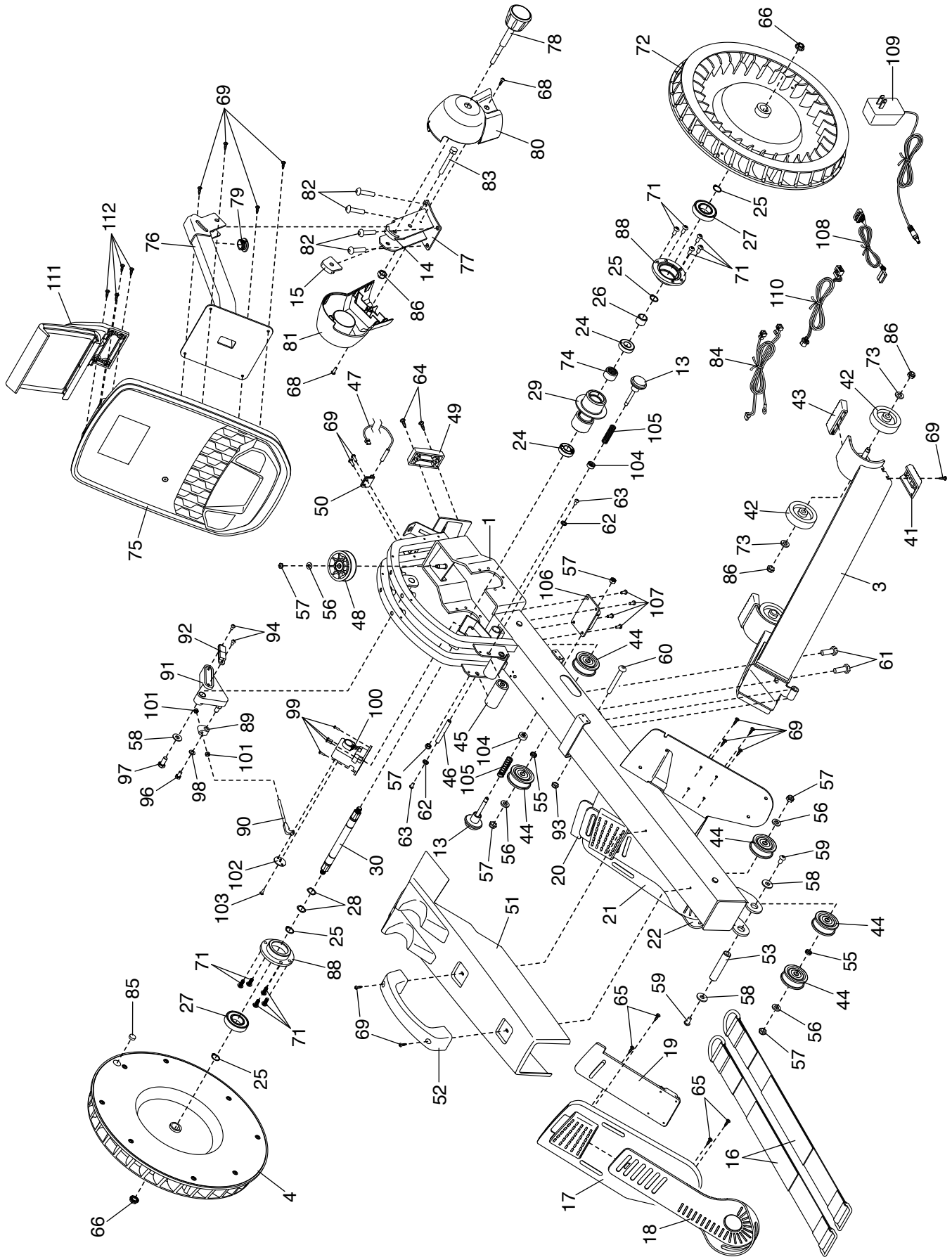


# EXPLODED DRAWING A

Model No. NTRW99147.1 R0419A



# EXPLODED DRAWING B

Model No. NTRW99147.1 R0419A

