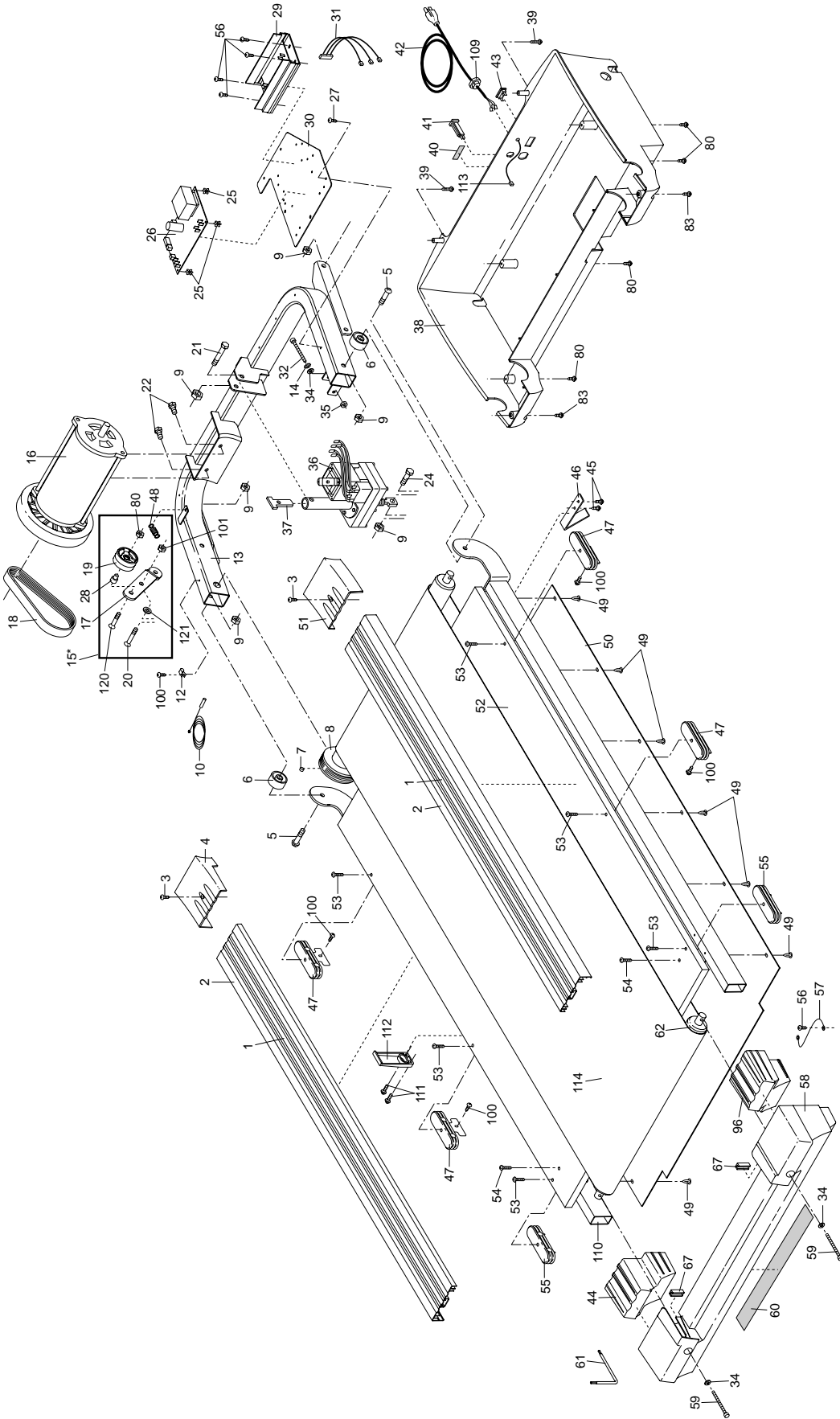


EXPLODED DRAWING—Model No. NTTL15993

R1200A



To identify the parts shown on this exploded drawing, refer to the PART LIST on pages 30 and 31 of the USER'S MANUAL.

EXPLODED DRAWING—Model No. NTTL15993

R1200A

