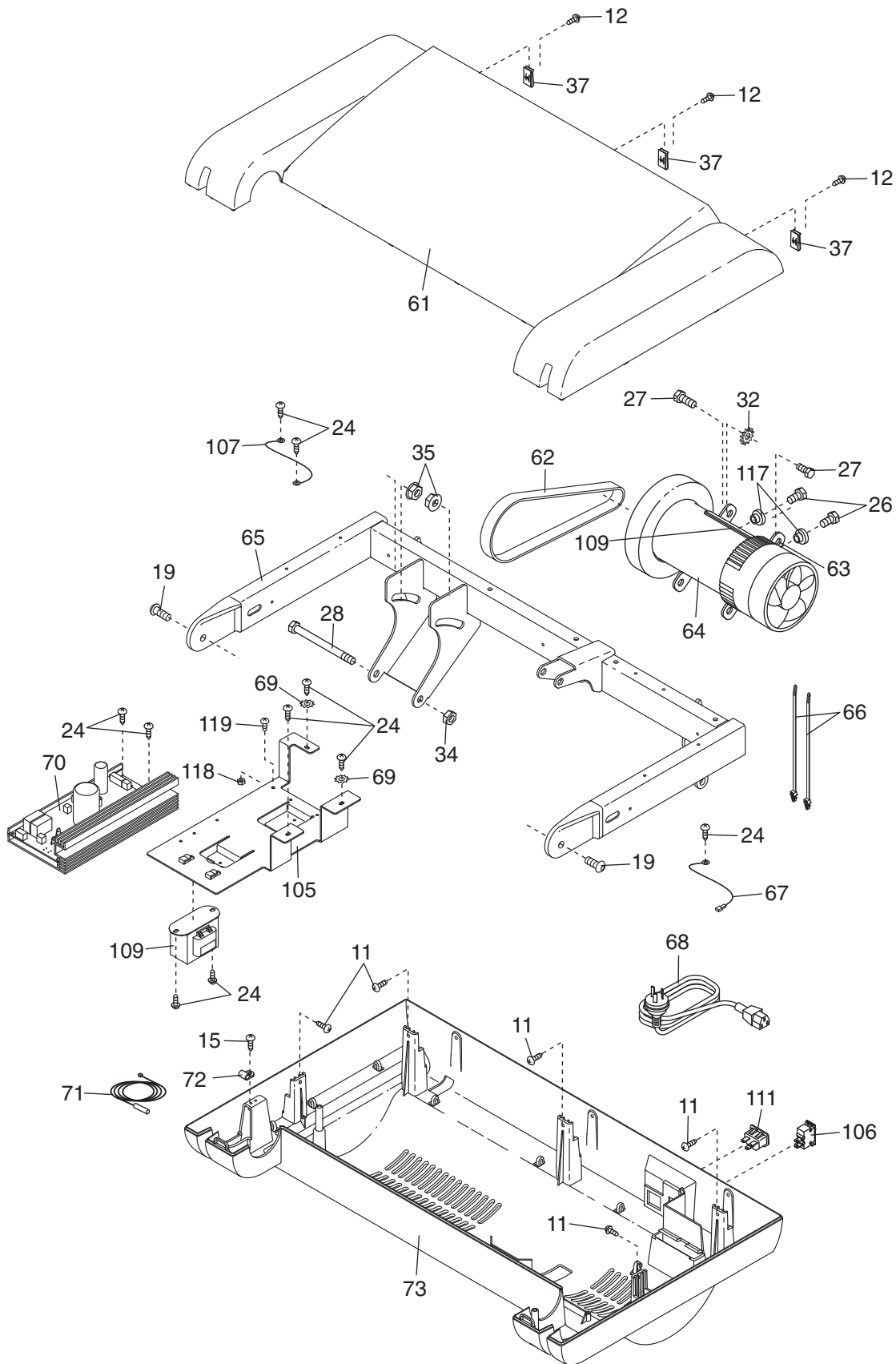


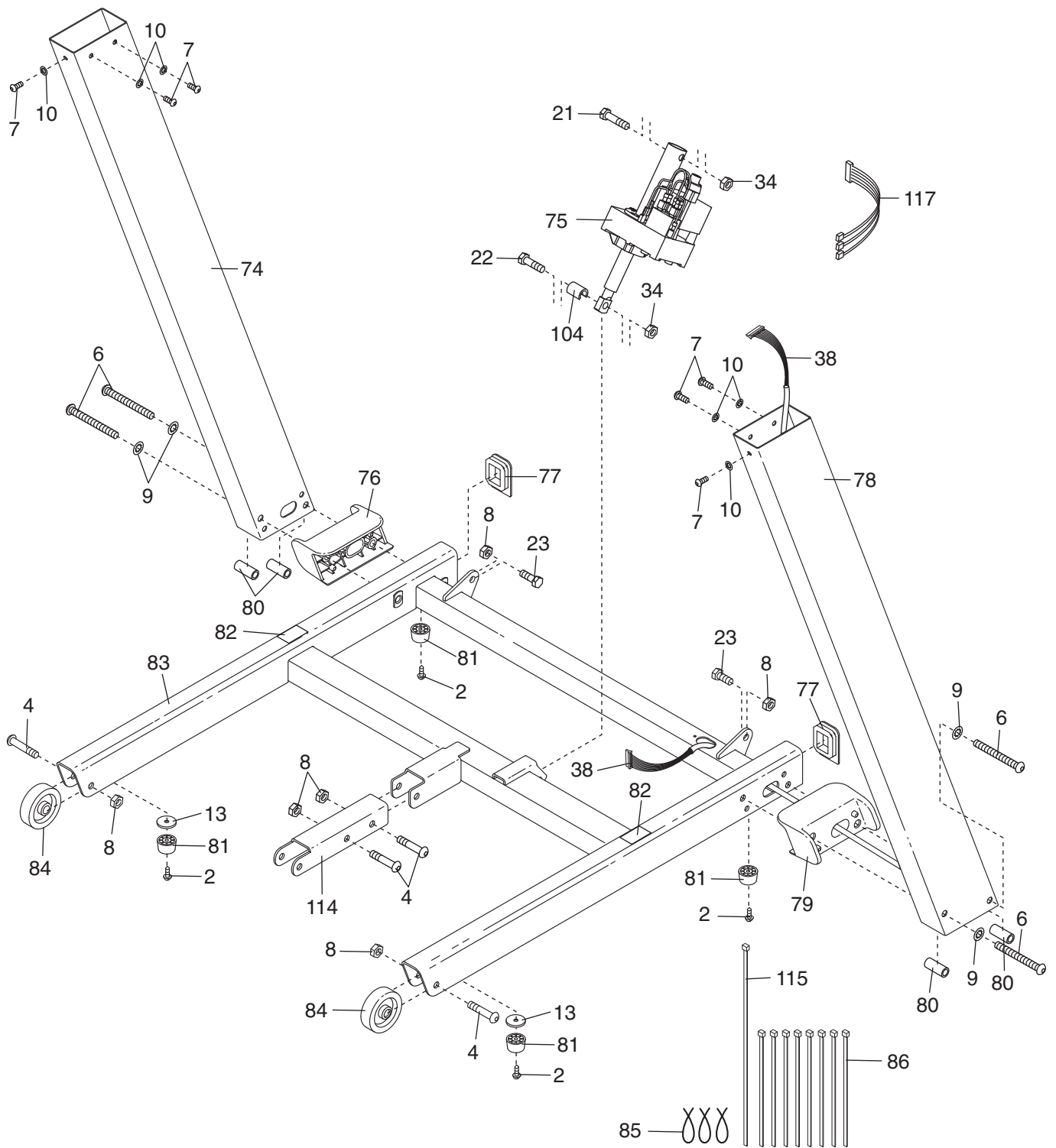
EXPLODED DRAWING B—Model No. PATL40707.0

R1007A



EXPLODED DRAWING C—Model No. PATL40707.0

R1007A



EXPLODED DRAWING D—Model No. PATL40707.0

R1007A

