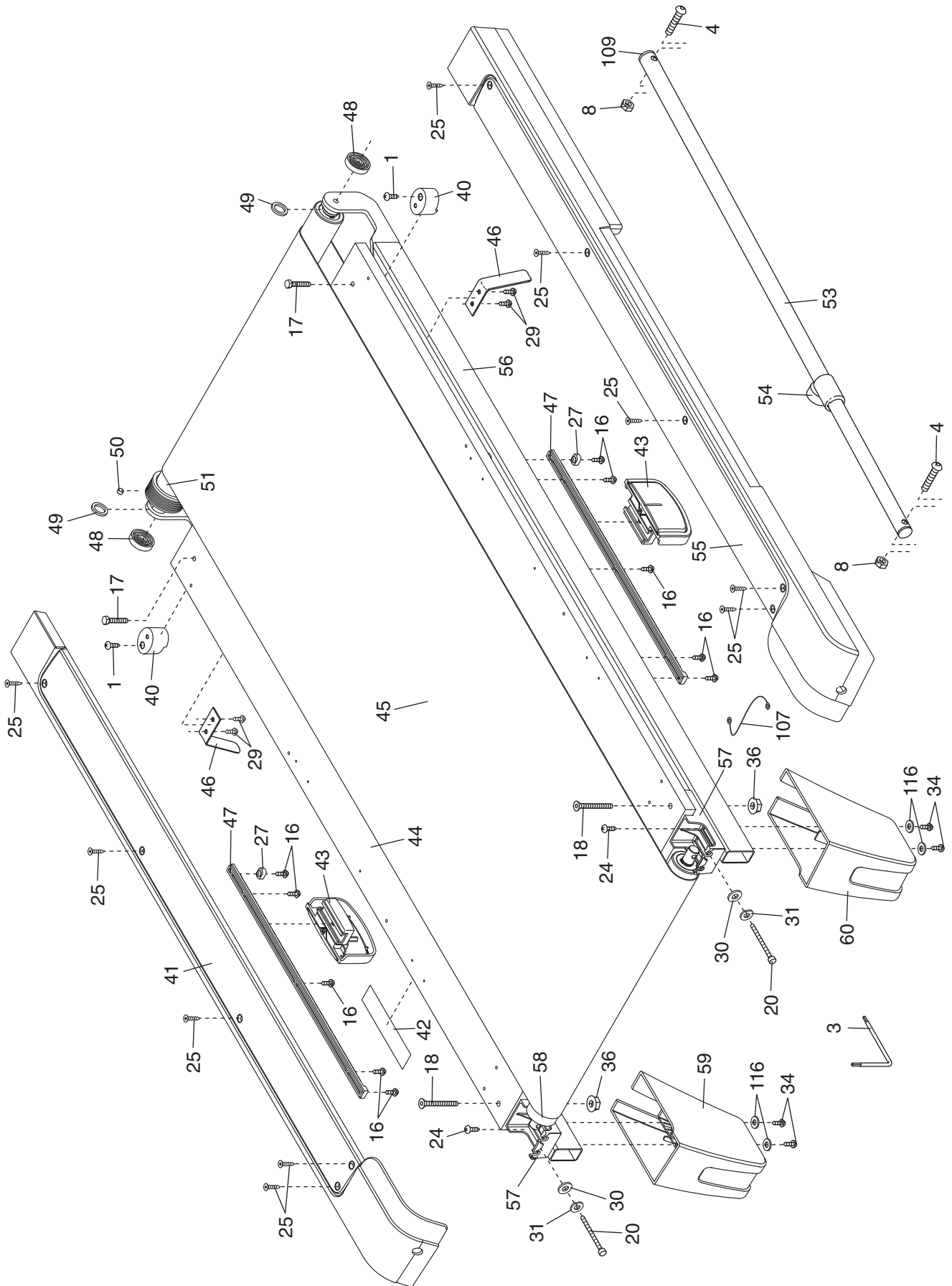


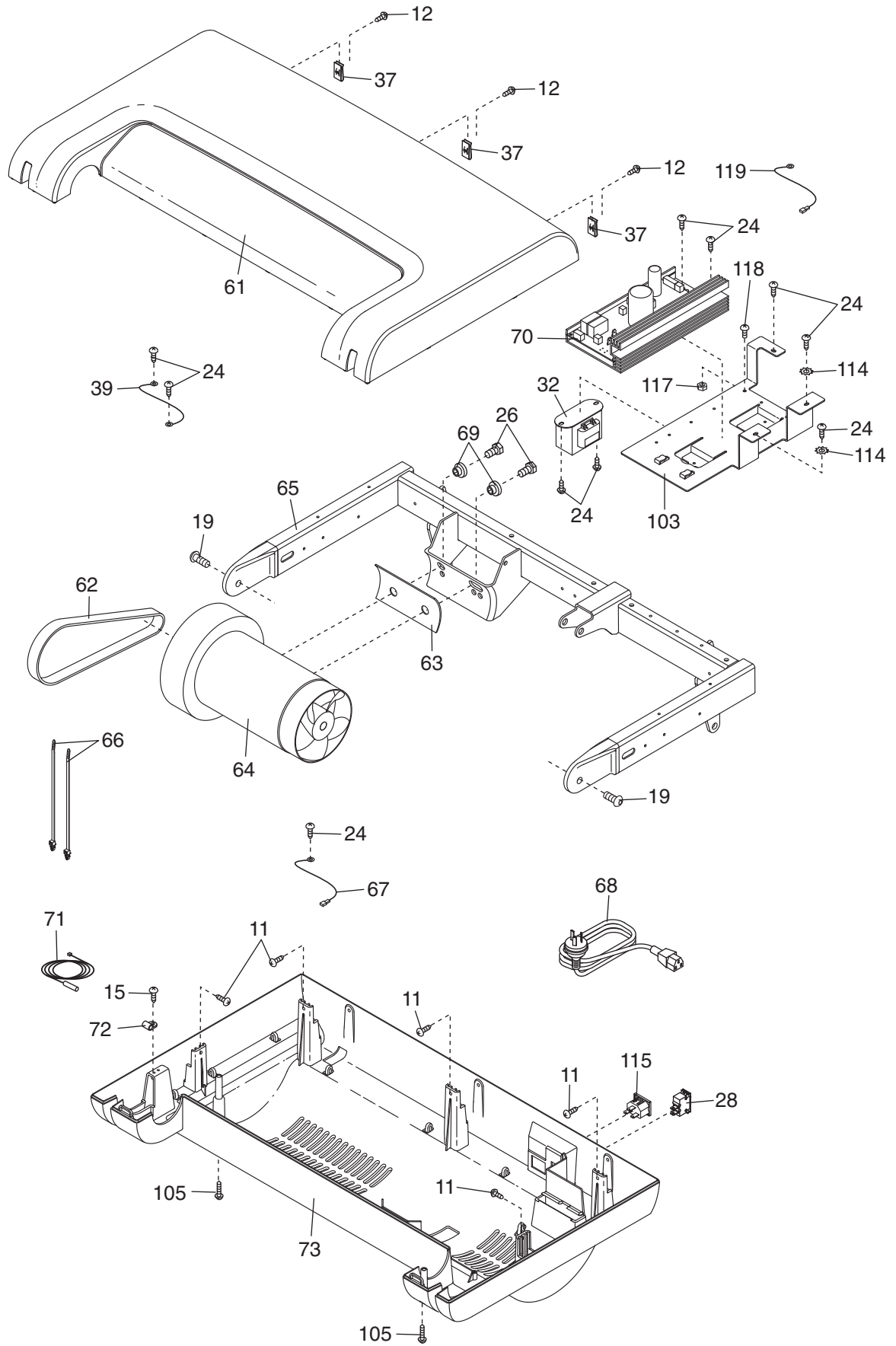
EXPLODED DRAWING A—Model No. PATL40907.0

R1207A



EXPLODED DRAWING B—Model No. PATL40907.0

R1207A



EXPLODED DRAWING D—Model No. PATL40907.0

R1207A

