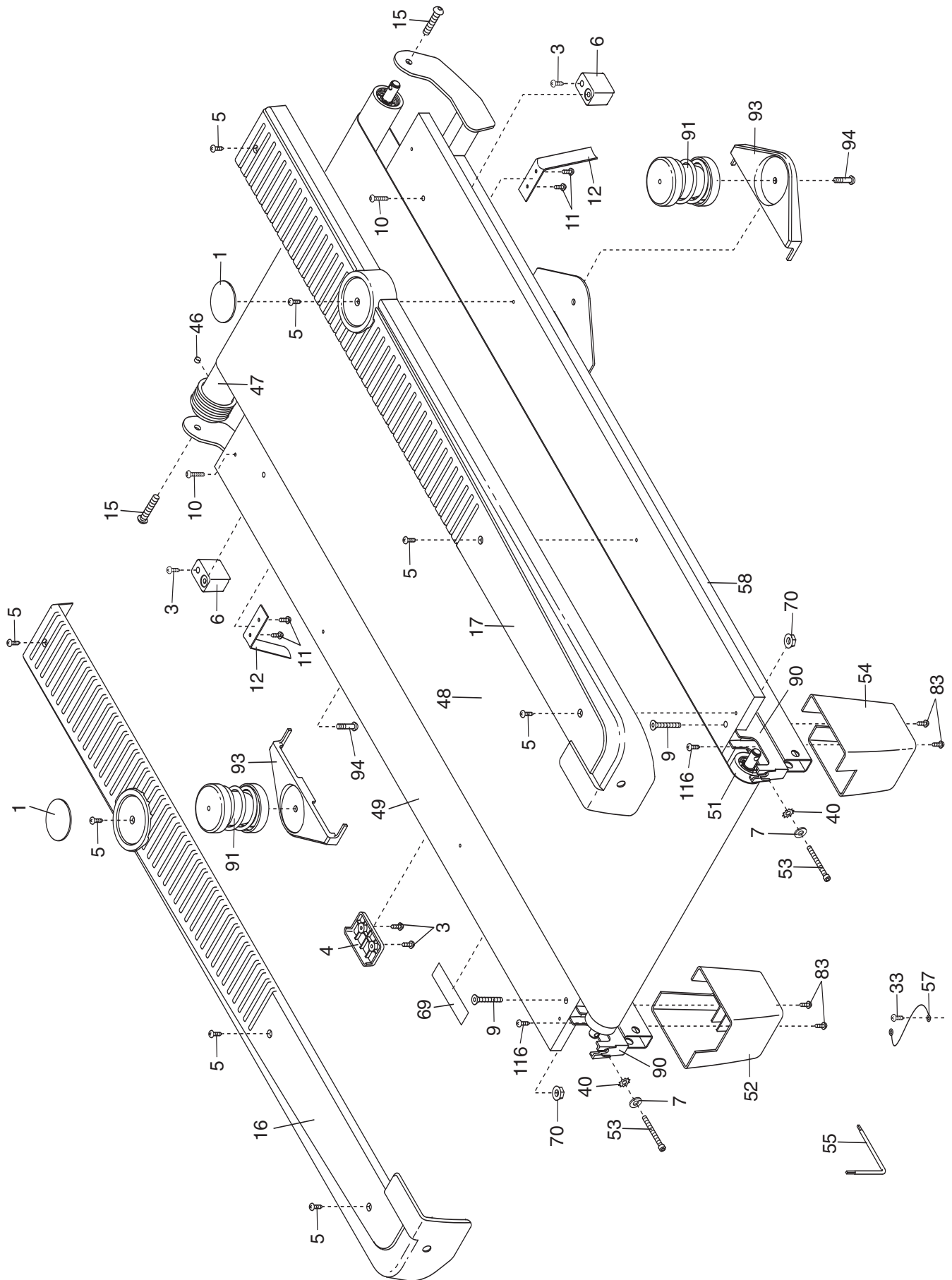


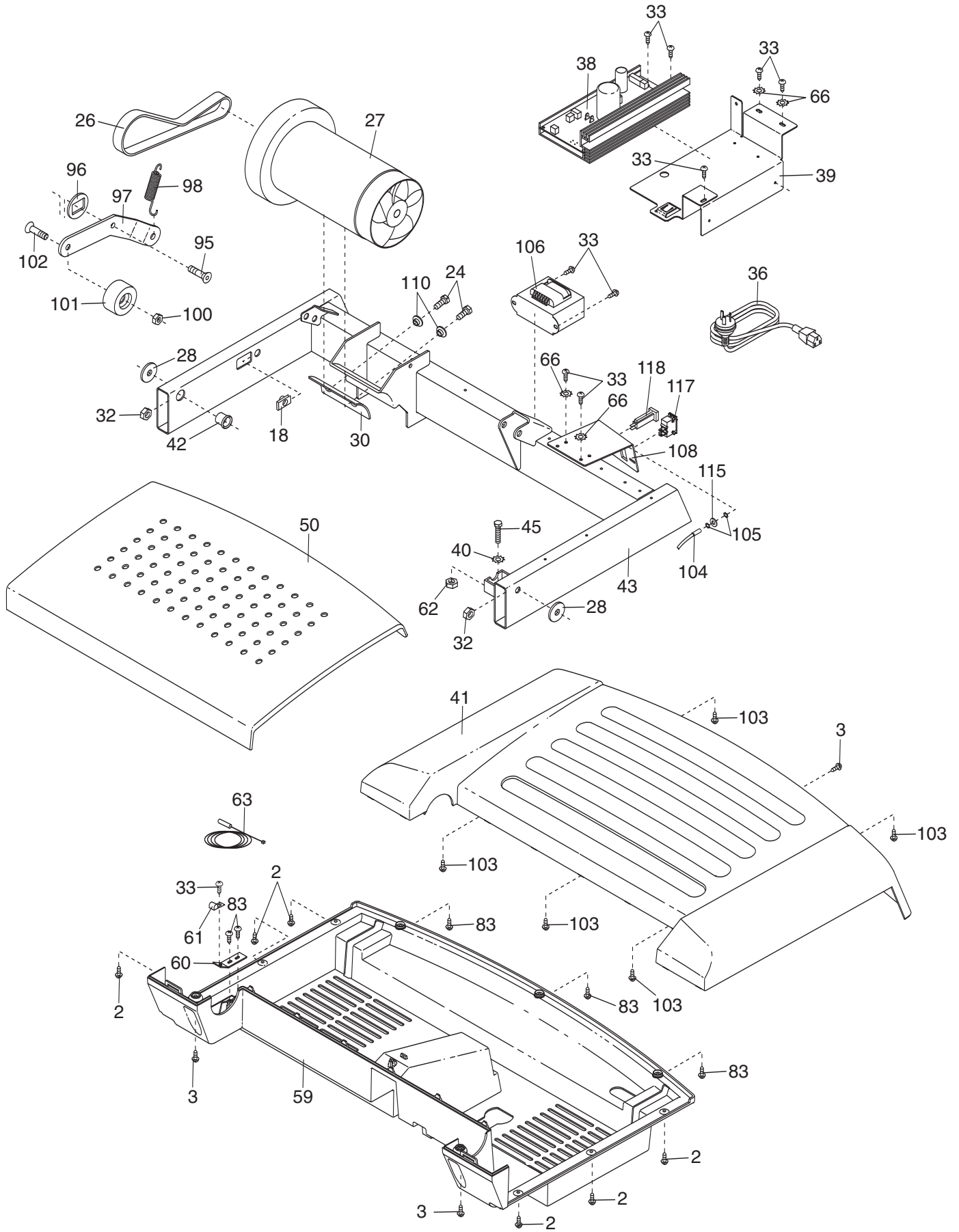
EXPLODED DRAWING A—Model No. PATL41306.0

R0906A



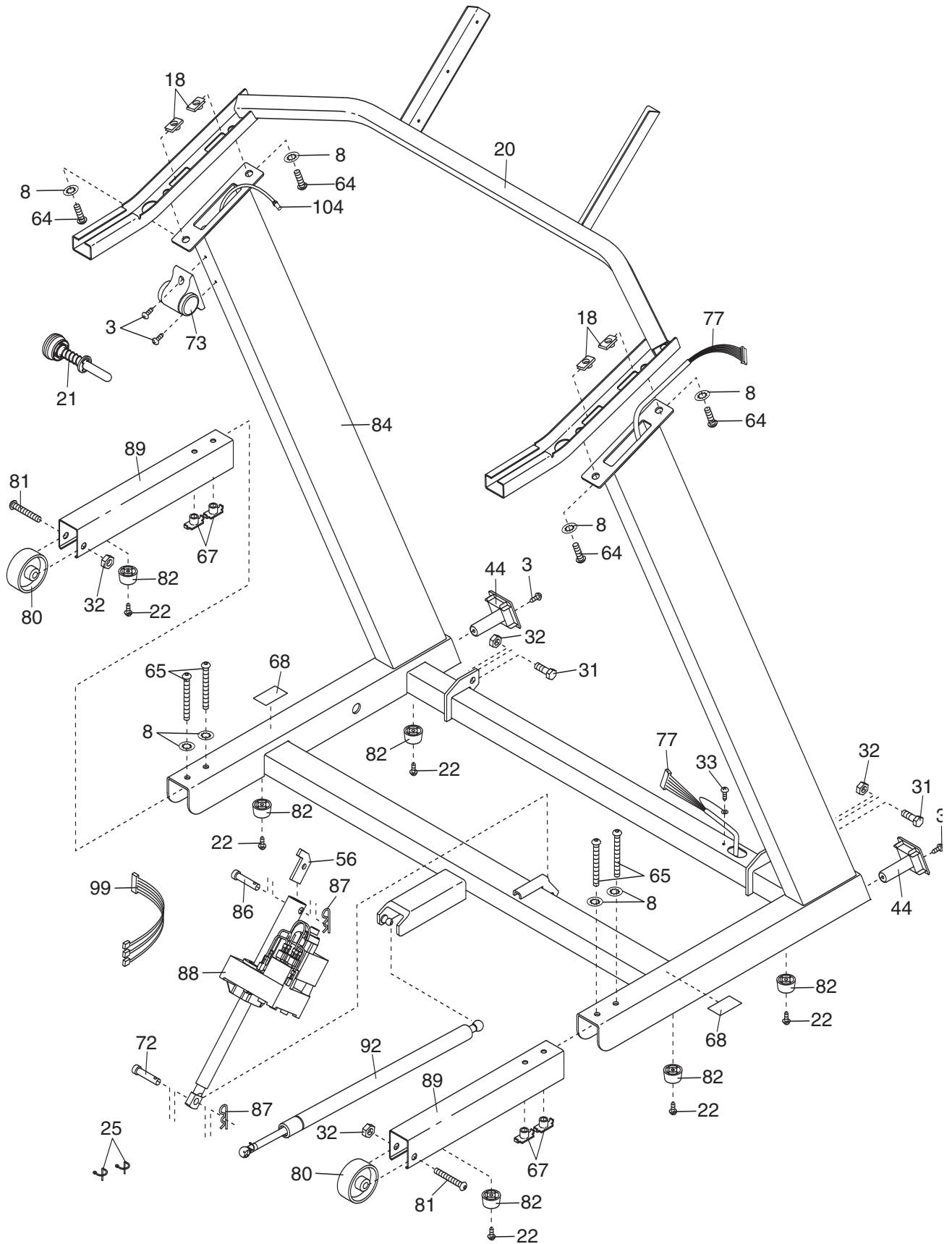
EXPLODED DRAWING B—Model No. PATL41306.0

R0906A



EXPLODED DRAWING C—Model No. PATL41306.0

R0906A



EXPLODED DRAWING D—Model No. PATL41306.0

R0906A

