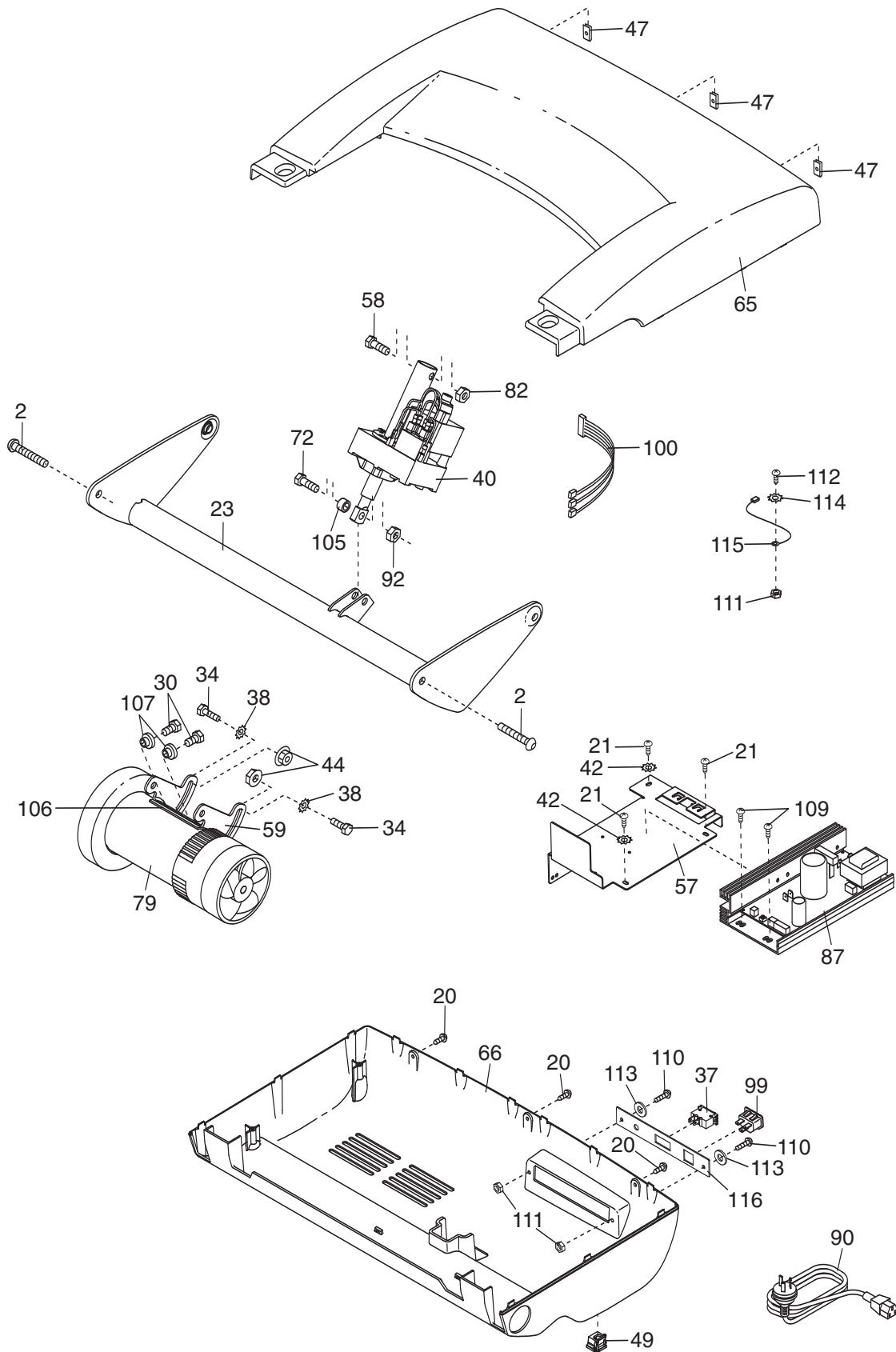


EXPLODED DRAWING B—Model No. PATL50707.0

R0907A



EXPLODED DRAWING C—Model No. PATL50707.0

R0907A

