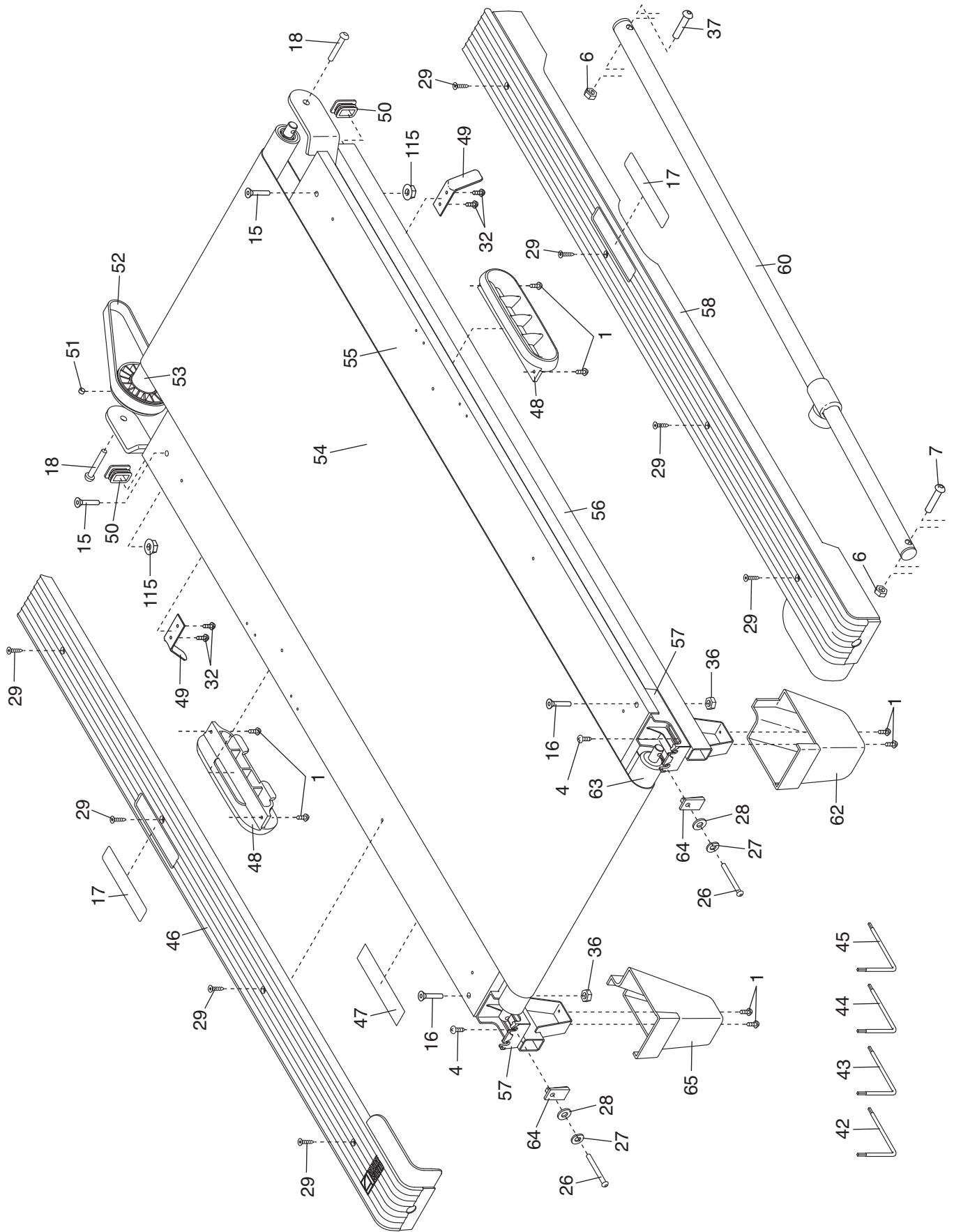


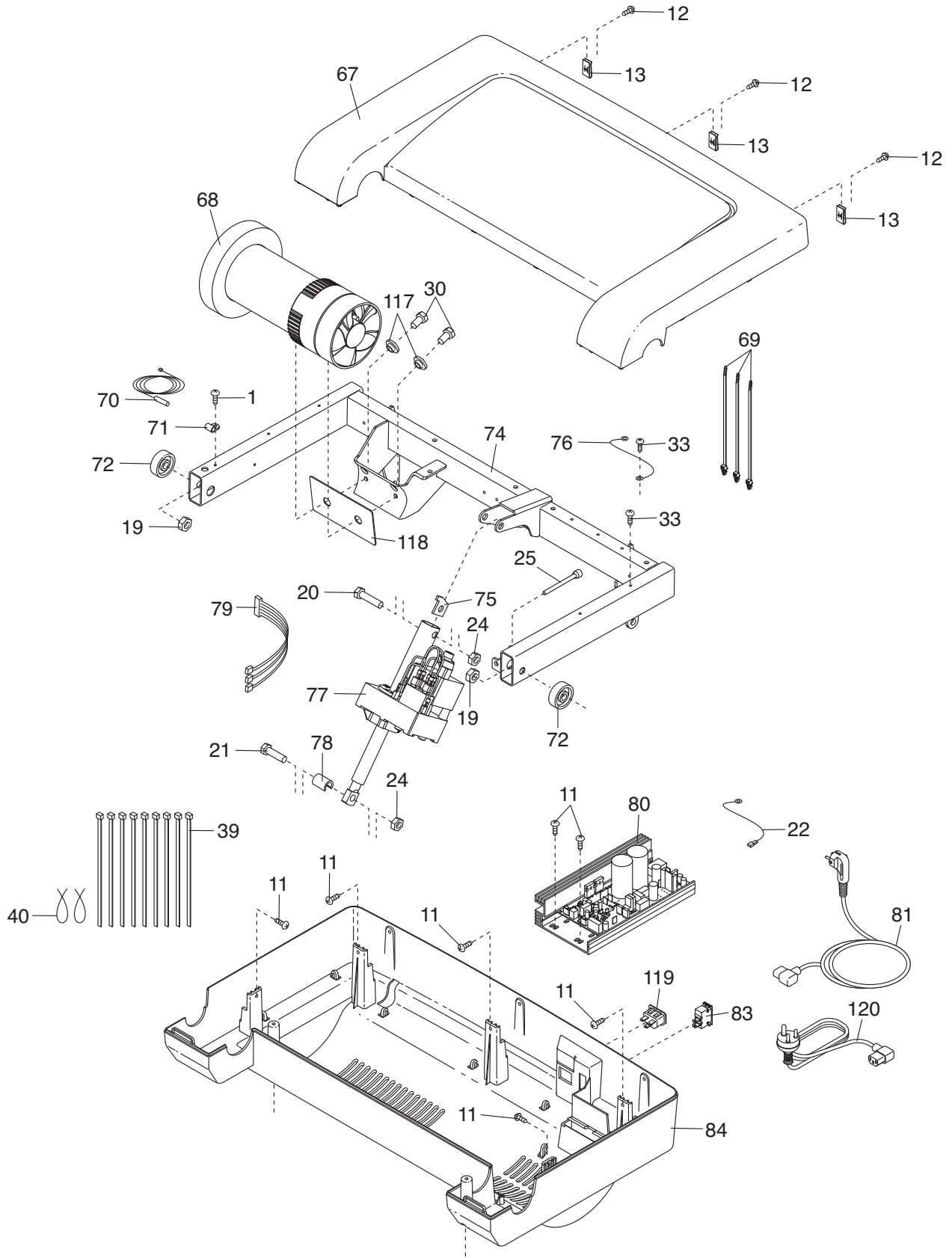
# EXPLODED DRAWING A

Model No. PATL59910.0 R0611A



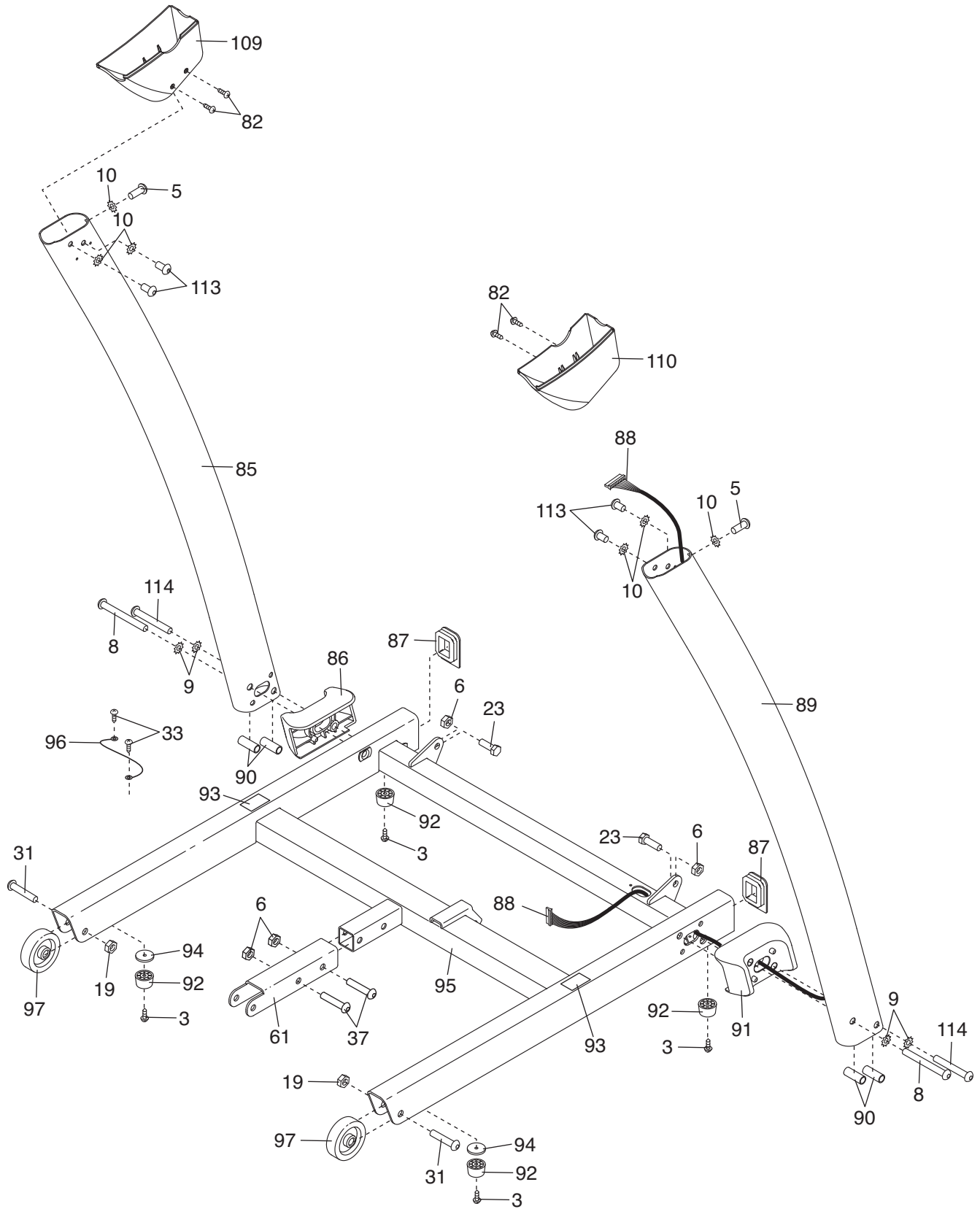
# EXPLODED DRAWING B

Model No. PATL59910.0 R0611A



# EXPLODED DRAWING C

Model No. PATL59910.0 R0611A



# EXPLODED DRAWING D

Model No. PATL59910.0 R0611A

