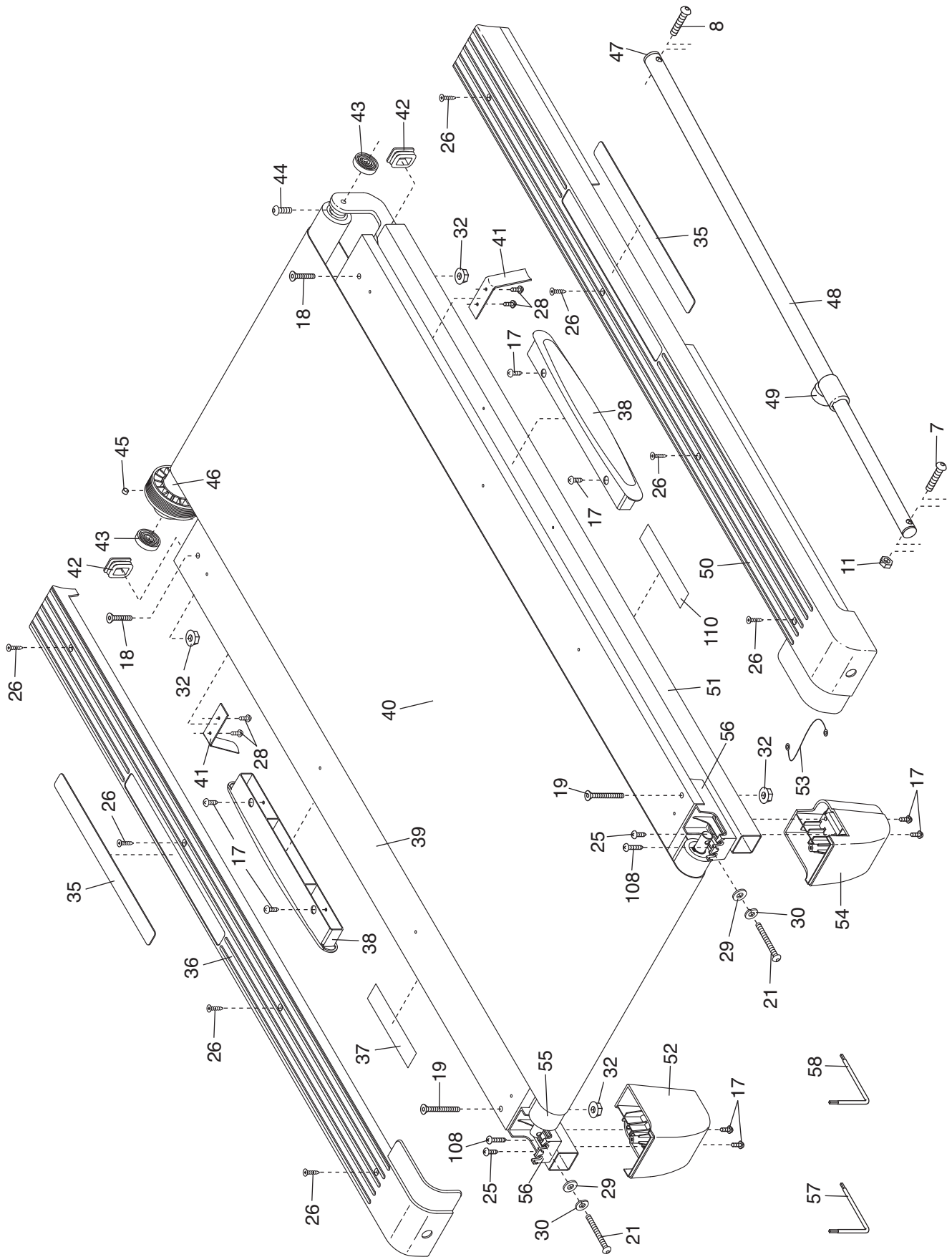


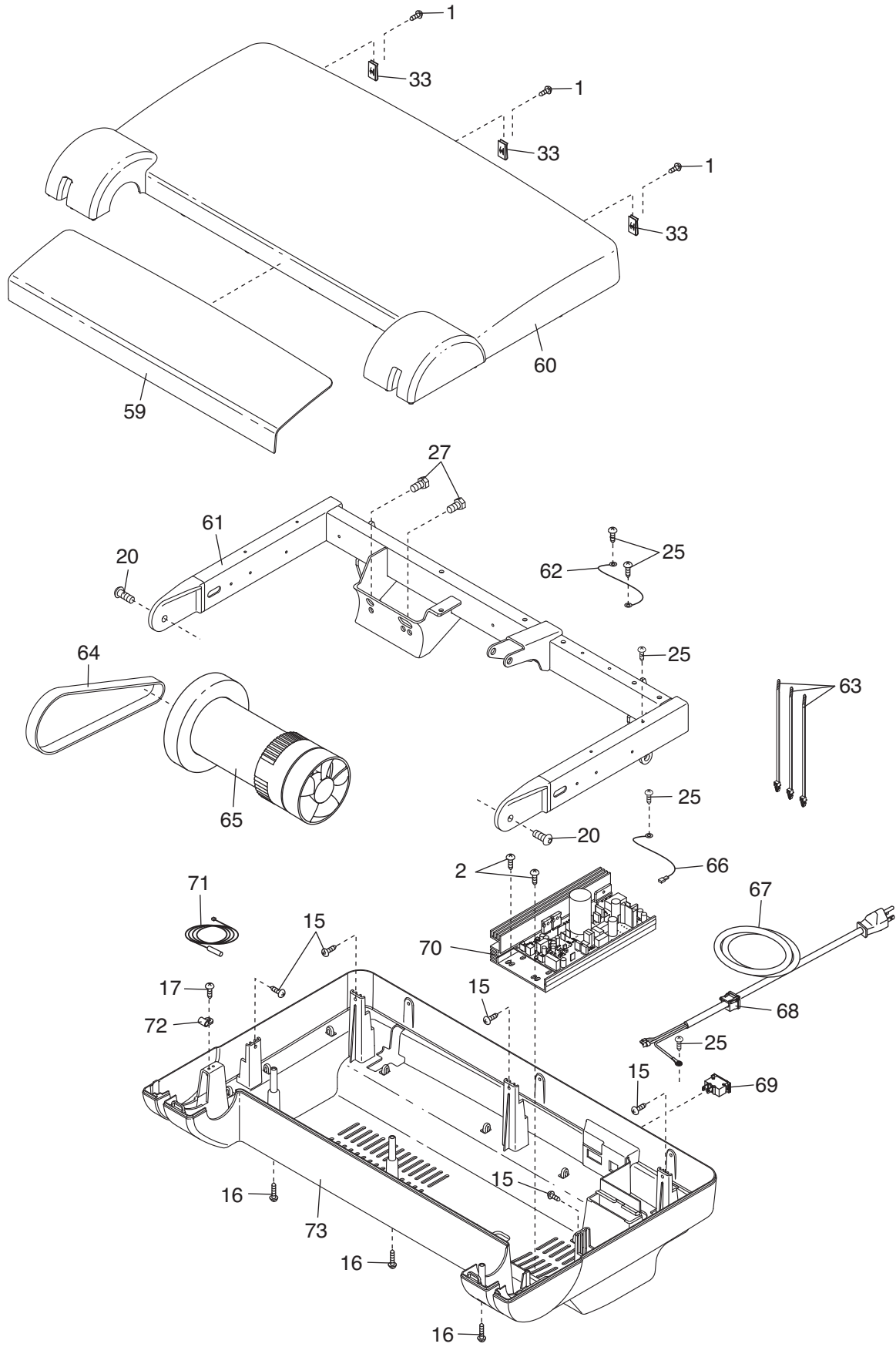
EXPLODED DRAWING A—Model No. PCTL04509.0

R1109A



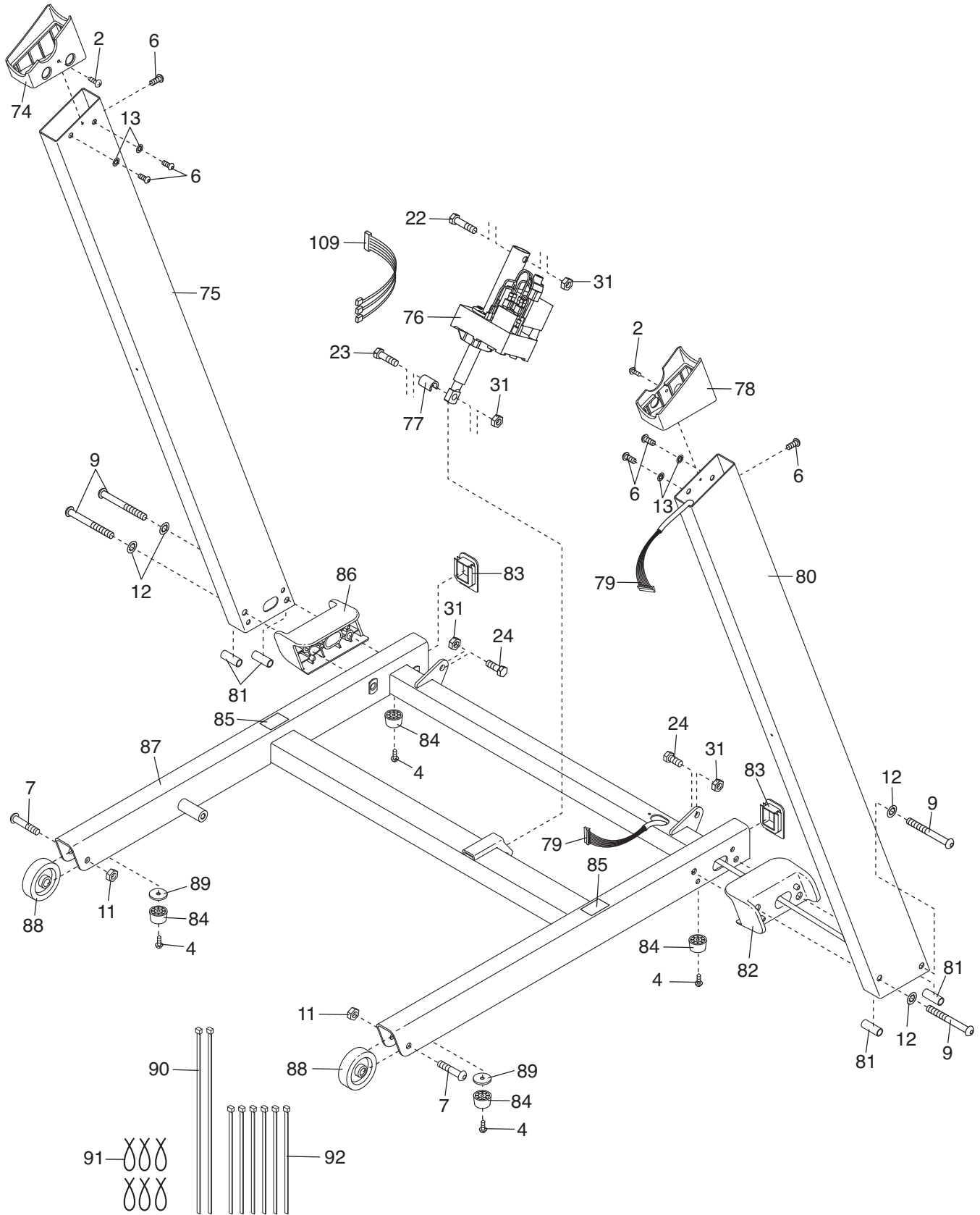
EXPLODED DRAWING B—Model No. PCTL04509.0

R1109A



EXPLODED DRAWING C—Model No. PCTL04509.0

R1109A



EXPLODED DRAWING D—Model No. PCTL04509.0

R1109A

