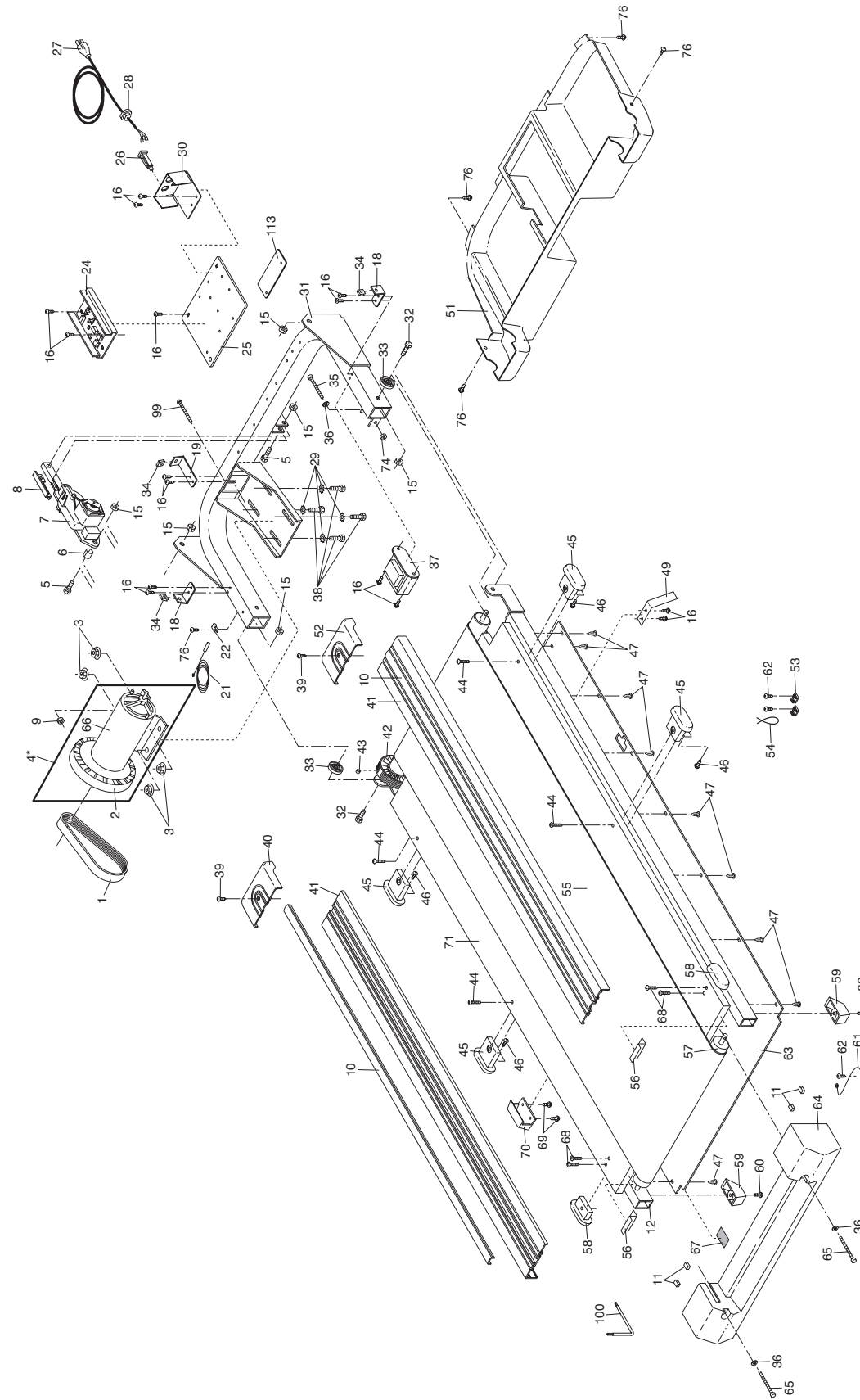


EXPLODED DRAWING—Model No. PFTL49490

R0799A



To identify the parts shown on this exploded drawing, refer to the PART LIST on page 15 of the USER'S MANUAL.

EXPLODED DRAWING—Model No. PFTL49490

R0799A

