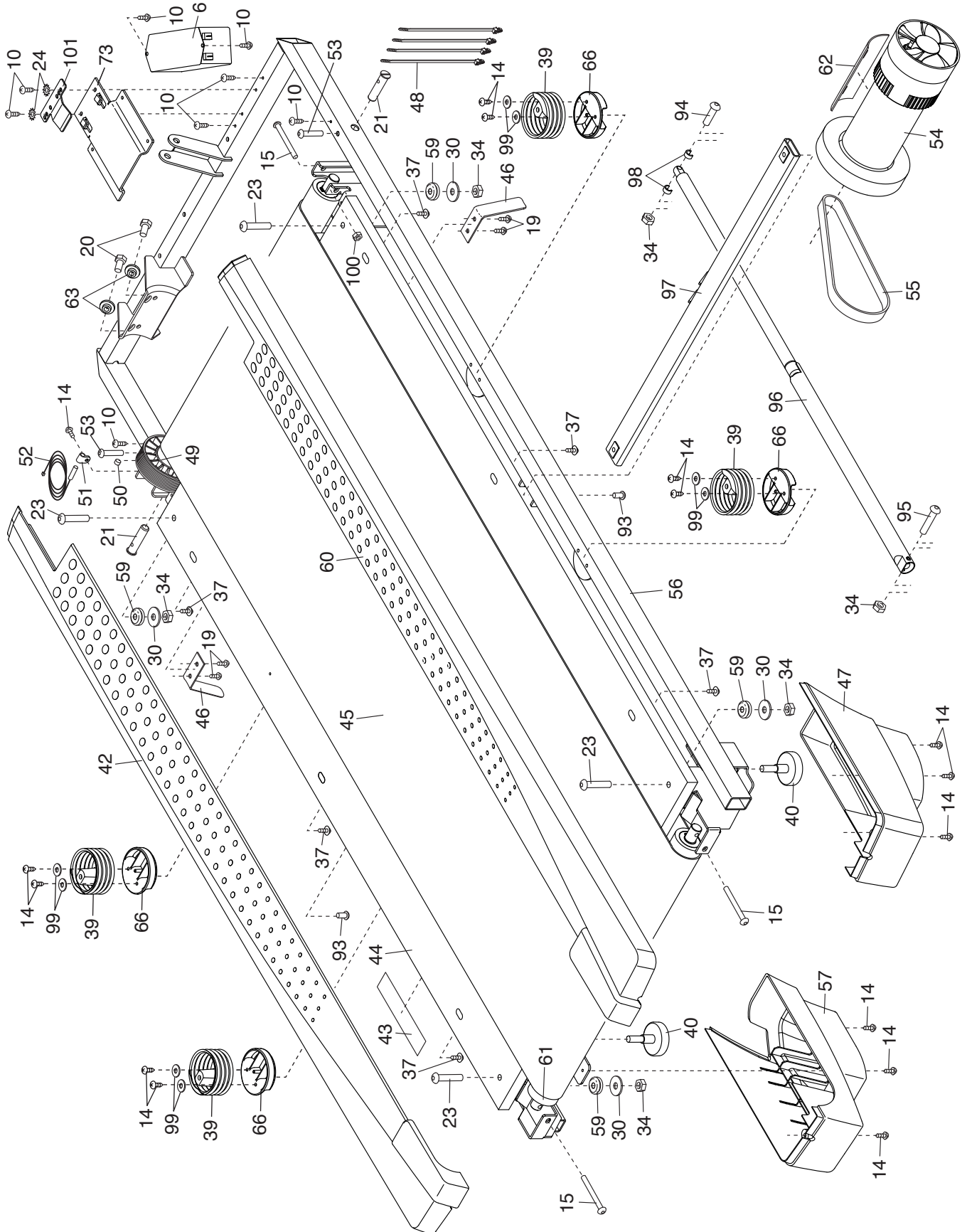


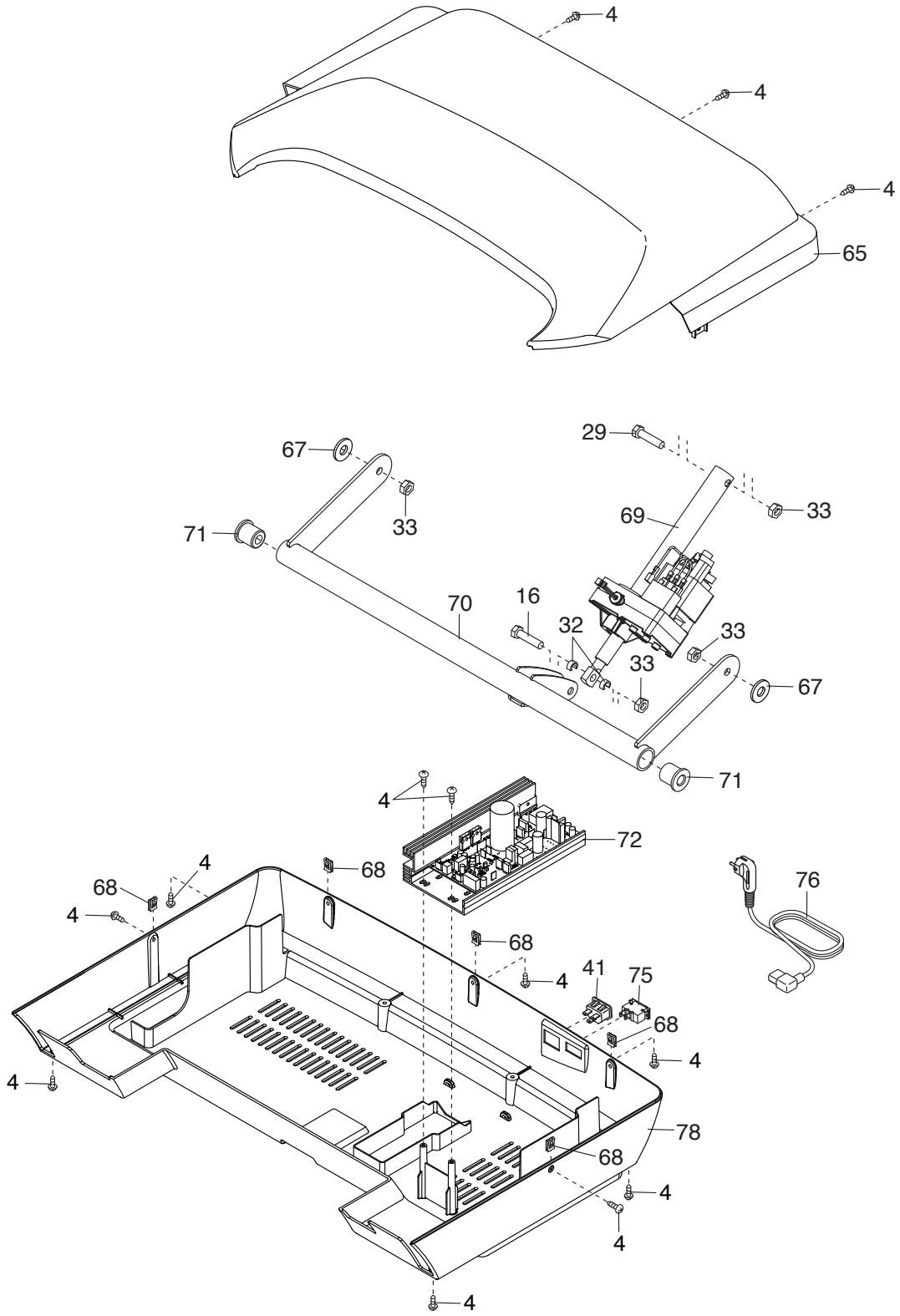
# EXPLODED DRAWING A

Model No. PETL10714.2 R0415A



# EXPLODED DRAWING B

Model No. PETL10714.2 R0415A





# EXPLODED DRAWING D

Model No. PETL10714.2 R0415A

