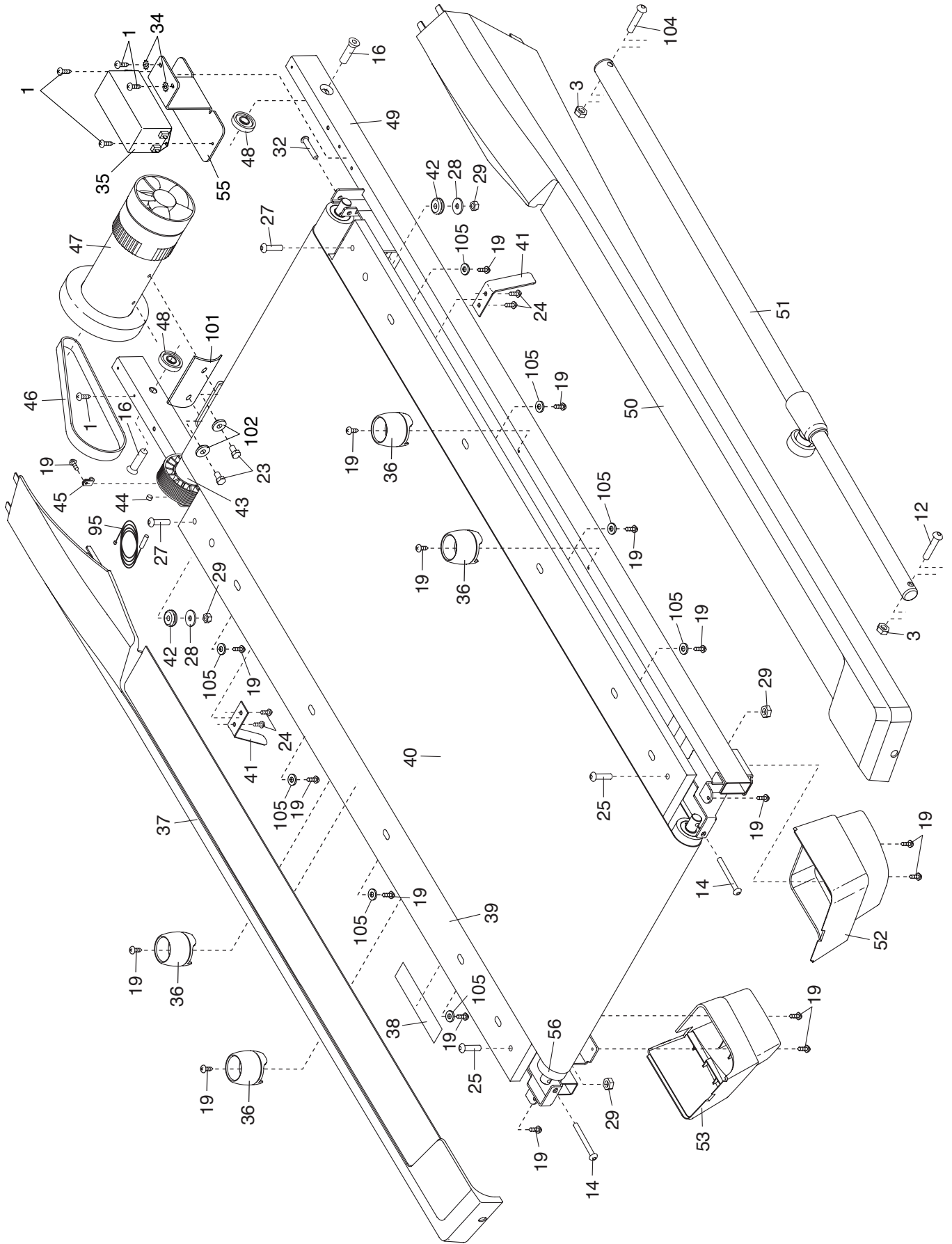


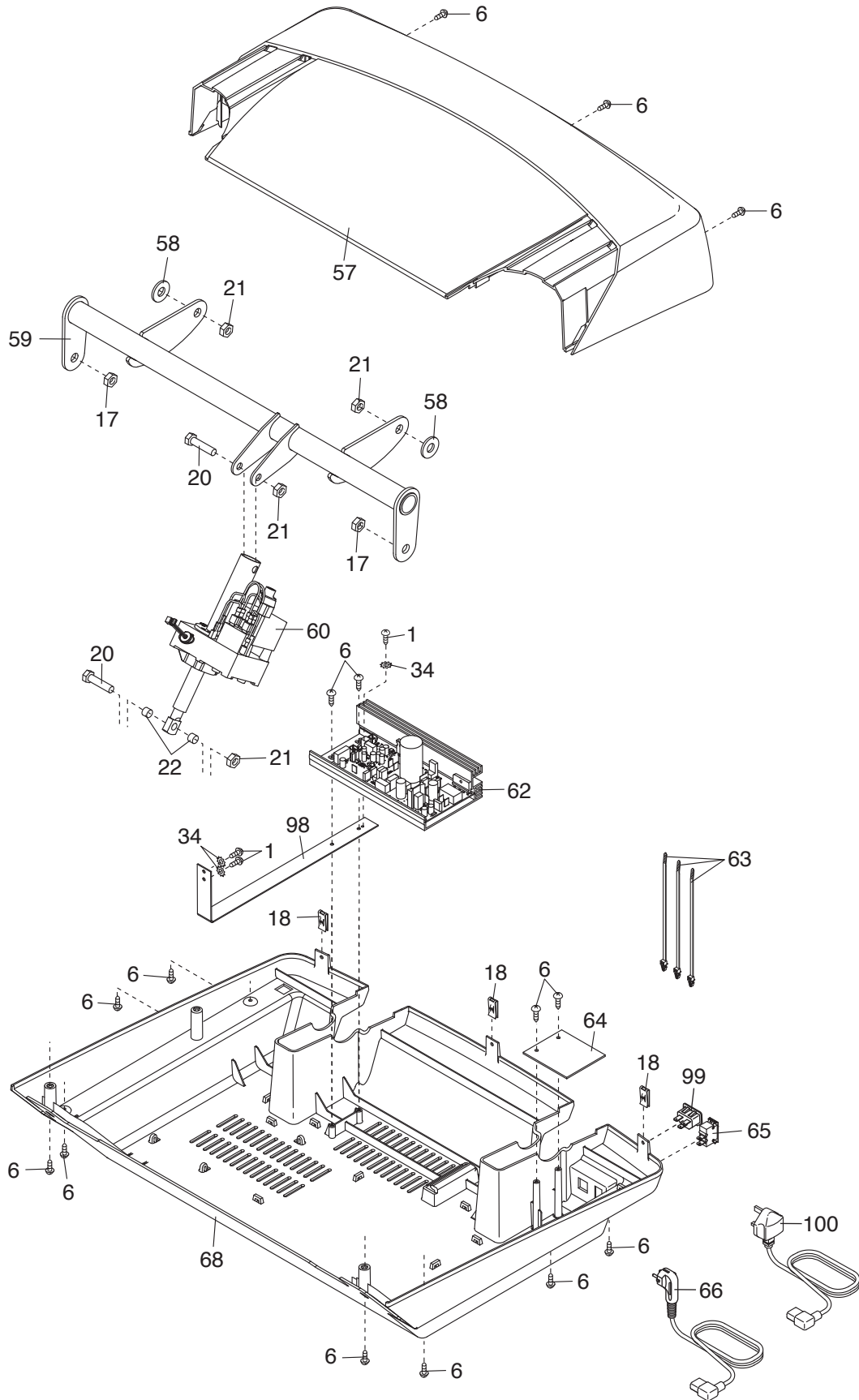
# EXPLODED DRAWING A

Model No. PETL10812.0 R0912A



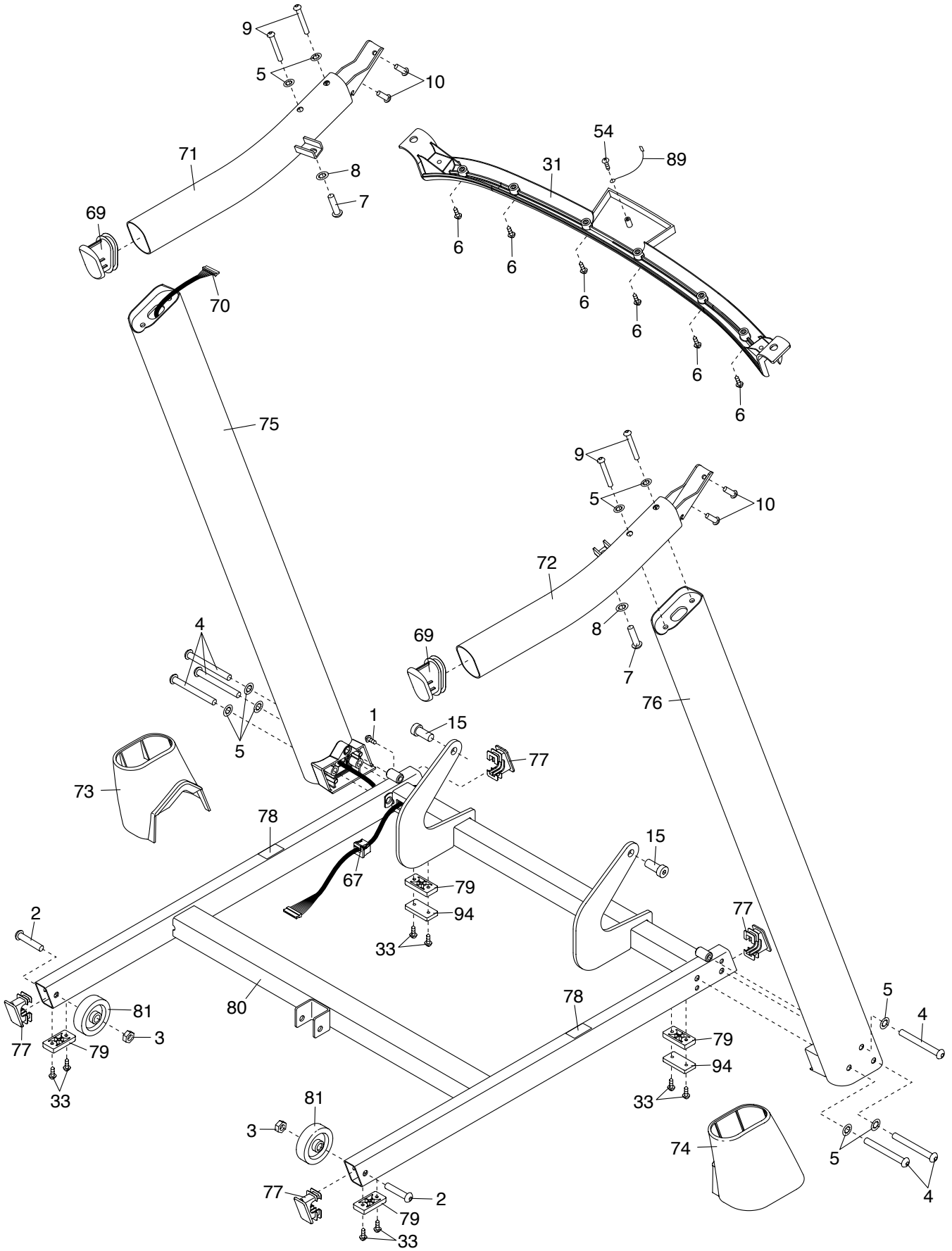
# EXPLODED DRAWING B

Model No. PETL10812.0 R0912A



# EXPLODED DRAWING C

Model No. PETL10812.0 R0912A



# EXPLODED DRAWING D

Model No. PETL10812.0 R0912A

