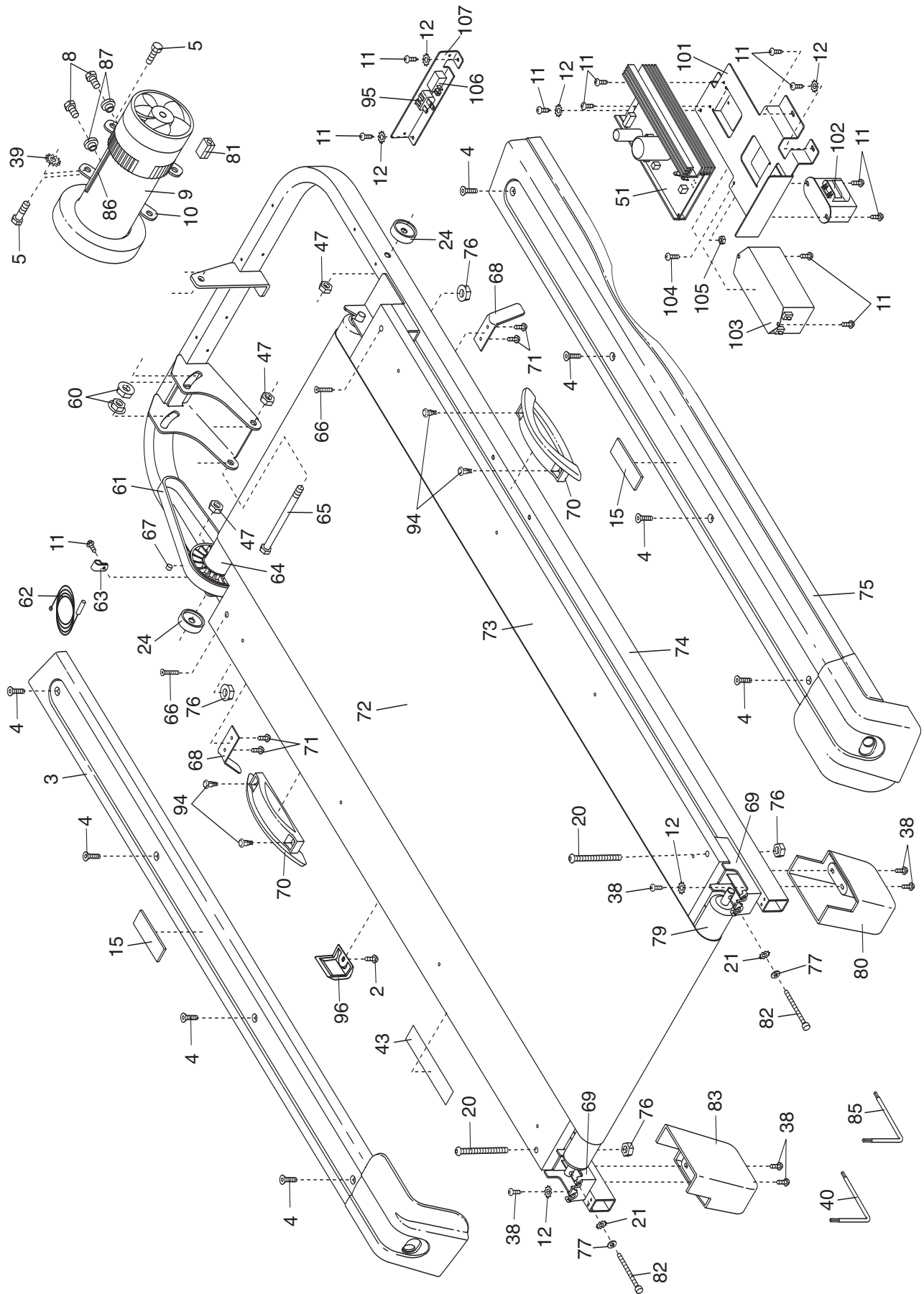


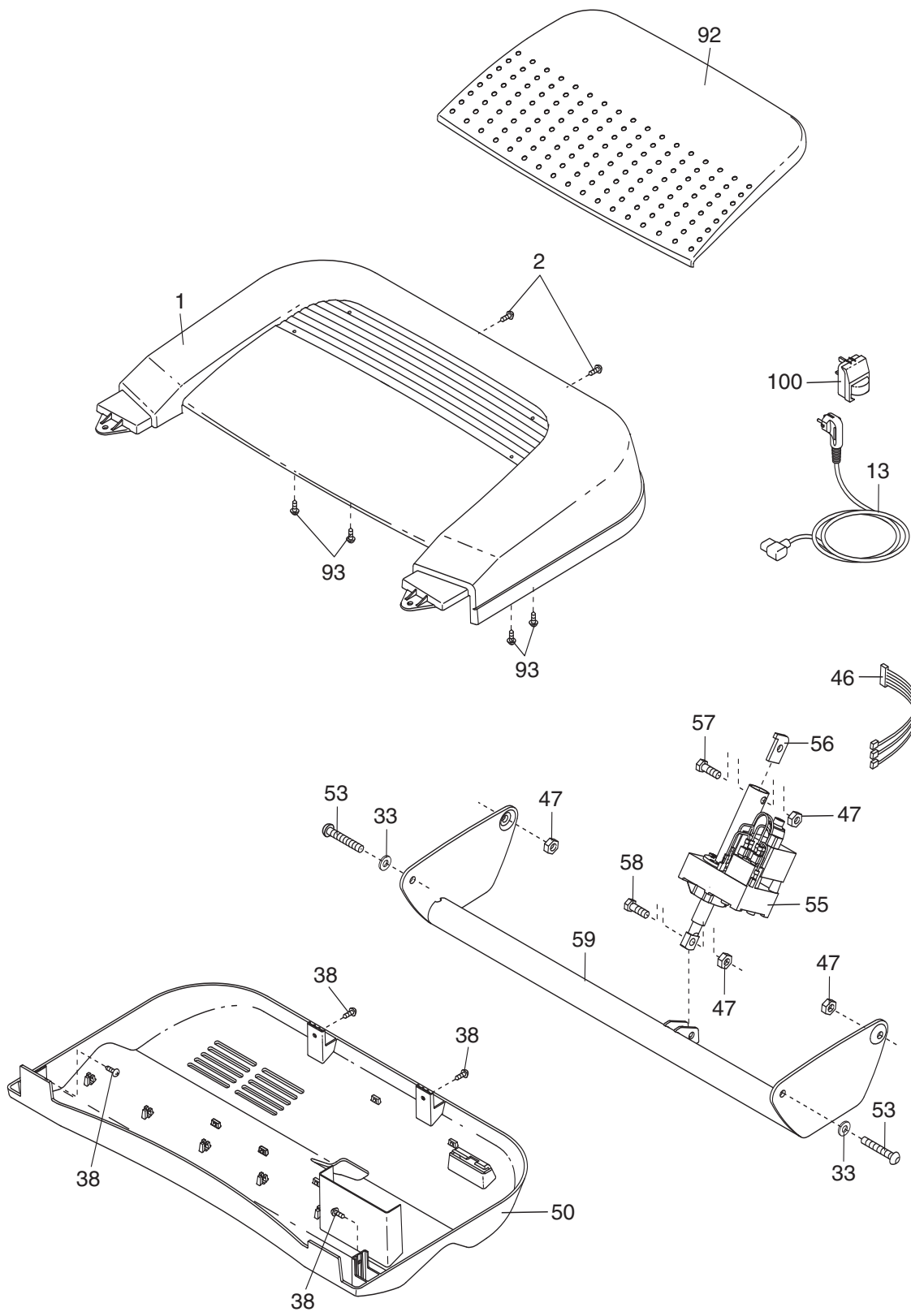
EXPLODED DRAWING A—Model No. PETL12707.0

R0907A



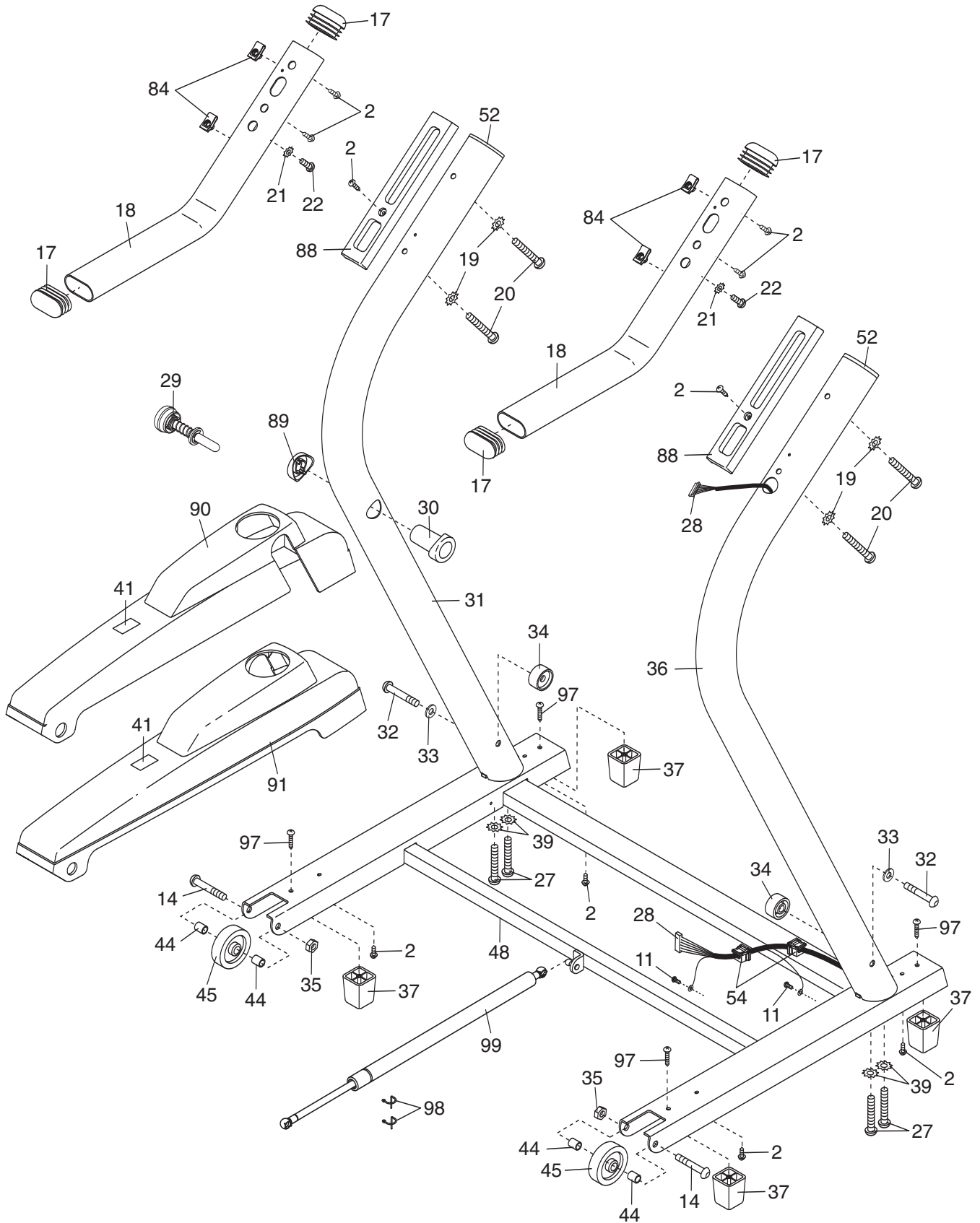
EXPLODED DRAWING B—Model No. PETL12707.0

R0907A



EXPLODED DRAWING C—Model No. PETL12707.0

R0907A



EXPLODED DRAWING D—Model No. PETL12707.0

R0907A

