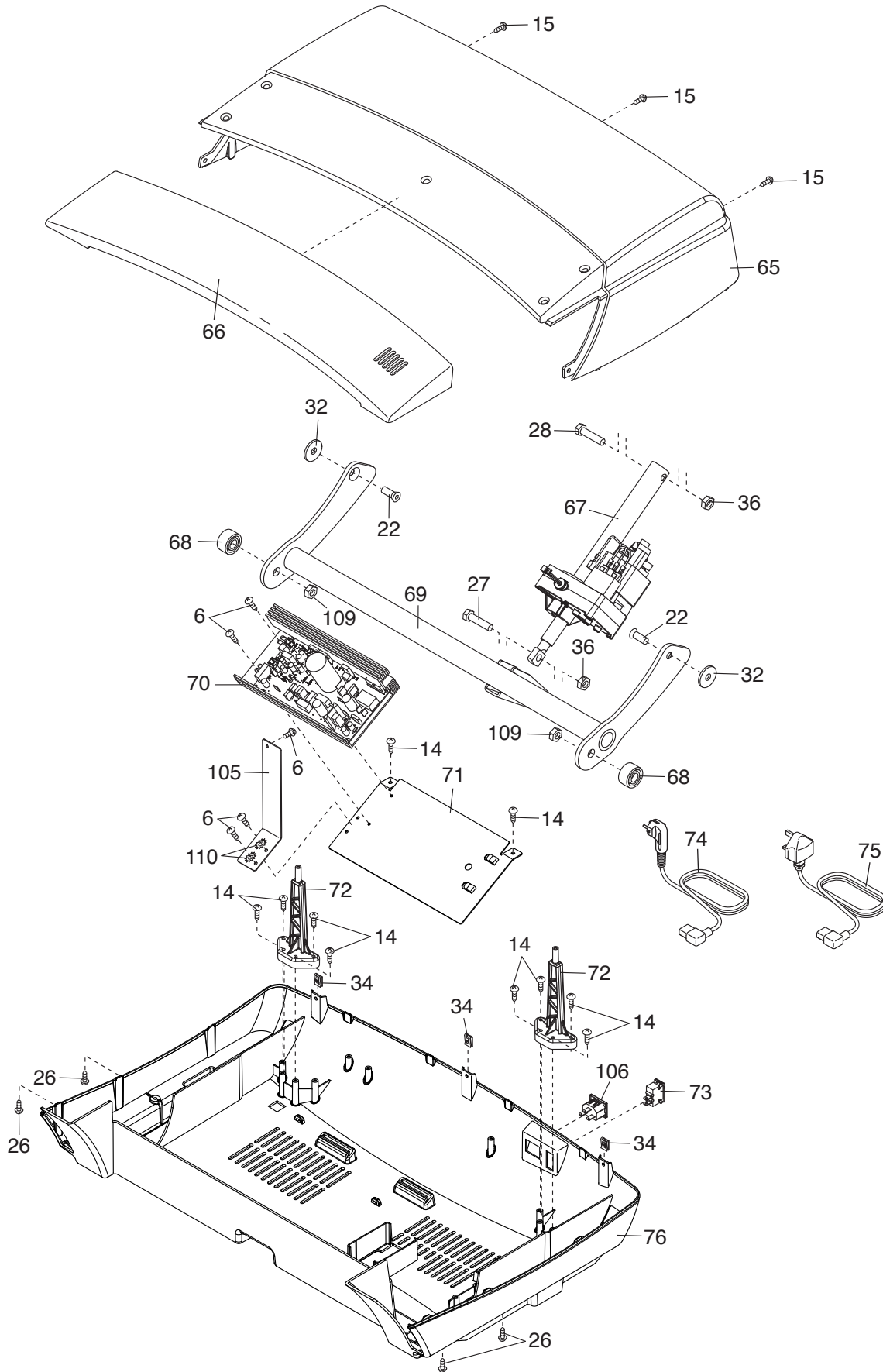


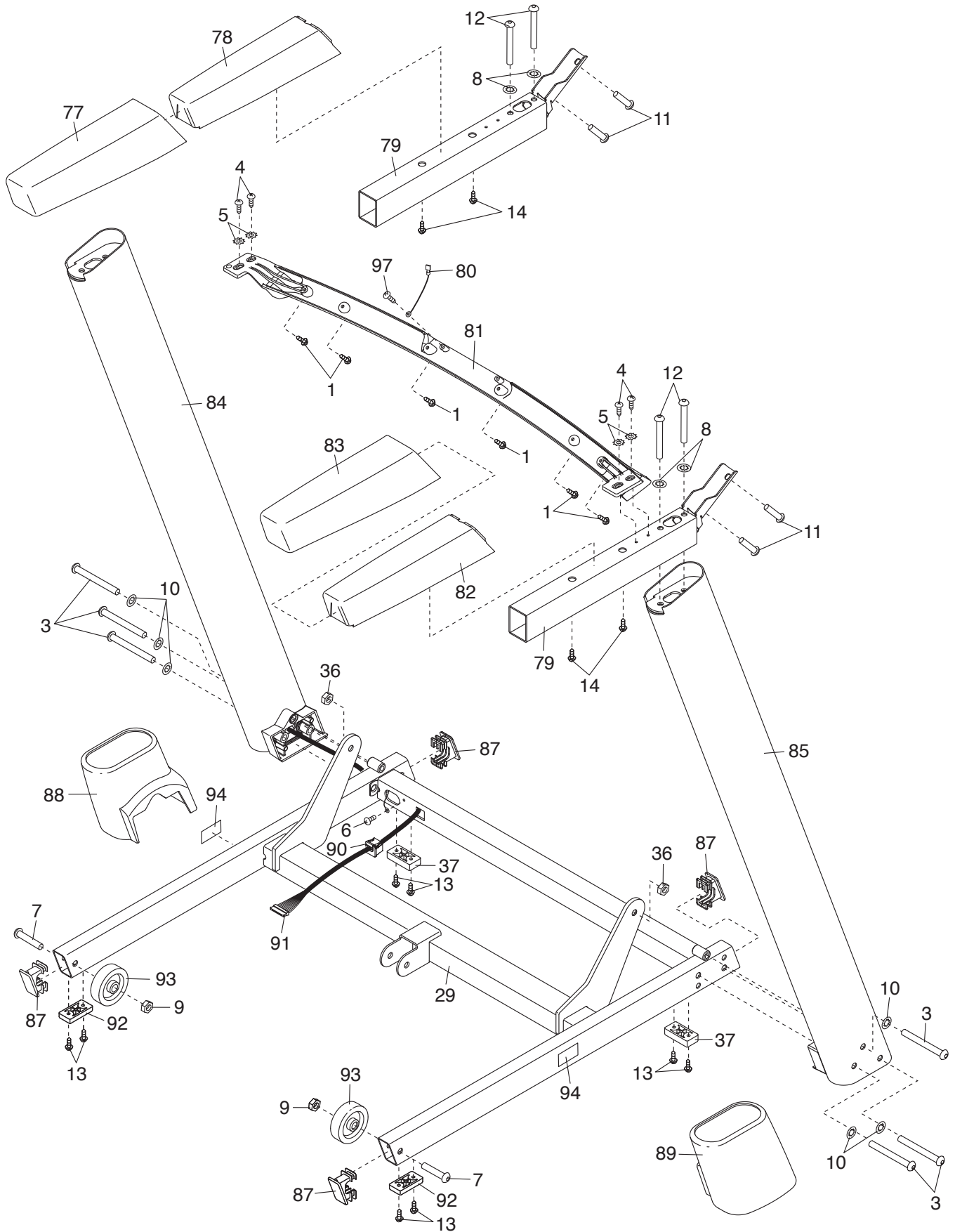
EXPLODED DRAWING B

Model No. PETL13012.0 R1212A



EXPLODED DRAWING C

Model No. PETL13012.0 R1212A



EXPLODED DRAWING D

Model No. PETL13012.0 R1212A

