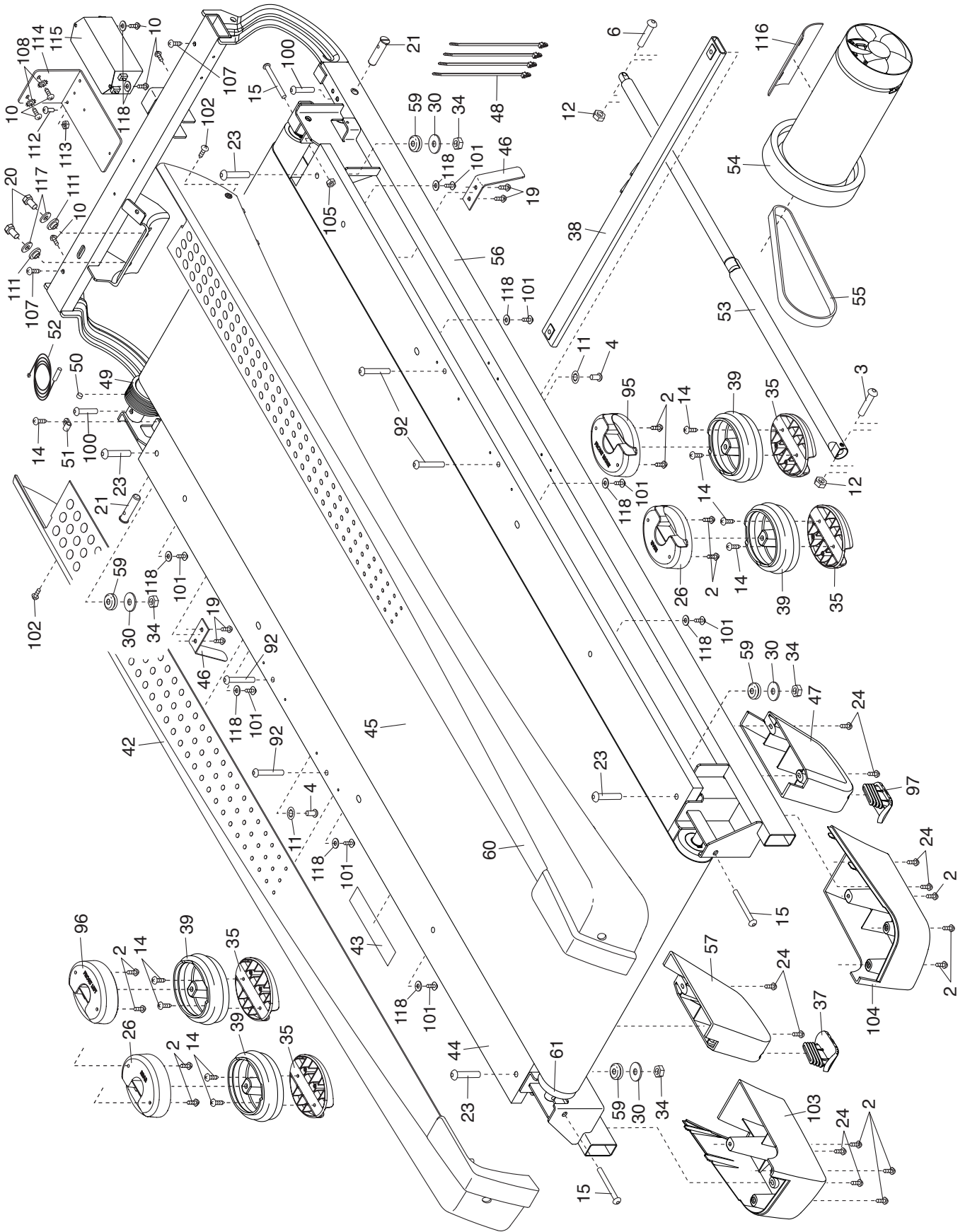


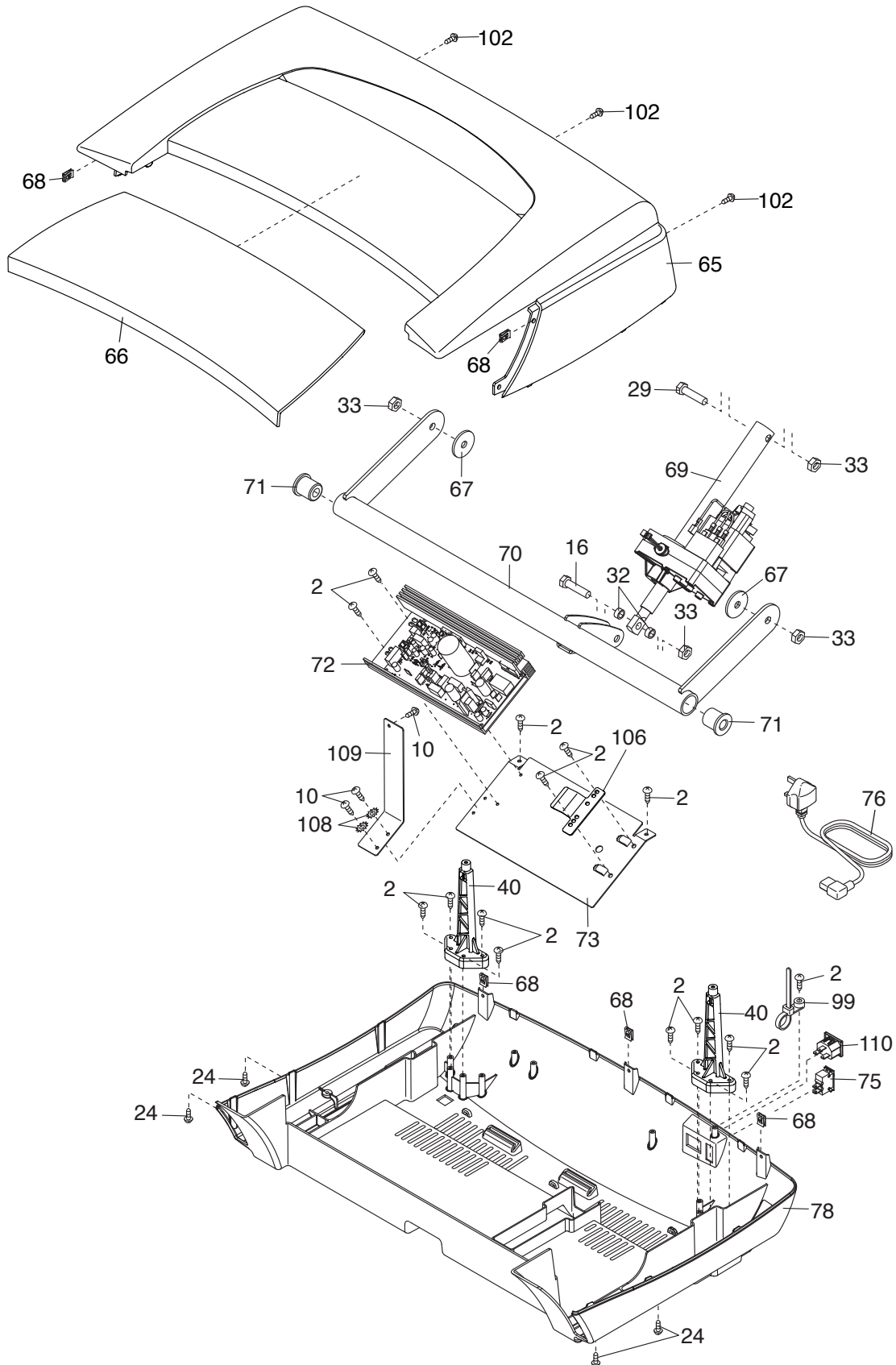
EXPLODED DRAWING A

Model No. PETL13015.3 R0317A



EXPLODED DRAWING B

Model No. PETL13015.3 R0317A



EXPLODED DRAWING D

Model No. PETL13015.3 R0317A

