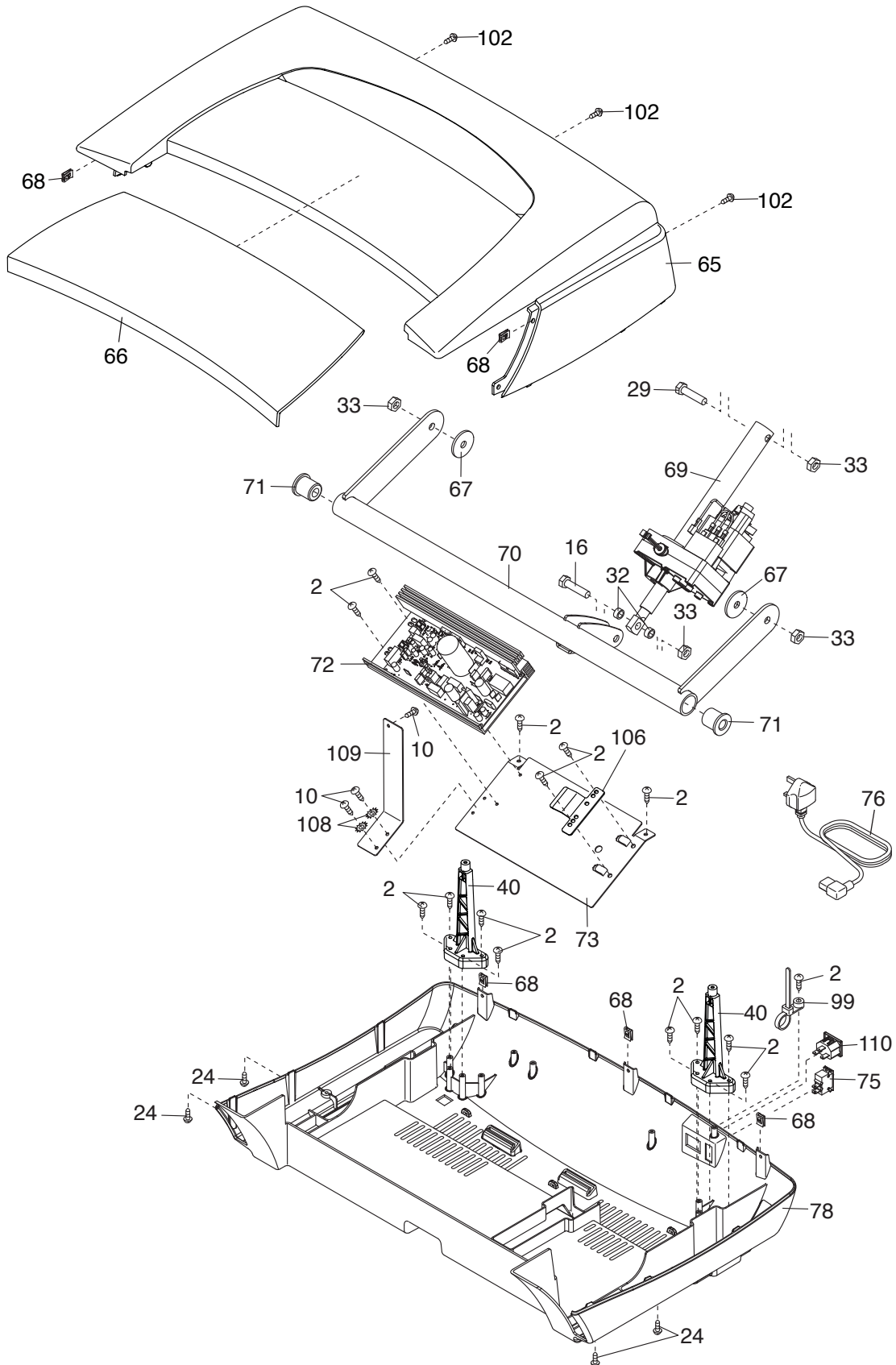


EXPLODED DRAWING B

Model No. PETL14715.1 R0615A



EXPLODED DRAWING D

Model No. PETL14715.1 R0615A

