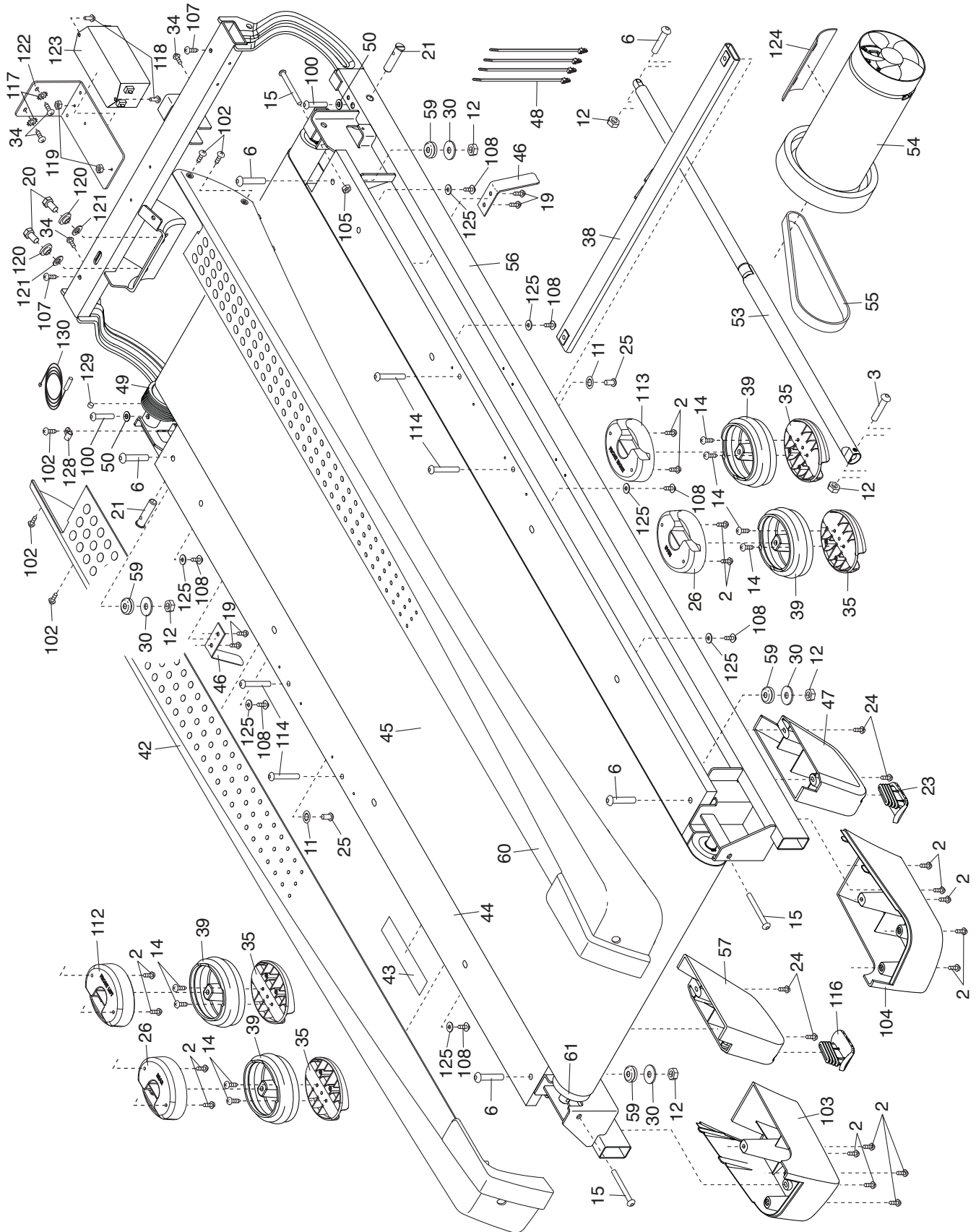


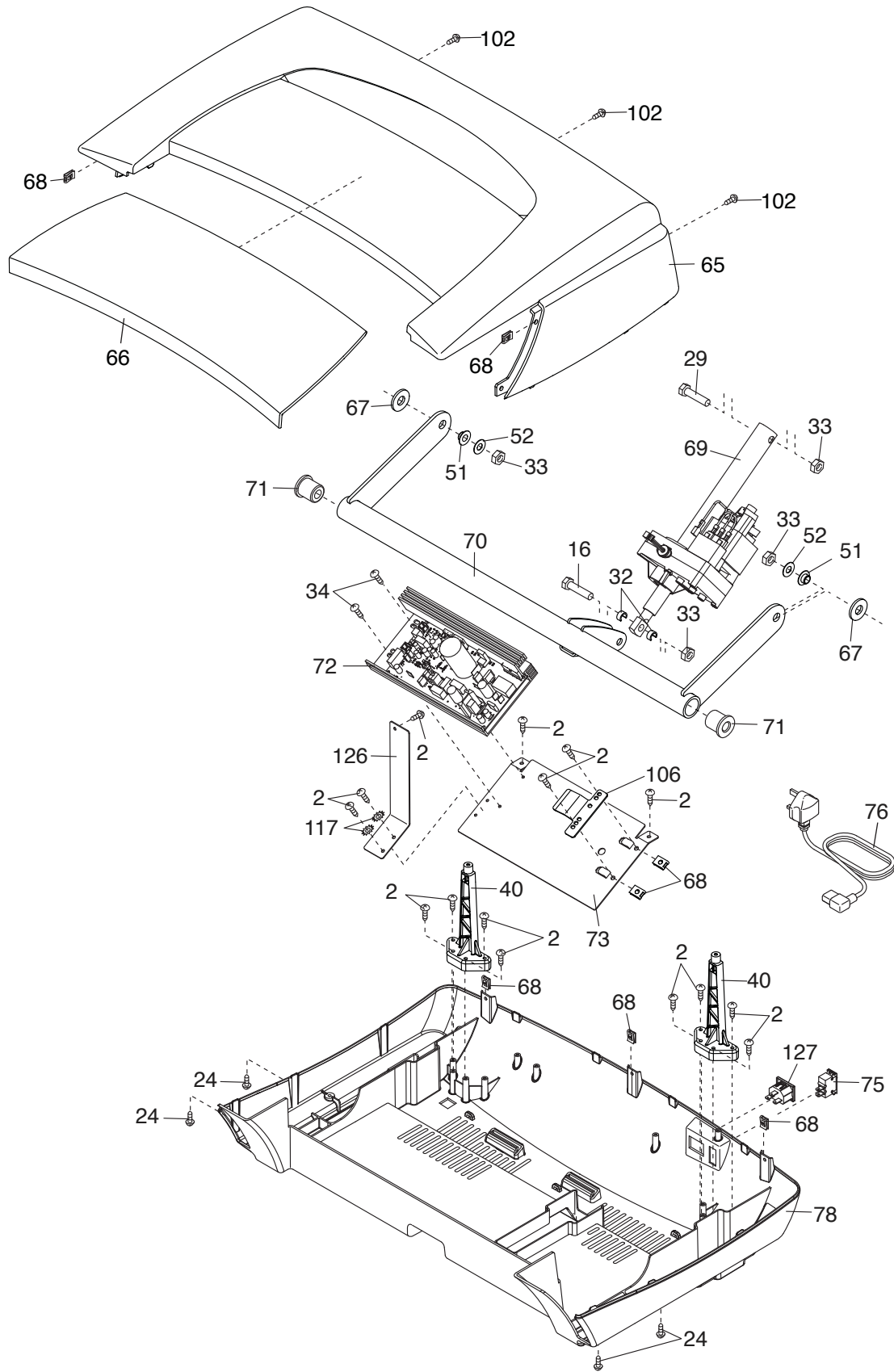
EXPLODED DRAWING A

Model No. PETL15618-CH.0 R0518A



EXPLODED DRAWING B

Model No. PETL15618-CH.0 R0518A



EXPLODED DRAWING C

Model No. PETL15618-CH.0 R0518A

