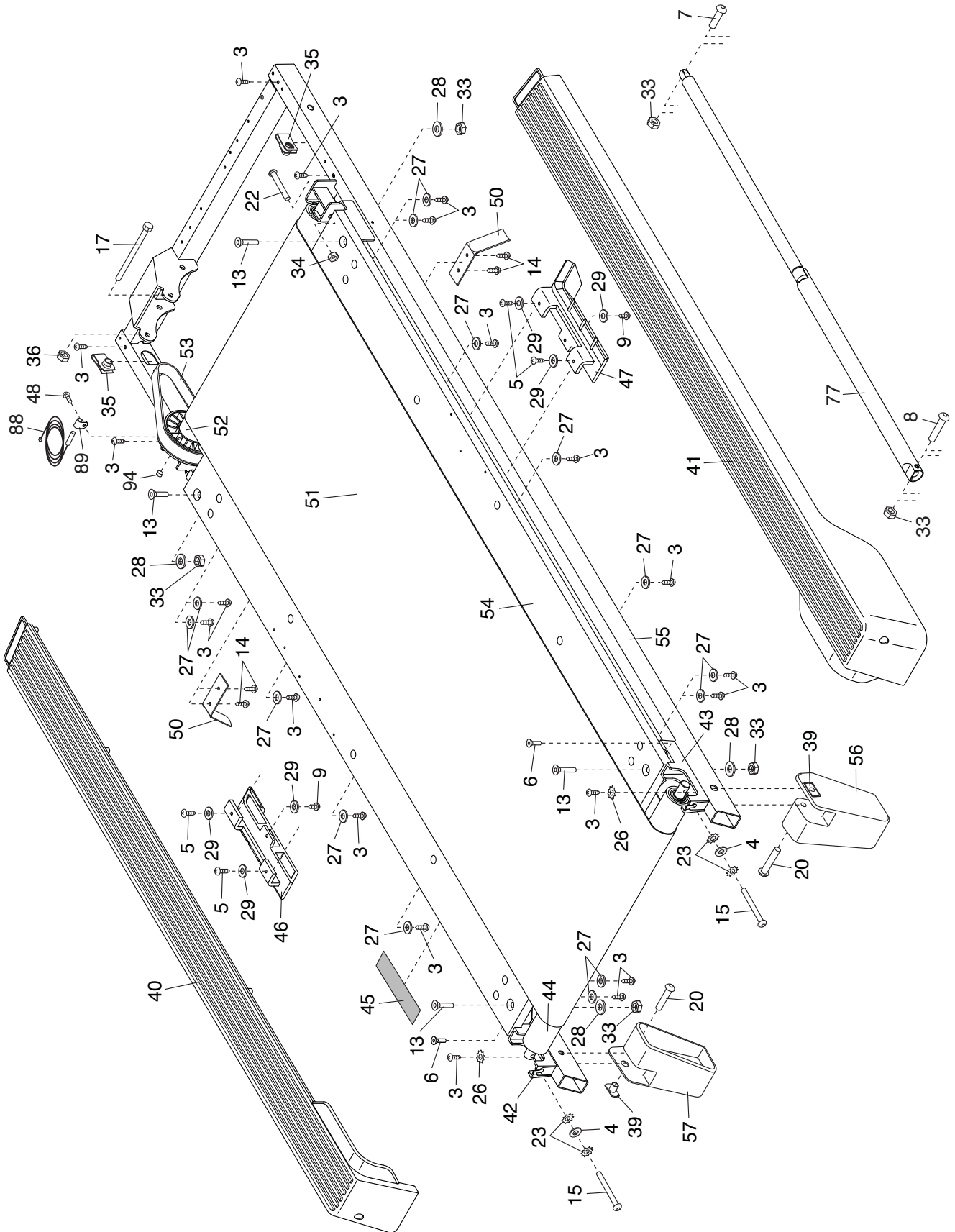


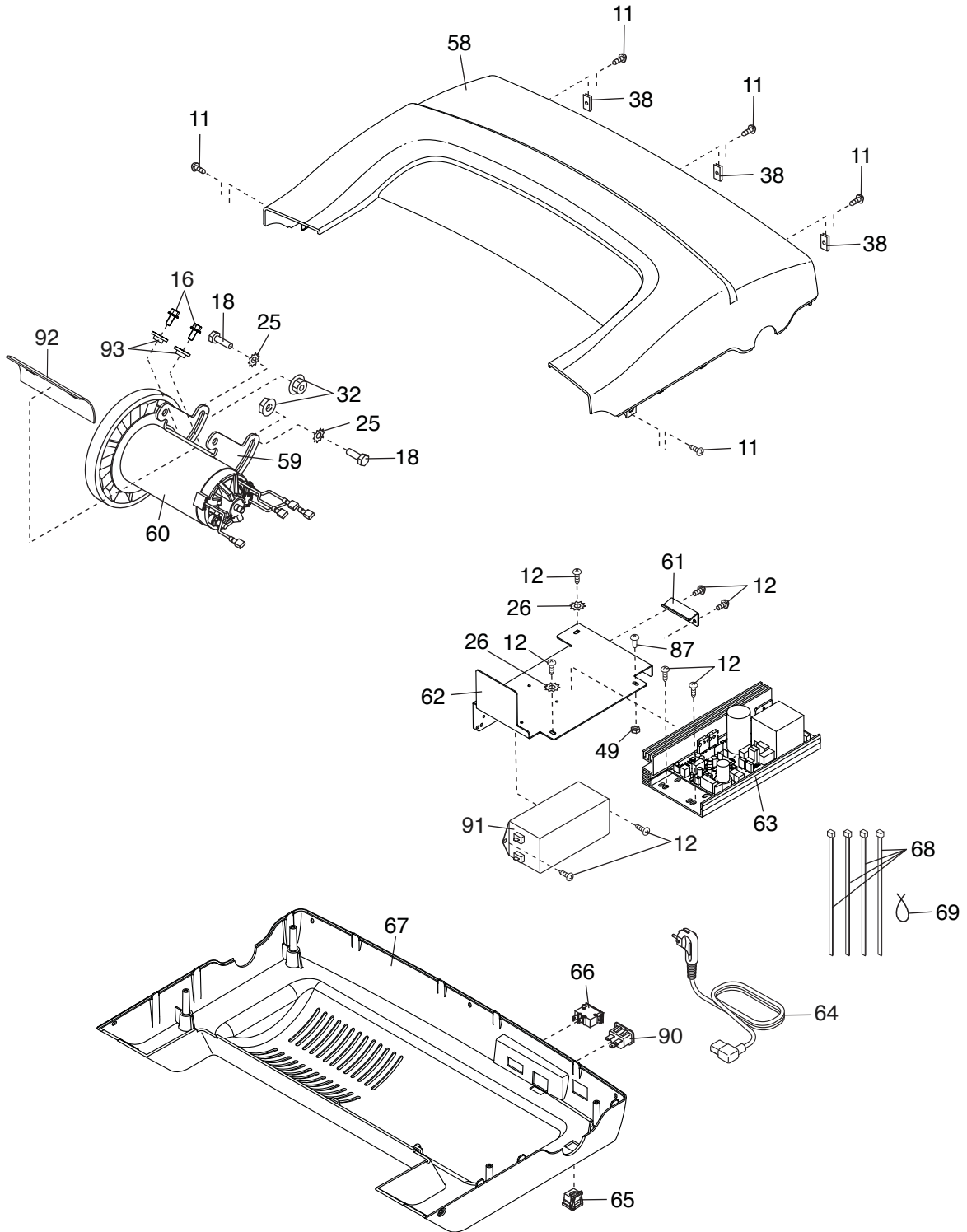
# EXPLODED DRAWING A

Model No. PETL38817-CH.0 R0518A



# EXPLODED DRAWING B

Model No. PETL38817-CH.0 R0518A



# EXPLODED DRAWING C

Model No. PETL38817-CH.0 R0518A

