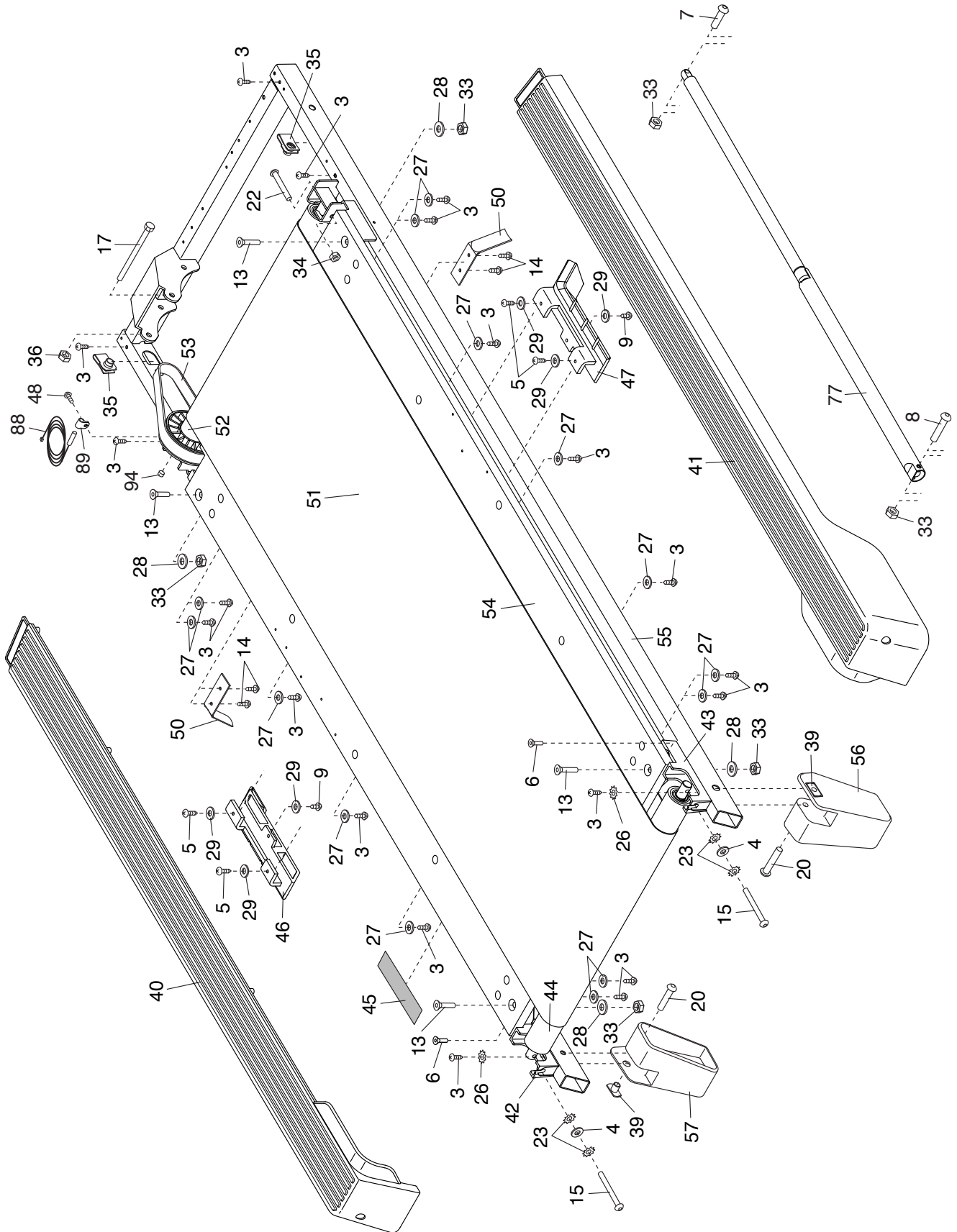


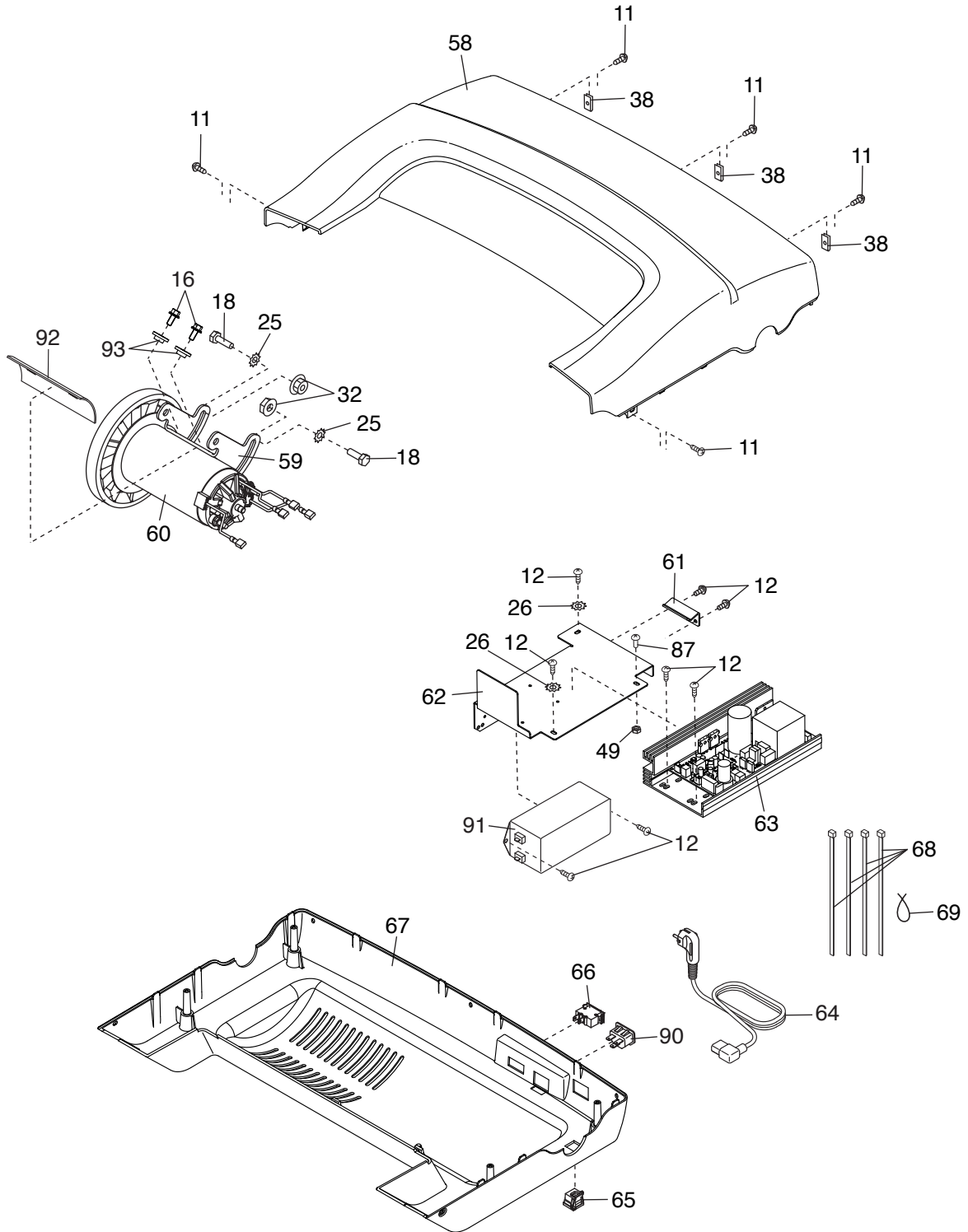
# EXPLODED DRAWING A

Model No. PETL38817.0 R1217A



# EXPLODED DRAWING B

Model No. PETL38817.0 R1217A



# EXPLODED DRAWING C

Model No. PETL38817.0 R1217A

