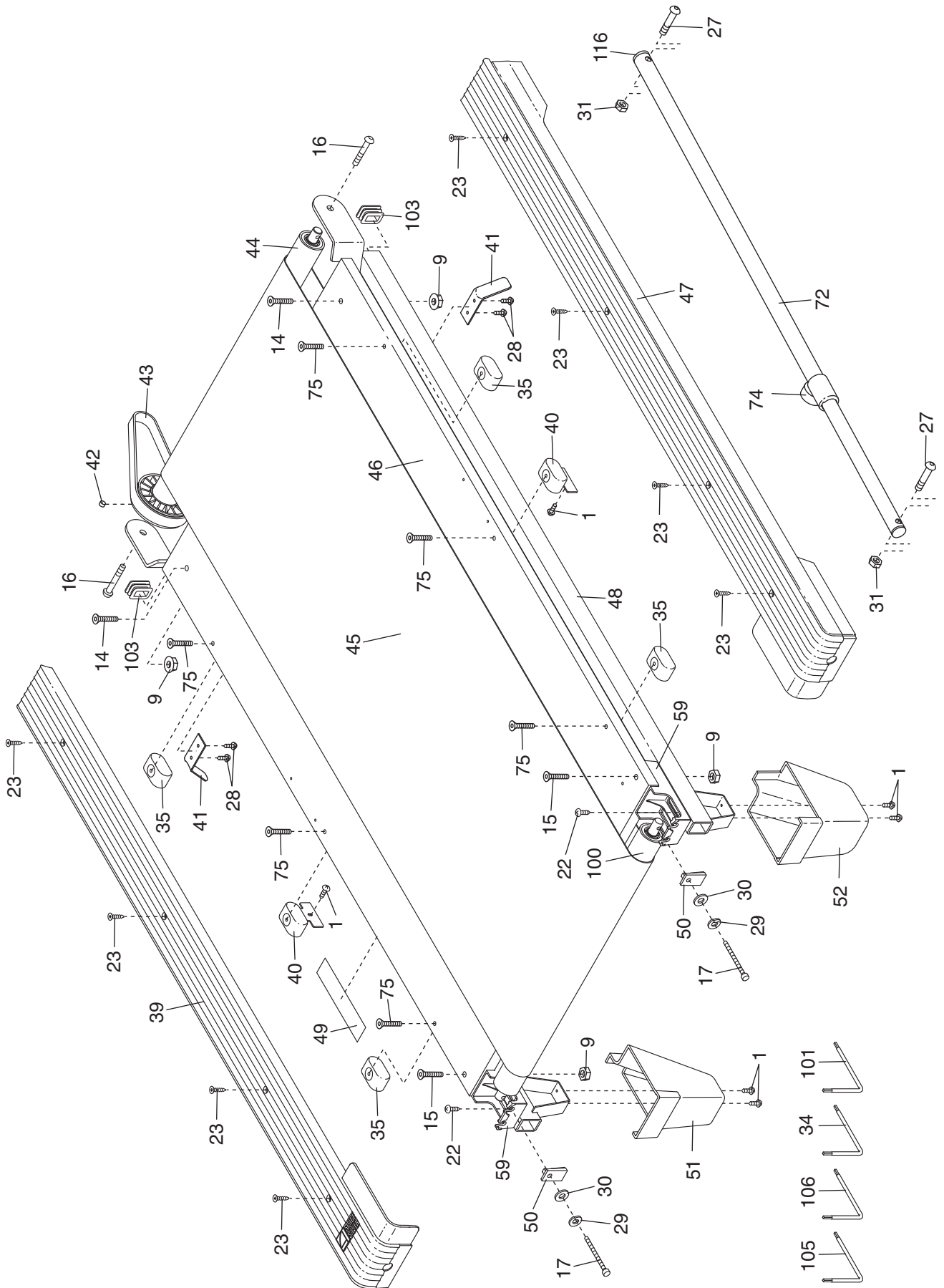


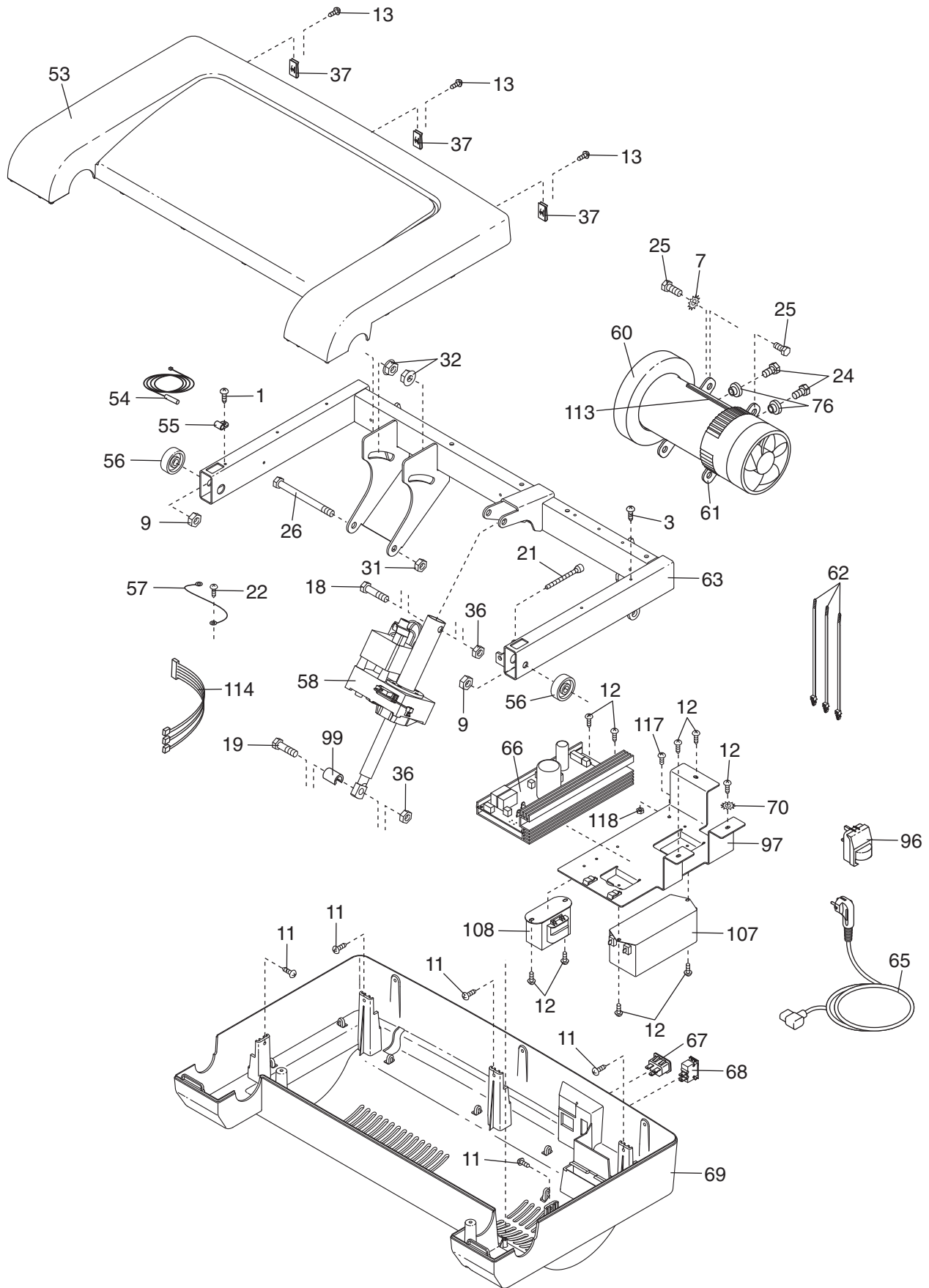
EXPLODED DRAWING A—Model No. PETL40507.0

R0907B



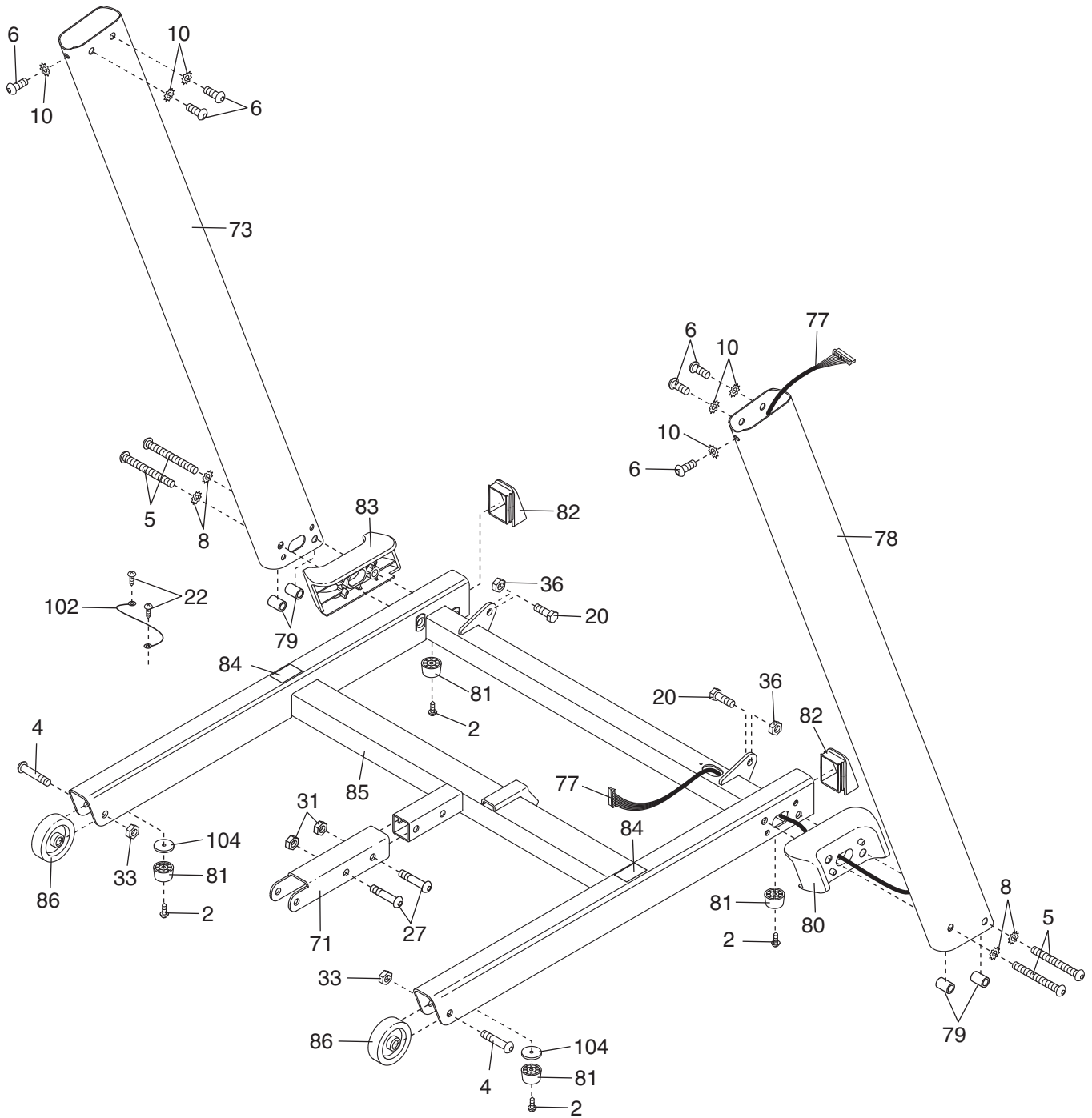
EXPLODED DRAWING B—Model No. PETL40507.0

R0907B



EXPLODED DRAWING C—Model No. PETL40507.0

R0907B



EXPLODED DRAWING D—Model No. PETL40507.0

R0907B

