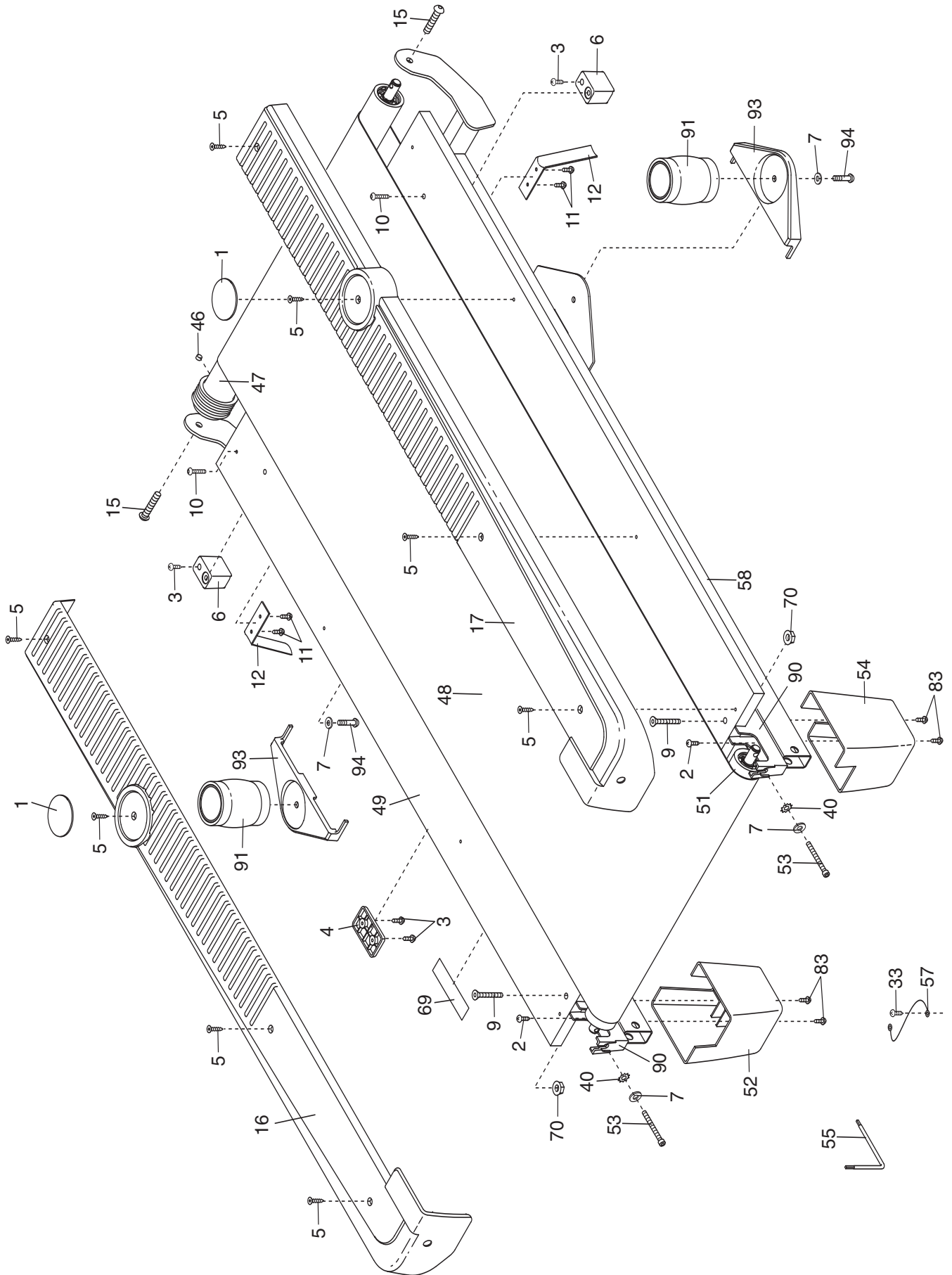


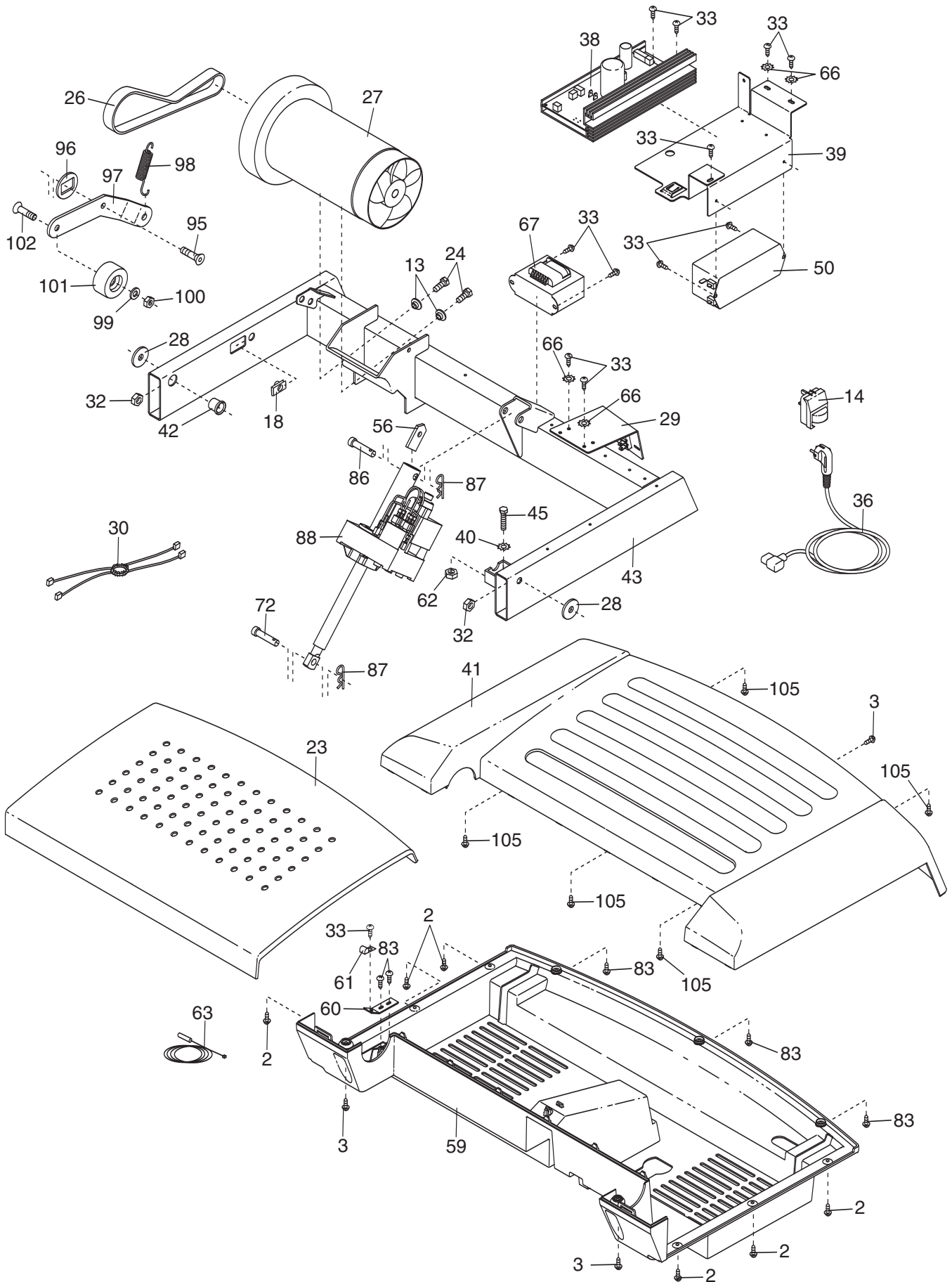
# EXPLODED DRAWING—Model No. PETL40706.0

R0806A



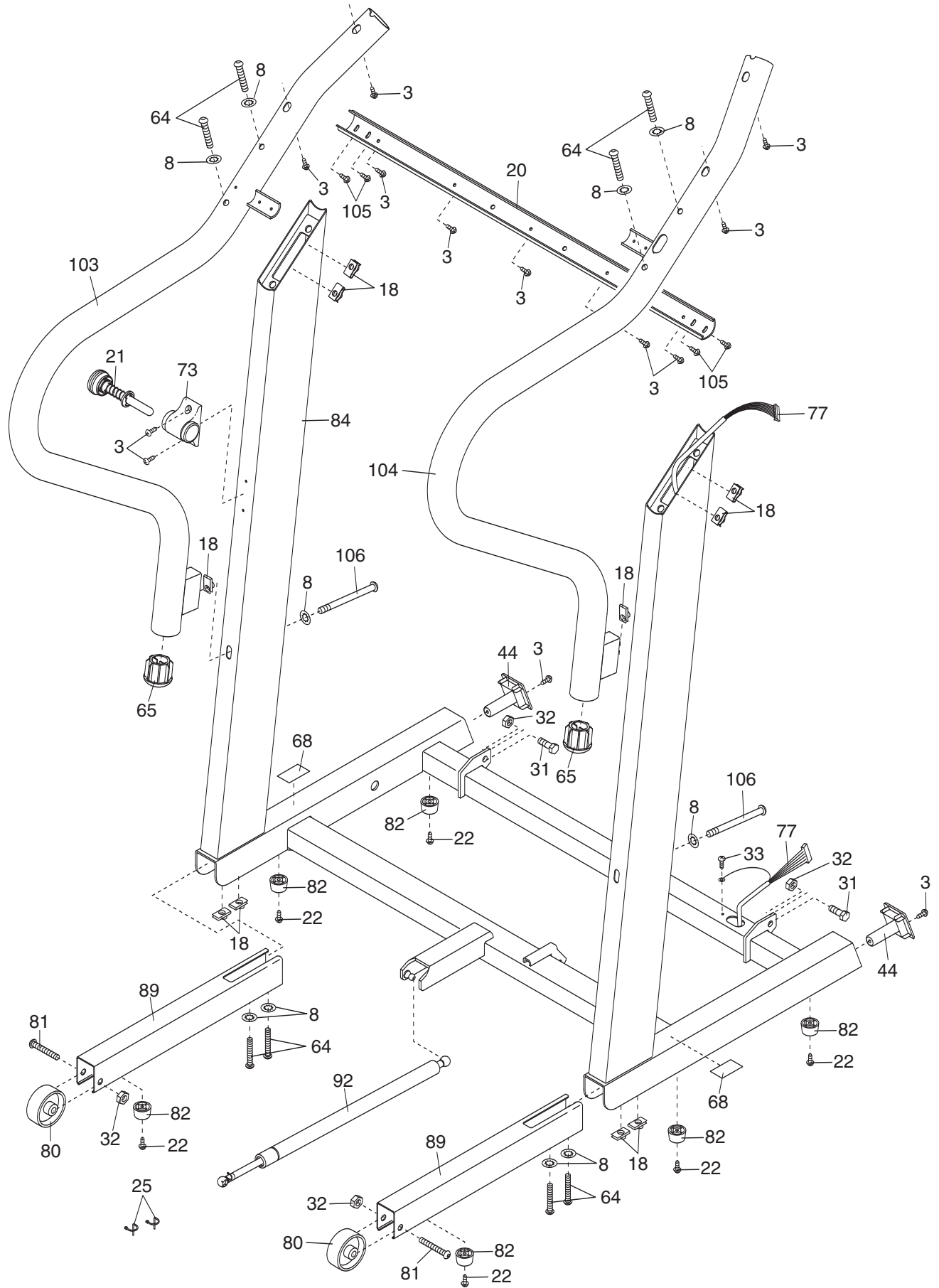
# EXPLODED DRAWING—Model No. PETL40706.0

R0806A



# EXPLODED DRAWING—Model No. PETL40706.0

R0806A



# EXPLODED DRAWING—Model No. PETL40706.0

R0806A

