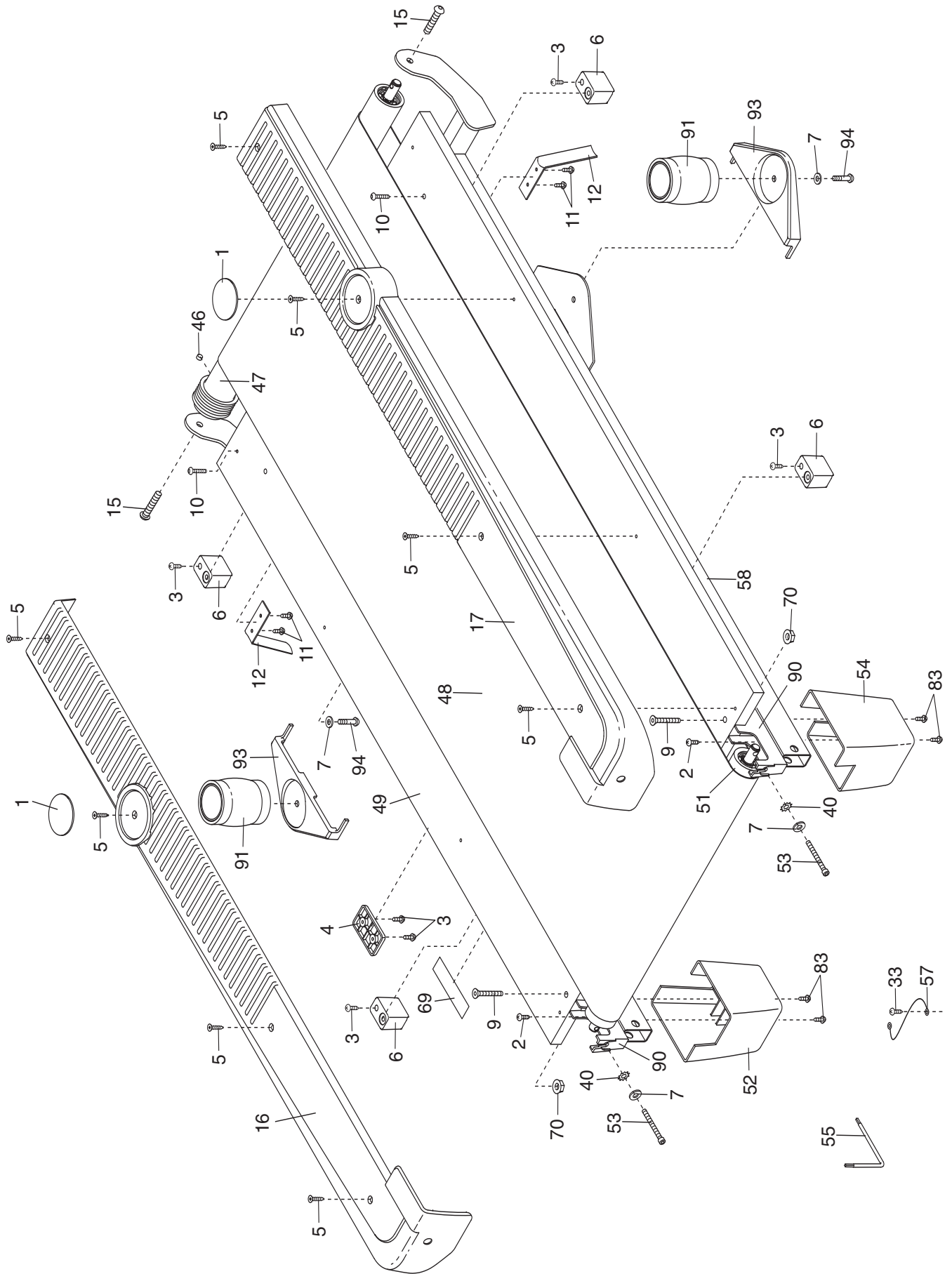


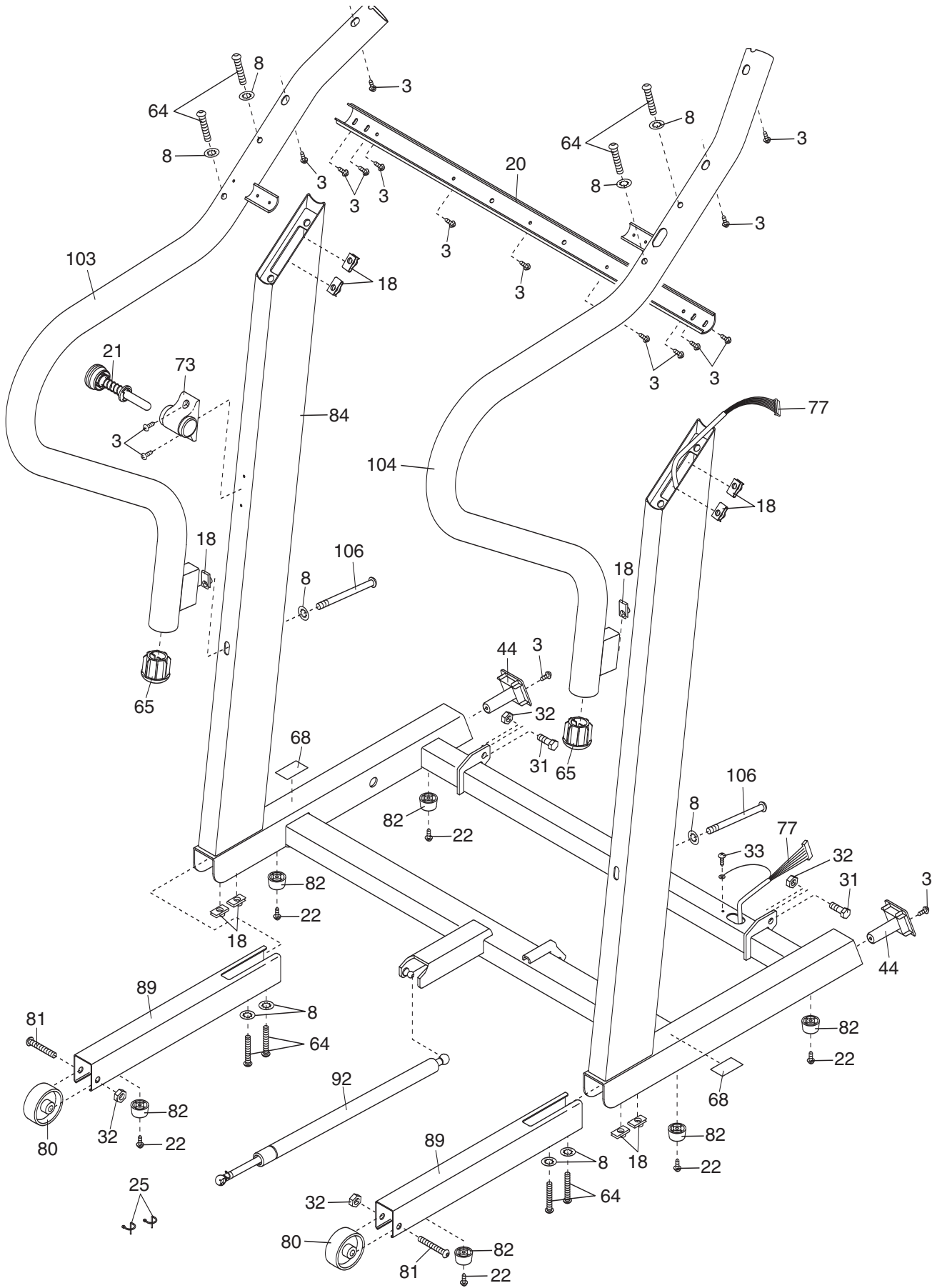
EXPLODED DRAWING—Model No. PETL40706.1

R0408A



EXPLODED DRAWING—Model No. PETL40706.1

R0408A



EXPLODED DRAWING—Model No. PETL40706.1

R0408A

