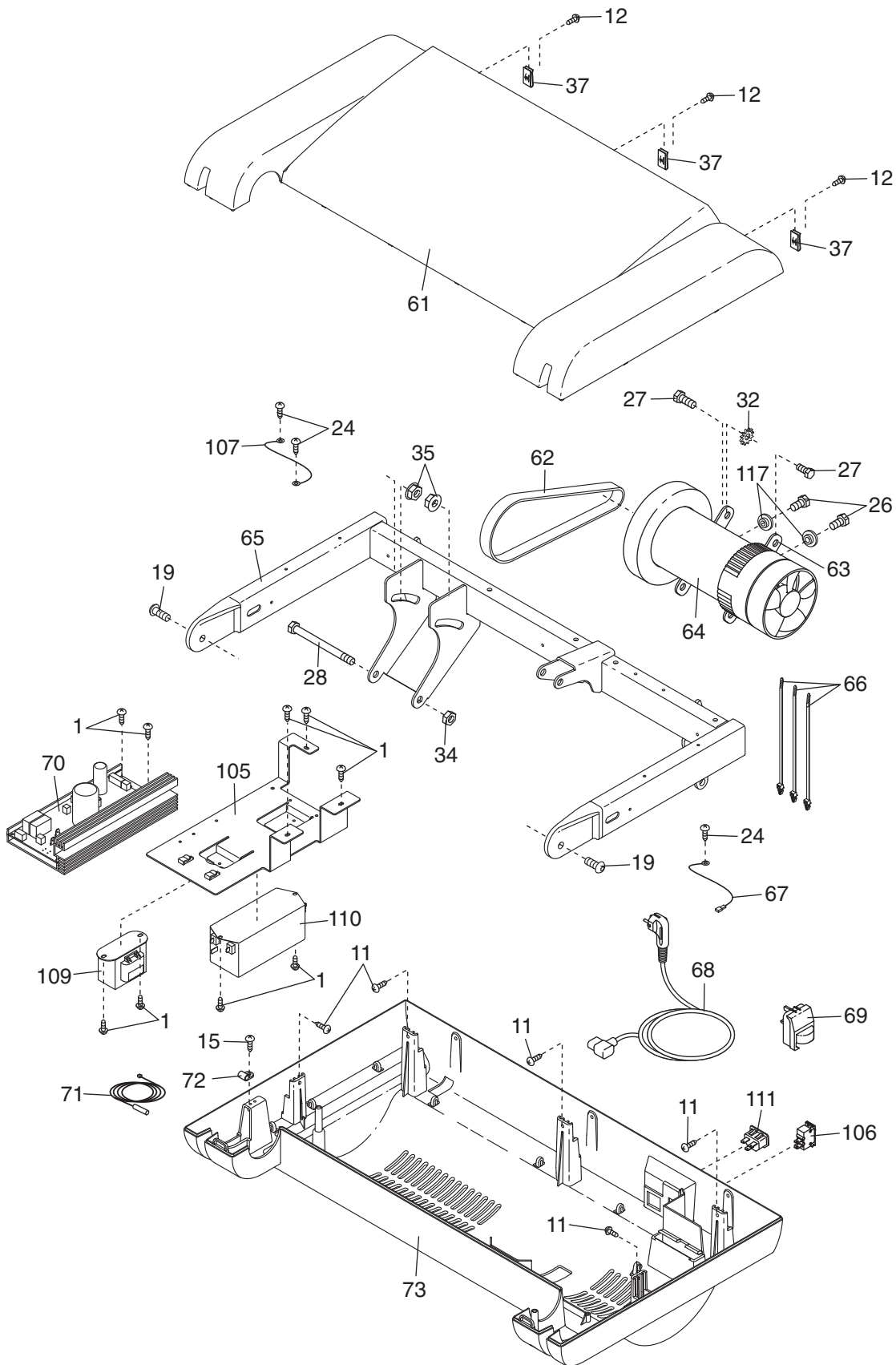


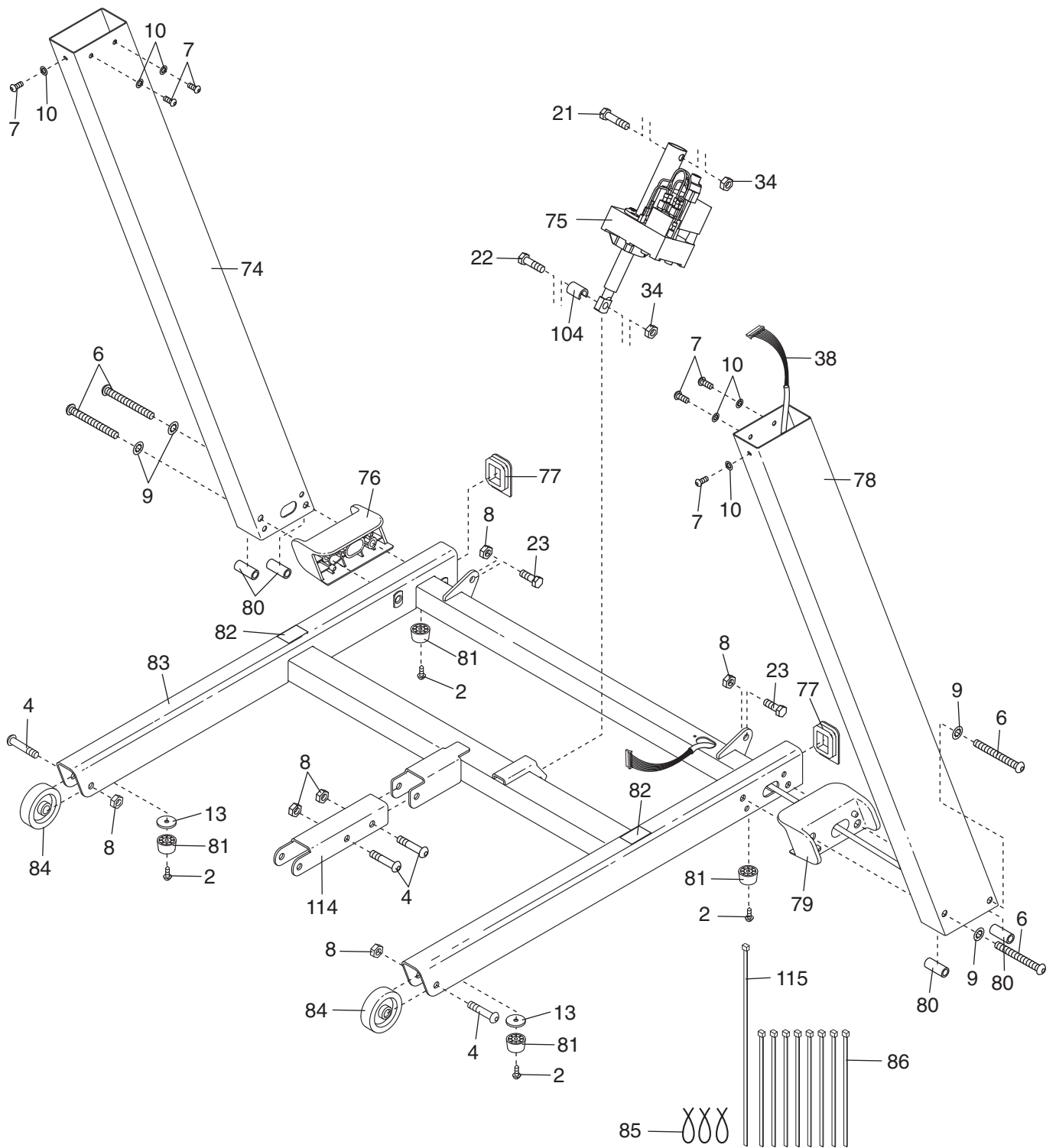
EXPLODED DRAWING B—Model No. PETL40707.0

R0807A



EXPLODED DRAWING C—Model No. PETL40707.0

R0807A



EXPLODED DRAWING D—Model No. PETL40707.0

R0807A

