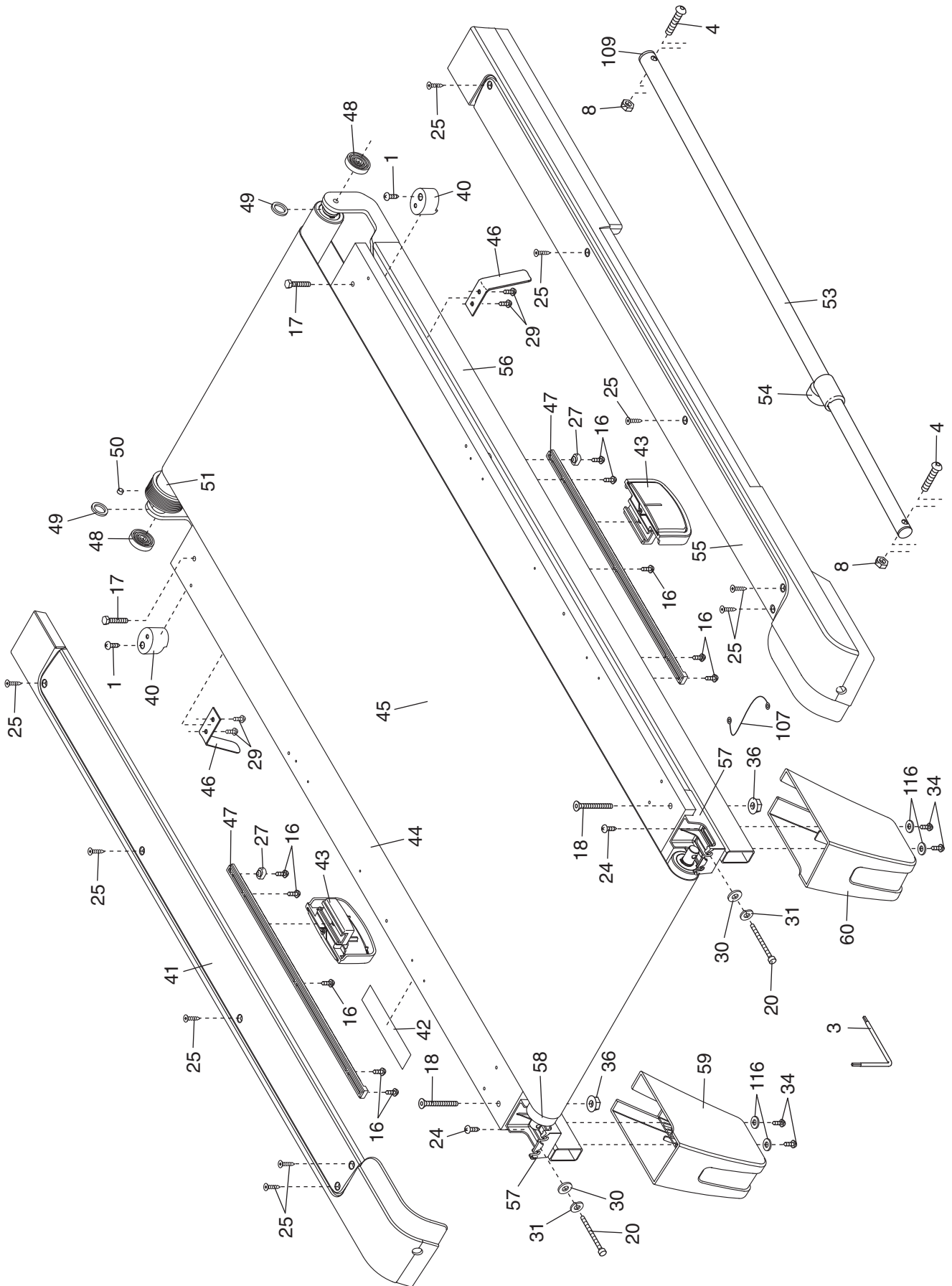


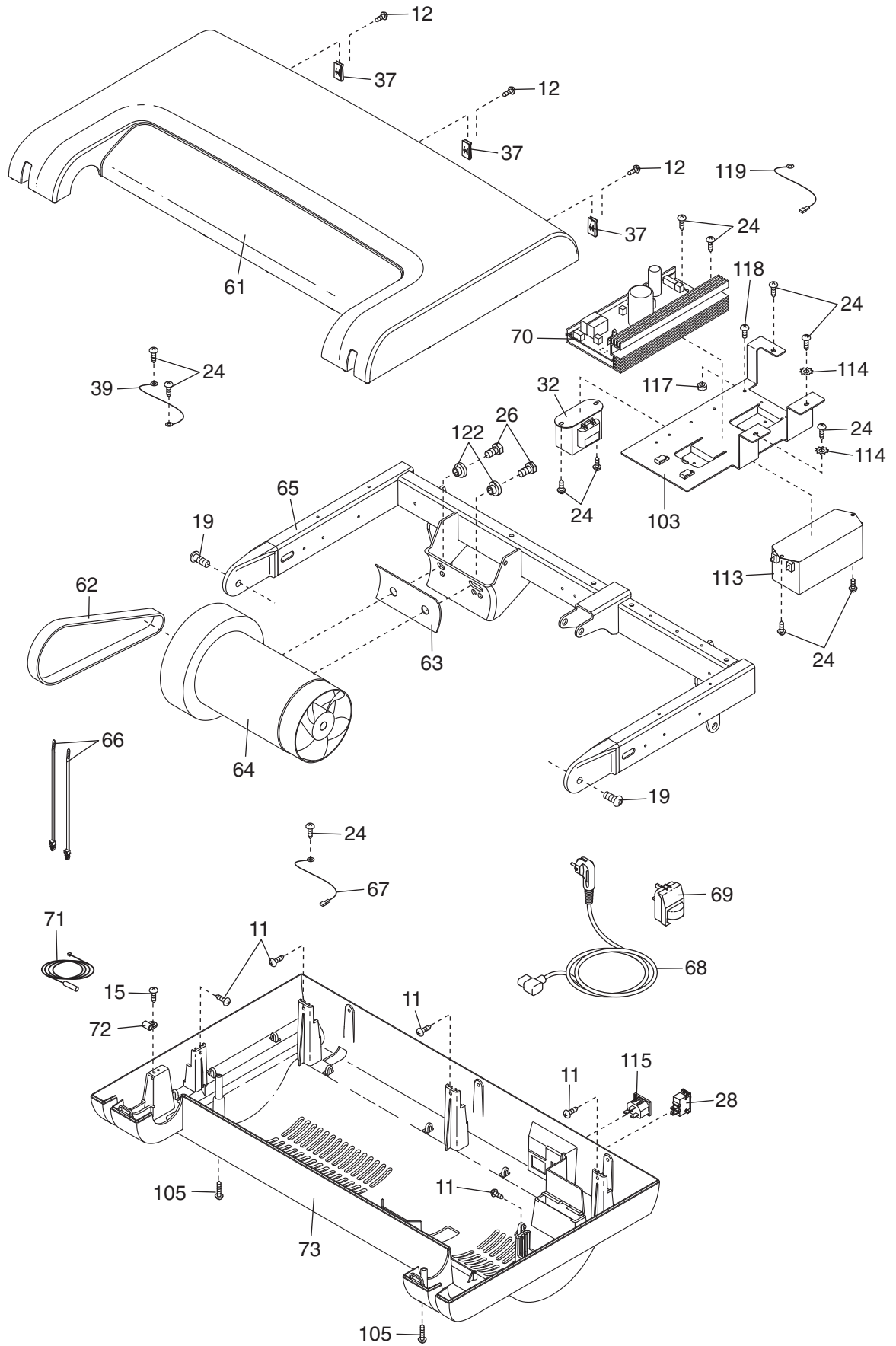
# EXPLODED DRAWING A—Model No. PETL40907.0

R1107A



# EXPLODED DRAWING B—Model No. PETL40907.0

R1107A





# EXPLODED DRAWING D—Model No. PETL40907.0

R1107A

