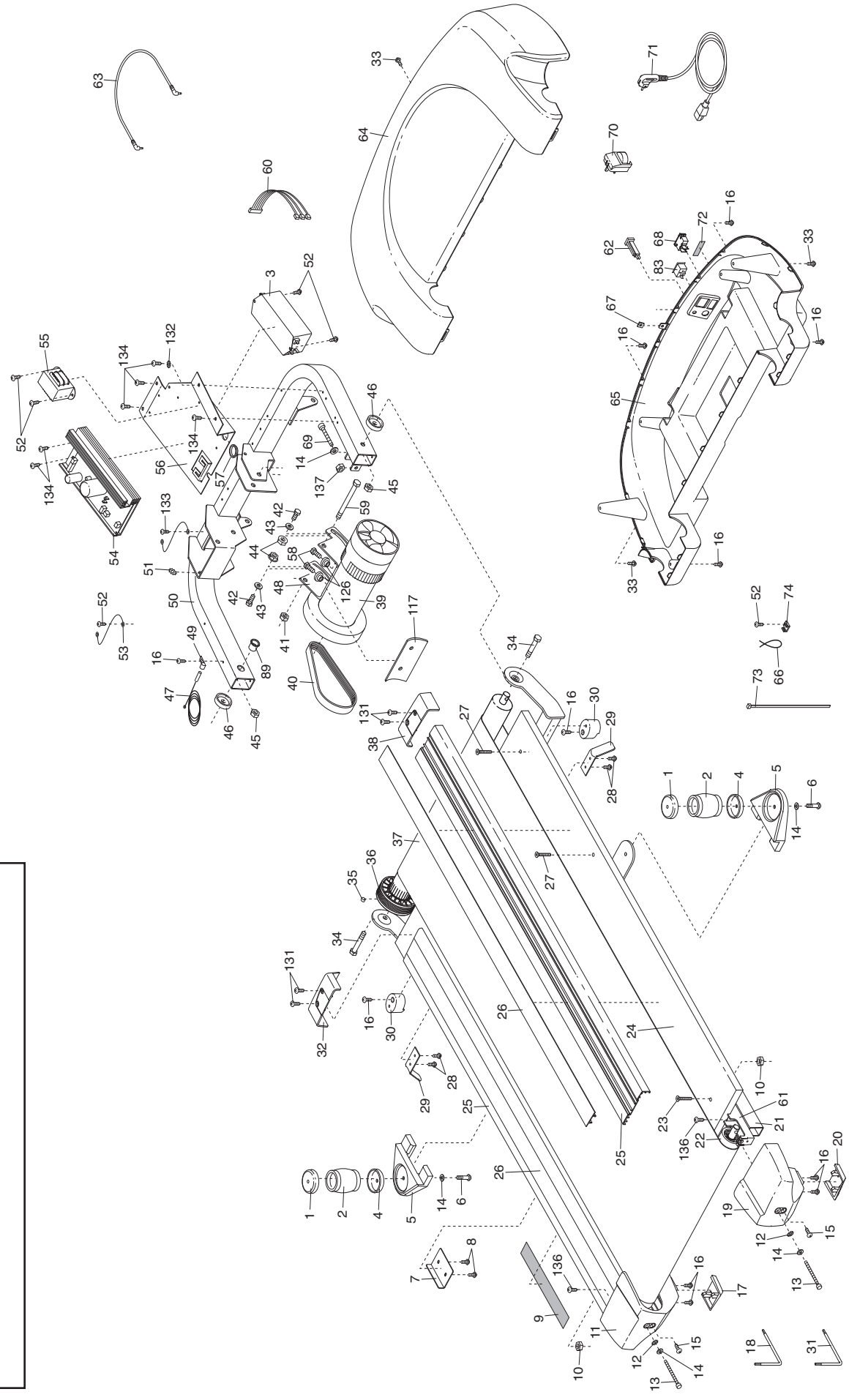


EXPLODED DRAWING—Model No. PETL41105.1

R0805A

To identify the parts shown on this EXPLODED DRAWING, see the PART LIST on pages 30 and 31.



EXPLODED DRAWING—Model No. PETL41105.1

R0805A

