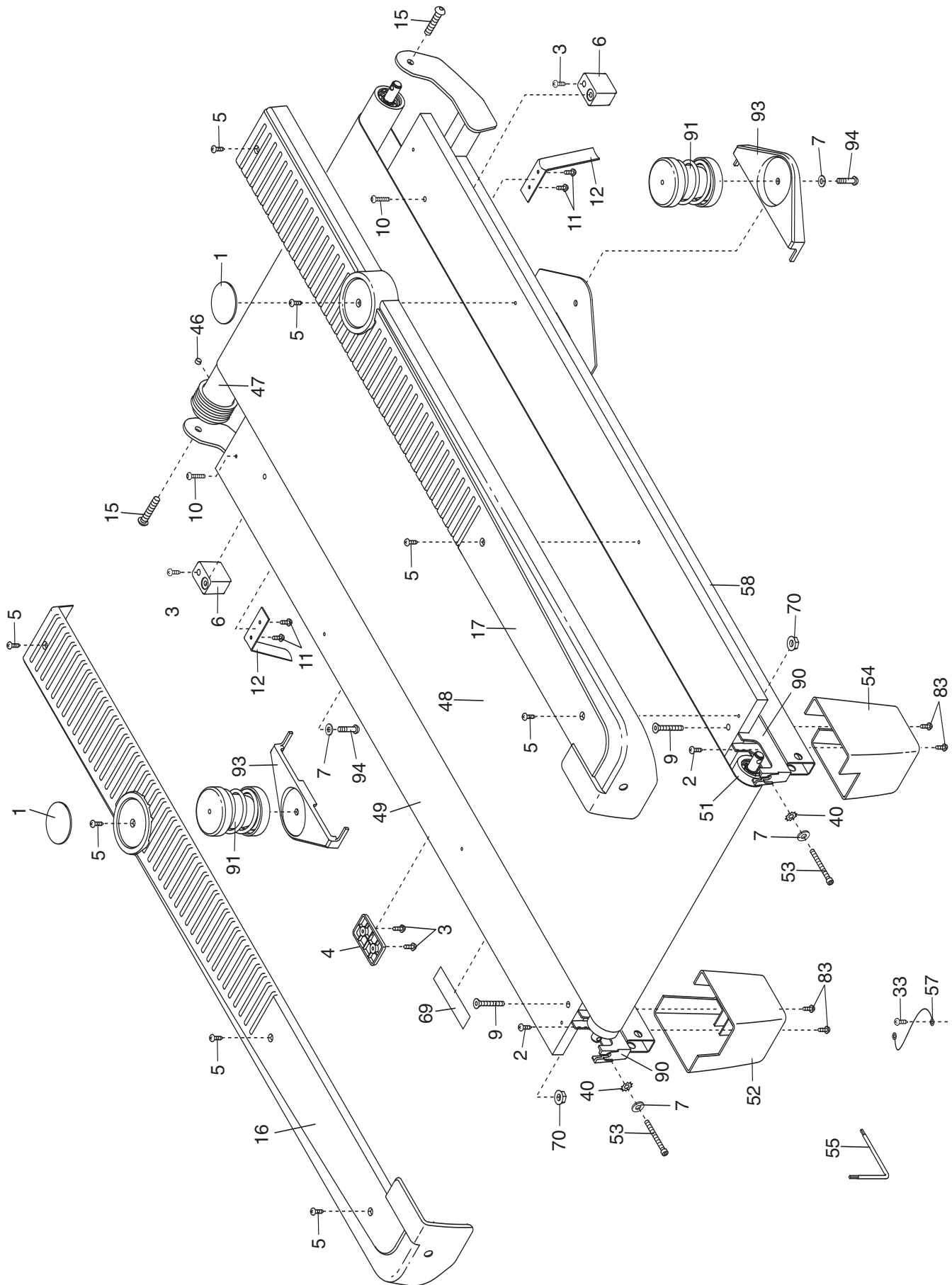


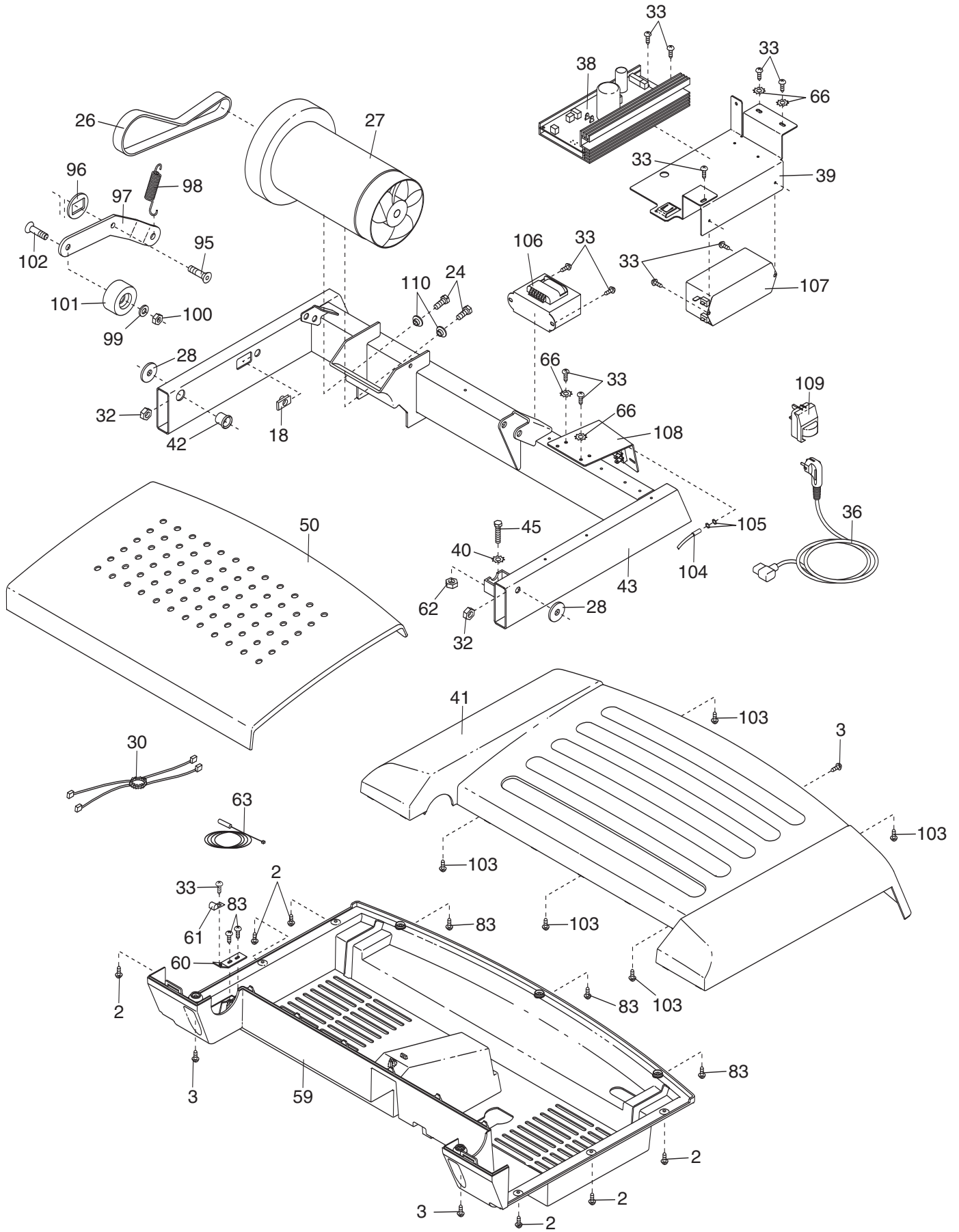
# EXPLODED DRAWING A—Model No. PETL41306.0

R0806A



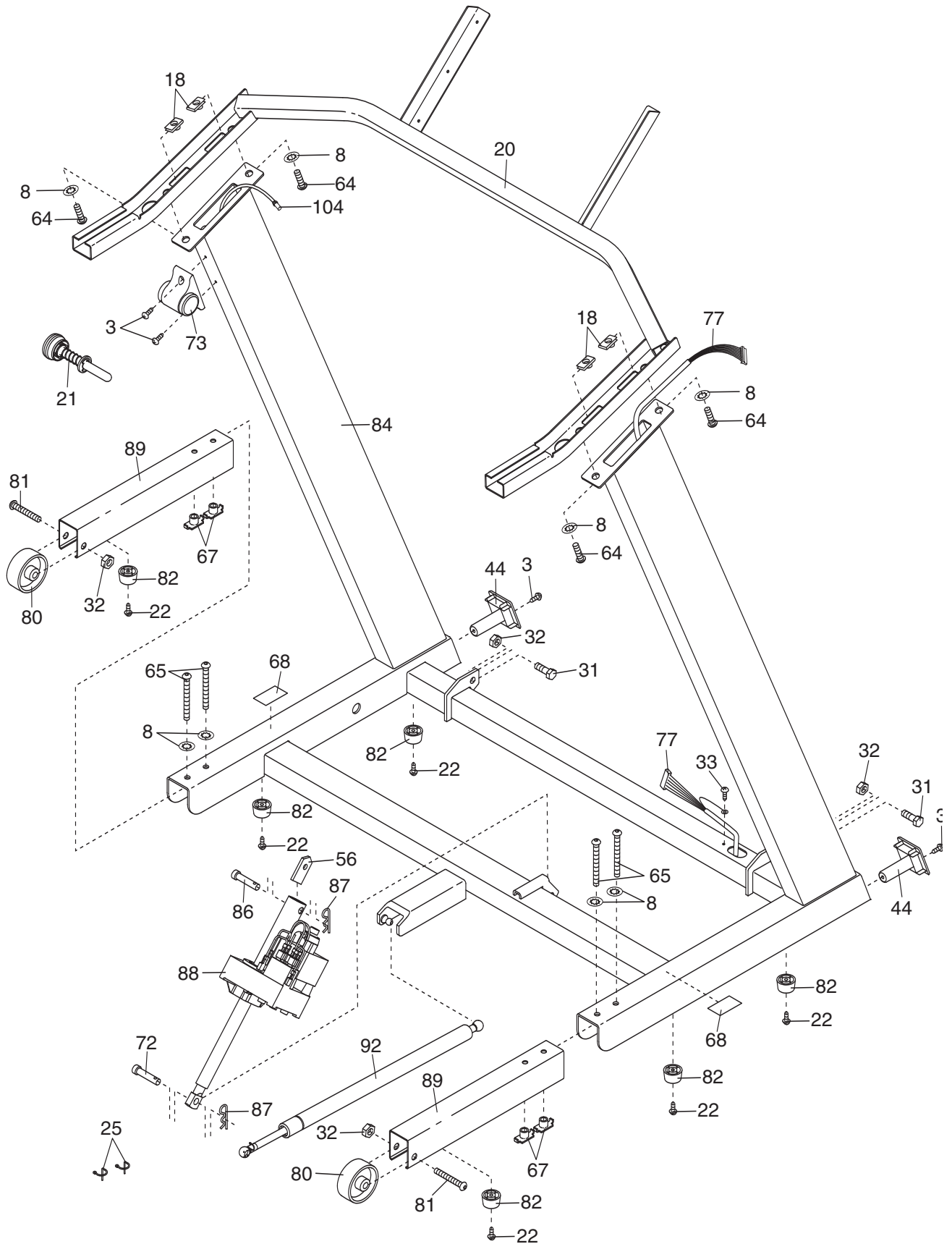
# EXPLODED DRAWING B—Model No. PETL41306.0

R0806A



# EXPLODED DRAWING C—Model No. PETL41306.0

R0806A



# EXPLODED DRAWING D—Model No. PETL41306.0

R0806A

