

PART LIST—Model No. PETL49905.1

R0805A

To locate the parts listed below, see the EXPLODED DRAWING attached in the centre of this manual.

Key No.	Qty.	Description	Key No.	Qty.	Description
1	2	Spring Top Cap	51	1	Motor Star Washer
2	2	Isolator	52	17	1/2" Screw
3	1	Filter	53	1	Ground Wire
4	2	Spring Bottom Cap	54	1	Controller
5	2	Spring Bracket Cover	55	1	Transformer
6	2	Isolator Bolt	56	1	Electronics Bracket
7	1	Latch Plate	57	1	Bracket Grommet
8	2	Latch Plate Screw	58	2	Motor Mount Bolt
9	1	Warning Decal	59	1	Motor Pivot Bolt
10	2	Rear Platform Nut	60	1	Incline Wire
11	1	Left Rear Endcap	61	2	Rear Roller Bracket
12	2	Roller Star Washer	62	1	Circuit Breaker
13	2	Rear Roller Bolt	63	1	iFIT.com Cable
14	4	Roller Washer	64	1	Hood
15	4	Rear Endcap Screw	65	1	Belly Pan
16	8	Belly Pan Screw	66	1	Releasable Tie
17	1	Rear Foot, Left	67	1	Belly Pan Clip
18	1	Hex Key	68	1	On/Off Switch
19	1	Right Rear Endcap	69	1	Front Roller Bolt
20	1	Rear Foot, Right	70	1	Power Cord Adaptor
21	1	Frame	71	1	Power Cord
22	1	Rear Roller	72	2	Static Decal
23	2	Platform Screw, Rear	73	1	Plastic Tie
24	1	Walking Platform	74	1	Tie Block
25	2	Foot Rail	75	1	Pulse Bar Plate, Left
26	2	Foot Rail Cover	76	4	Pulse Bar Screw
27	4	Platform Screws	77	1	Pulse Bar
28	4	Belt Guide Screw	78	1	Pulse Bar Plate, Right
29	2	Belt Guide	79	4	Cage Nut
30	2	Front Isolator	80	1	Console Frame
31	1	5/32" Hex Key	81	1	Fan
32	1	Front Endcap, Left	82	1	Fan Cover
33	33	3/4" Screw	83	1	Receptical
34	2	Frame Pivot Bolt	84	1	Key/Clip
35	1	Magnet	85	2	Caution Decal
36	1	Front Roller/Pulley	86	2	Extension Leg
37	1	Walking Belt	87	4	1/4" Star Washer
38	1	Front Endcap, Right	88	8	1/4" x 1" Bolt
39	1	Drive Motor	89	1	Front Roller Bushing
40	1	Motor Belt	90	1	Incline Motor Bolt, Bottom
41	1	Motor Nut	91	1	Incline Stop Bracket
42	2	Motor Tension Bolt	92	1	Incline Motor
43	2	Motor Tension Washer	93	4	Star Washer
44	2	Motor Tension Nut	94	2	Wheel
45	8	Nut	95	2	Wheel Bolt
46	2	Frame Spacer	96	1	Base
47	1	Reed Switch	97	1	Left Cup Holder, Bottom
48	1	Motor Bracket	98	1	Left Cup Holder, Top
49	1	Reed Switch Clip	99	4	Housing Screw
50	1	Lift Frame	100	1	Book Holder

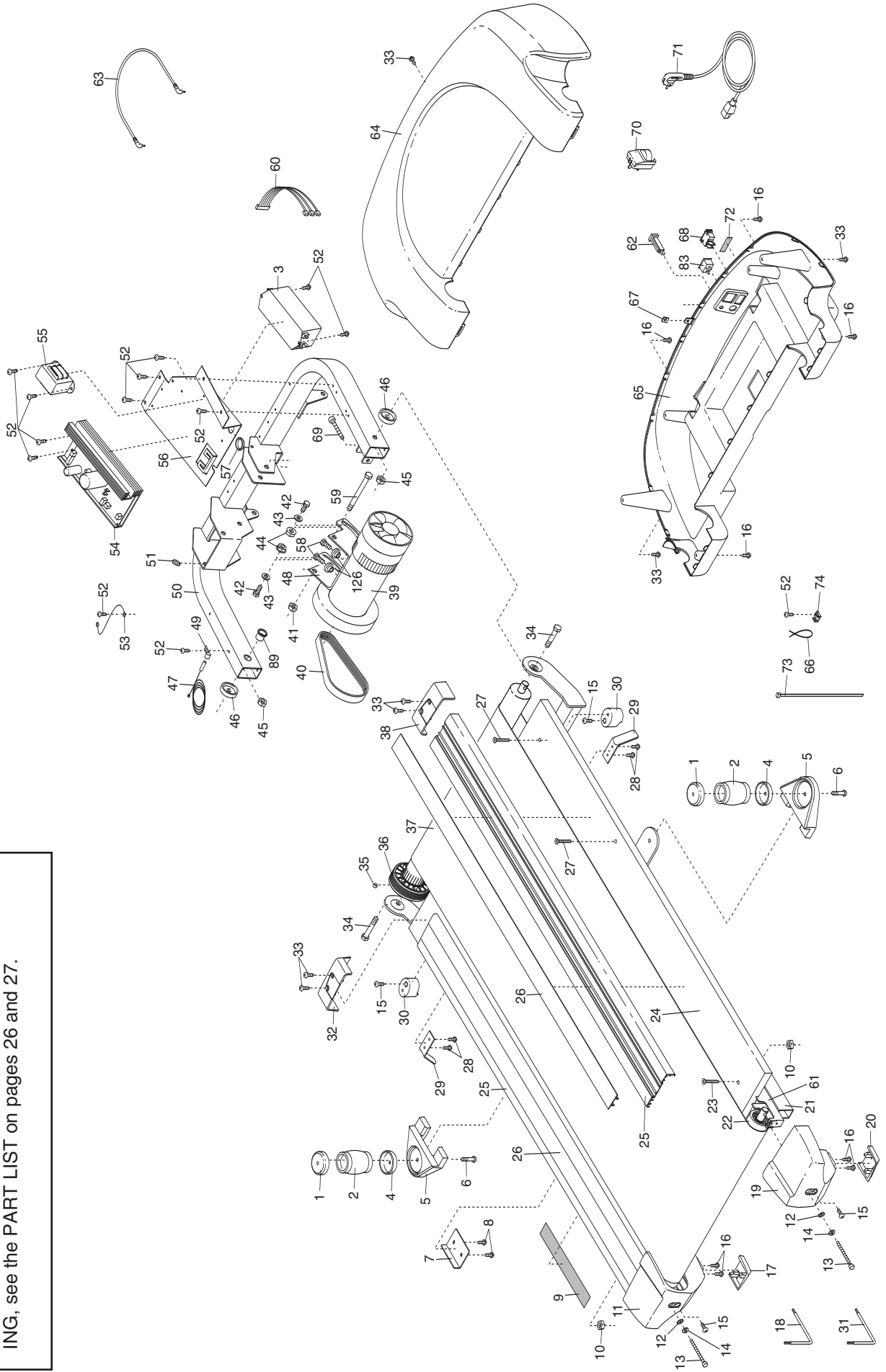
Key No.	Qty.	Description	Key No.	Qty.	Description
101	1	Console	123	6	1" Tek Screw
102	1	Right Cup Holder, Top	124	2	Base Endcap
103	1	Right Cup Holder, Bottom	125	7	Base Pad
104	1	Console Back	126	2	Motor Bushing
105	1	Access Door	127	2	Fan Screw
106	1	Left Handgrip, Top	128	2	5/16" Washer
107	1	Left Handgrip, Bottom	#	1	4" Green/Yellow Wire, F/R
108	2	Handrail	#	1	8" Green/Yellow Wire, F/R
109	2	Latch Screw	#	1	8" Green/Yellow Filter Wire, F/R
110	1	Latch Assembly	#	1	16" Blue Wire, M/F
111	1	Incline Motor Bolt, Top	#	1	10" Blue Wire, F/F
112	4	U-Nut	#	1	8" Blue Wire, F/F
113	4	5/16" x 1" Bolt	#	1	6" Black Wire, M/F
114	2	Upright Endcap	#	1	6" Black Wire, M/F
115	1	Right Handgrip, Top	#	2	4" Black Wire, F/F
116	1	Right Handgrip, Bottom	#	1	10" White Wire, F/F
117	4	1/4" x 1" Bolt	#	1	8" White Wire, F/F
118	1	Wire Harness	#	1	8" Red Wire, M/F
119	1	Ground Washer	#	1	User's Manual
120	2	Lift Frame Bolt			
121	2	5/16" x 3 1/2" Bolt			
122	1	Ground Nut			

#These parts are not illustrated.
Specifications are subject to change without notice.

EXPLODED DRAWING—Model No. PETL49905.1

R0805A

To identify the parts shown on this EXPLODED DRAWING, see the PART LIST on pages 26 and 27.



EXPLODED DRAWING—Model No. PETL49905.1

R0805A

