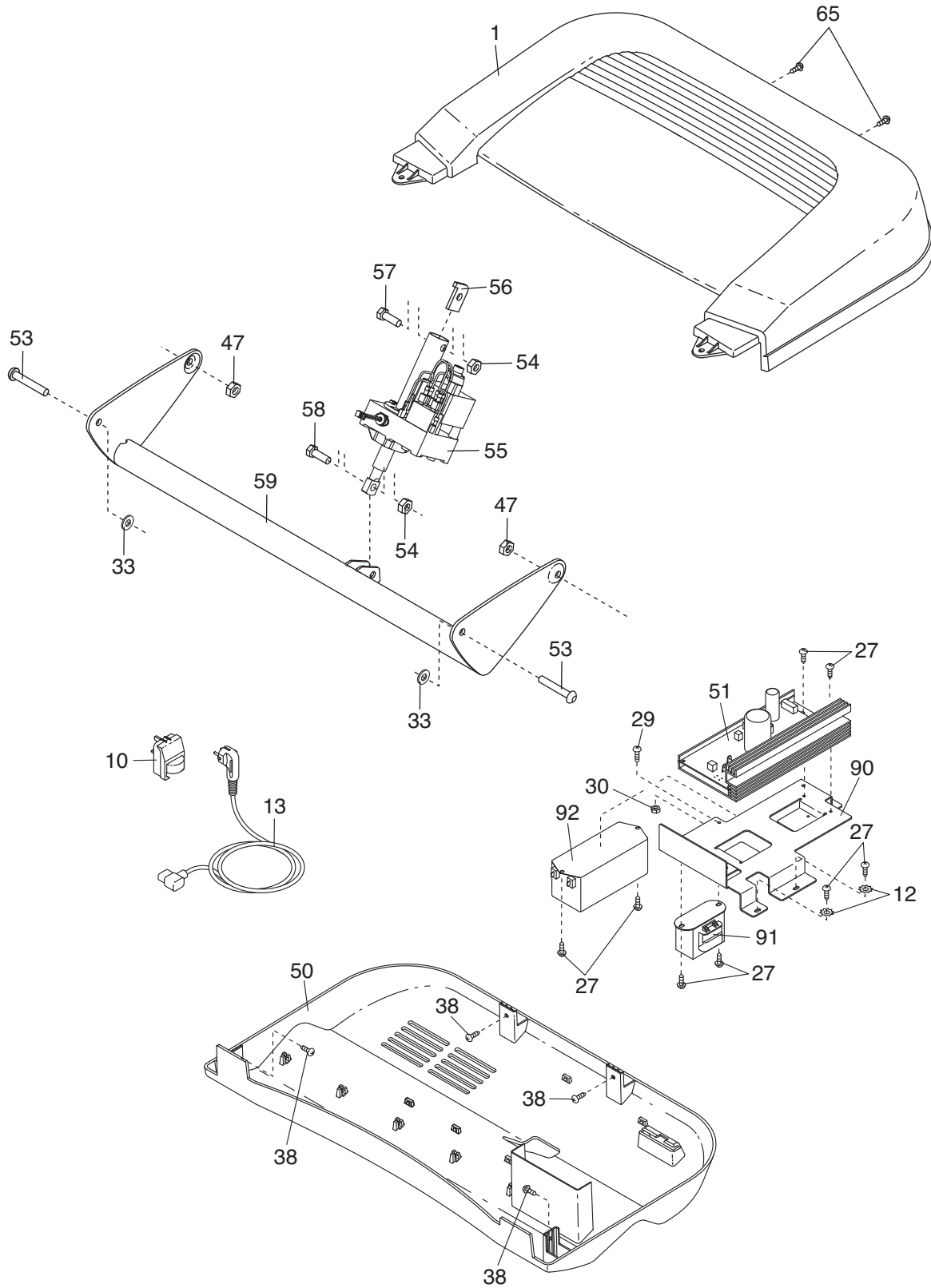




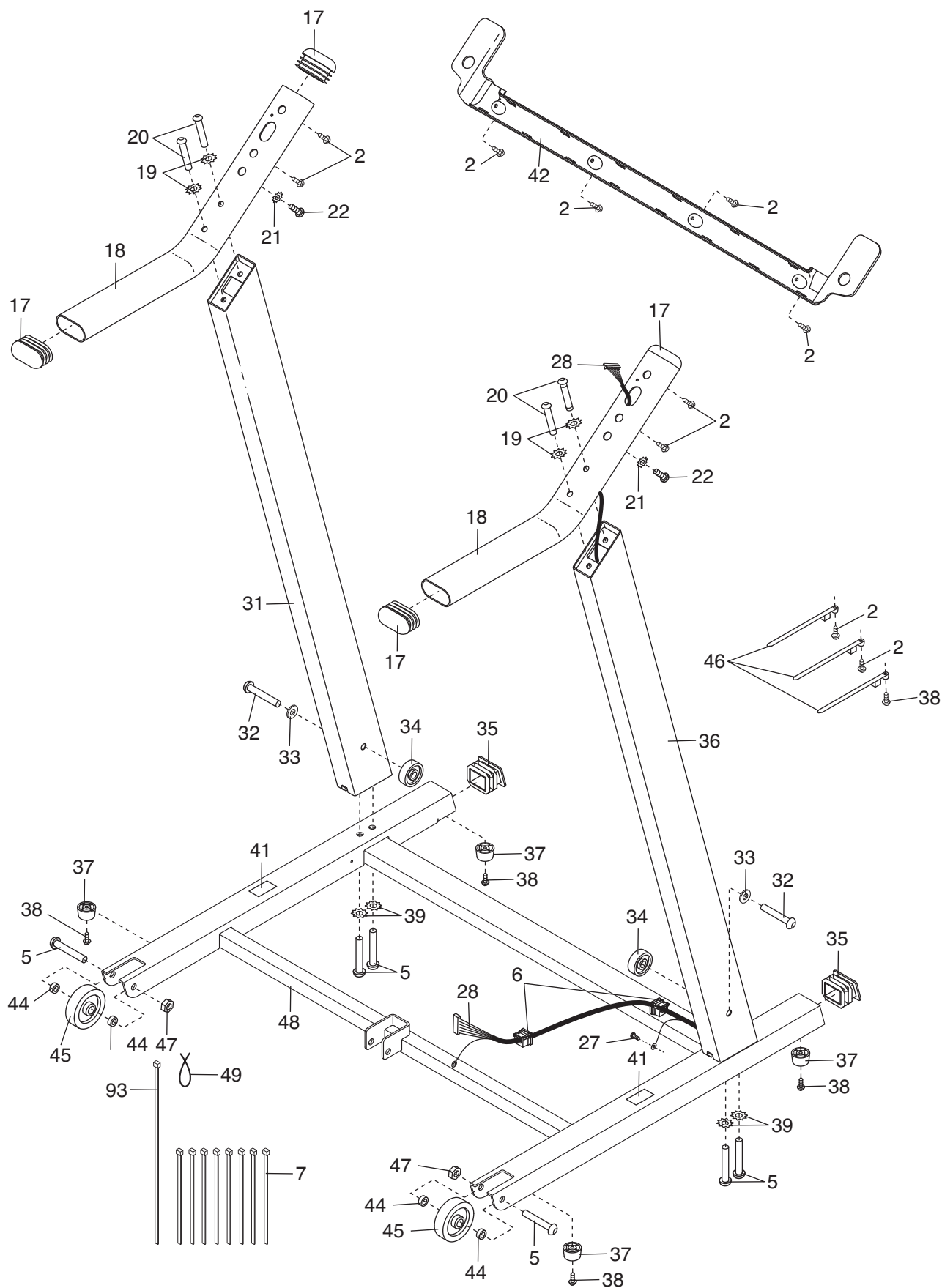
# EXPLODED DRAWING B—Model No. PETL49910.0

R0810A



# EXPLODED DRAWING C—Model No. PETL49910.0

R0810A



# EXPLODED DRAWING D—Model No. PETL49910.0

R0810A

