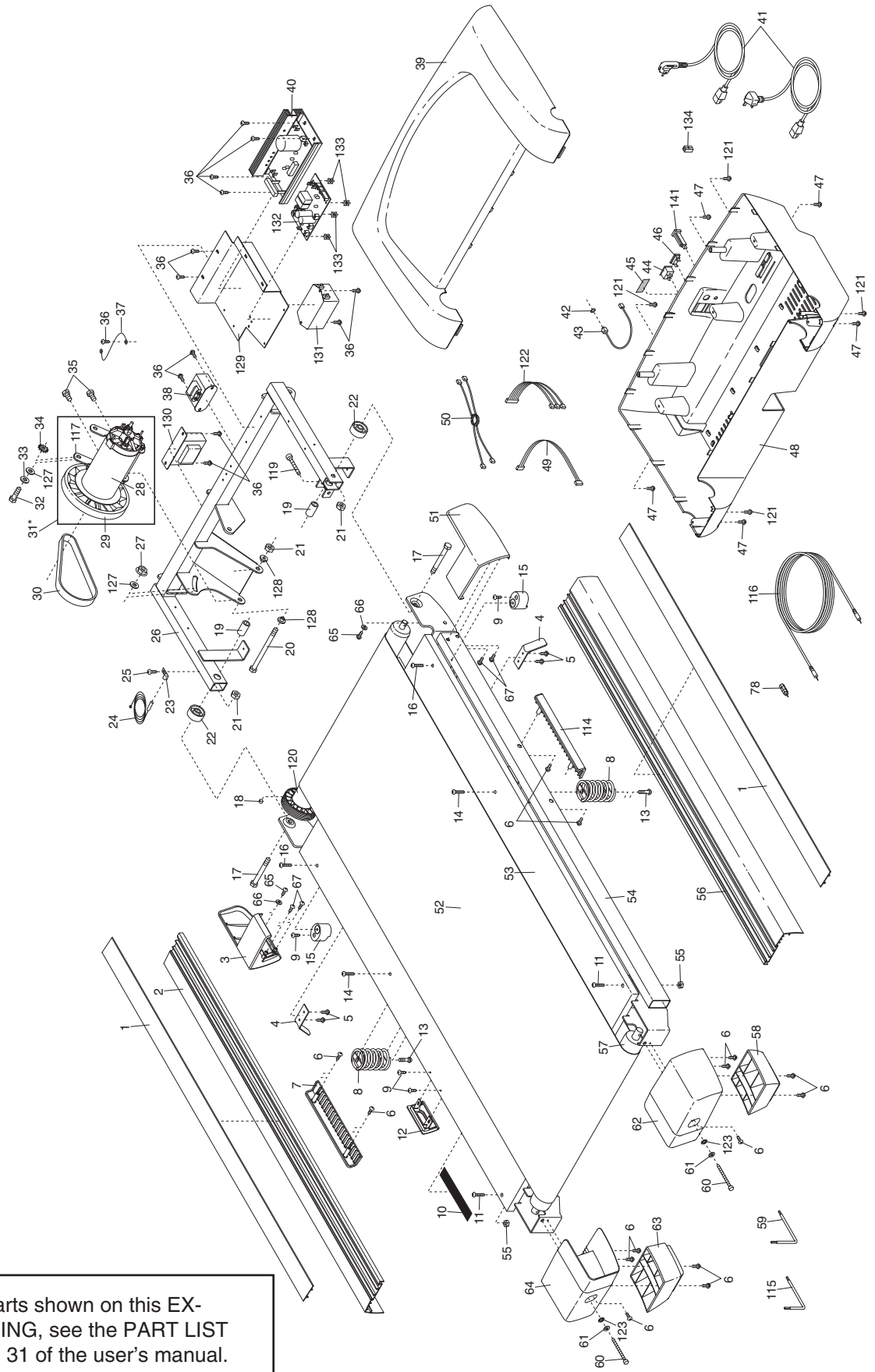


EXPLODED DRAWING—Model No. PETL55130

R0304A



To identify the parts shown on this EX-
PLODED DRAWING, see the PART LIST
on pages 30 and 31 of the user's manual.

EXPLODED DRAWING—Model No. PETL55130

R0304A

