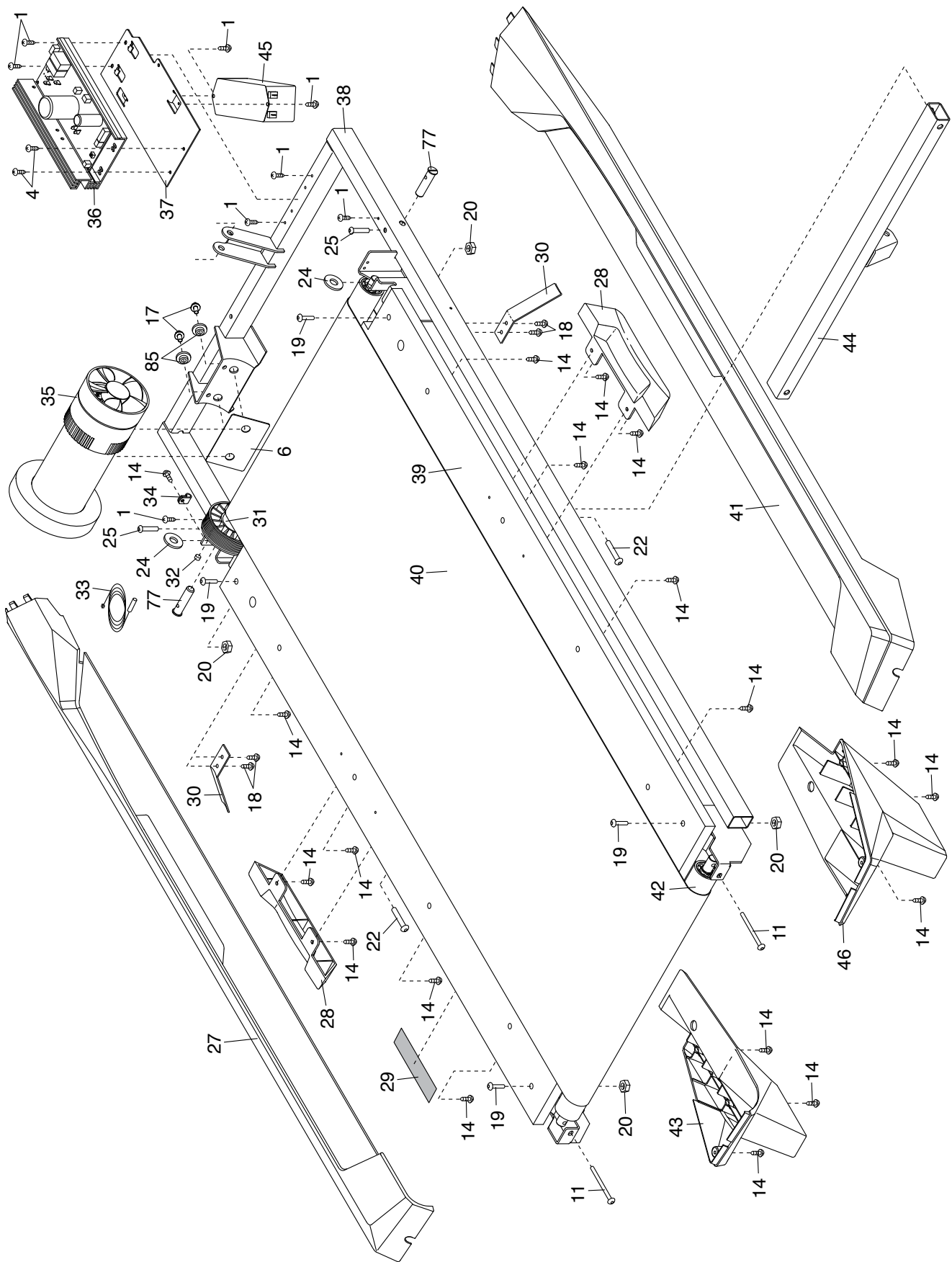


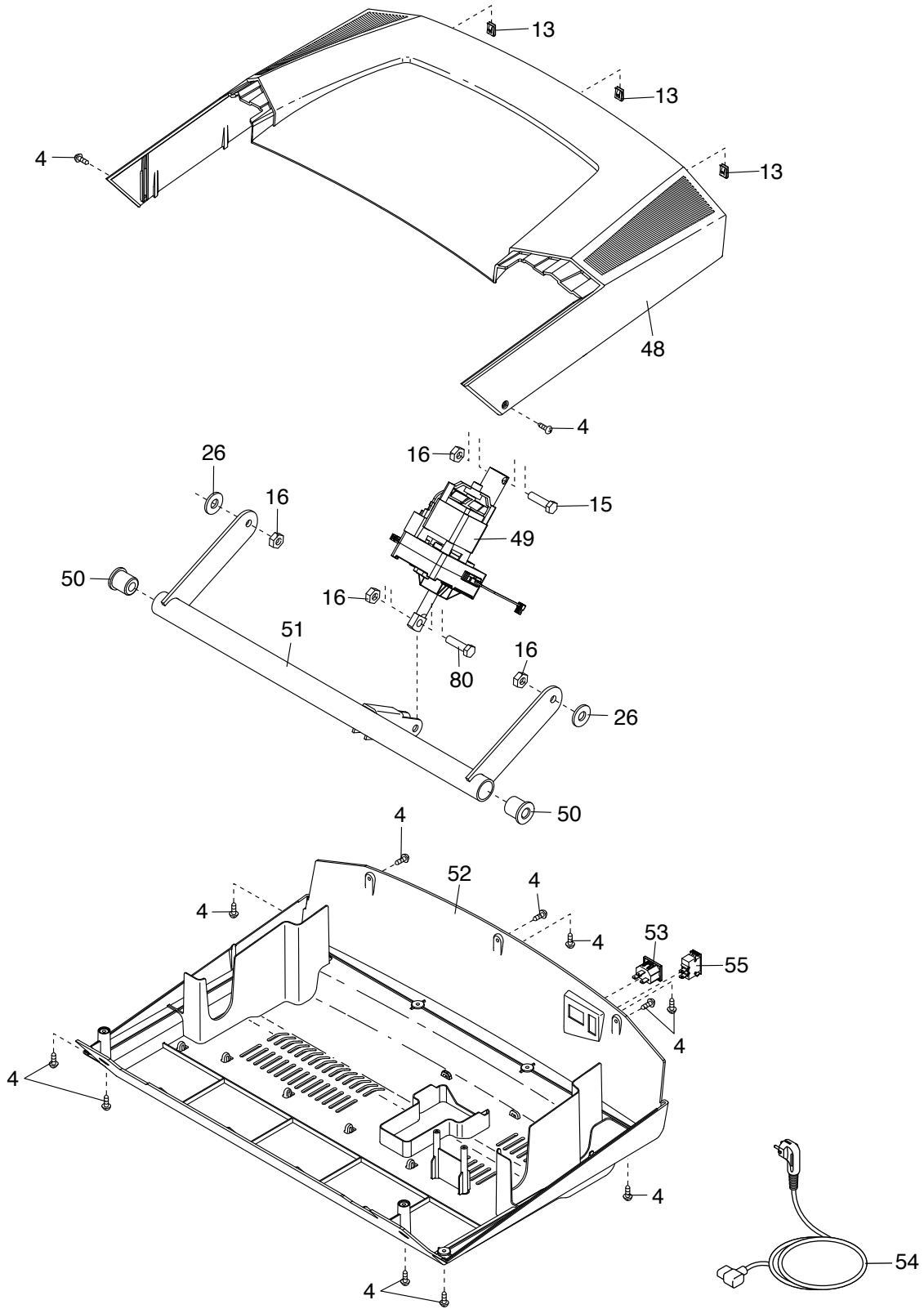
EXPLODED DRAWING A

Model No. PETL59713.0 R0913A



EXPLODED DRAWING B

Model No. PETL59713.0 R0913A



EXPLODED DRAWING C

Model No. PETL59713.0 R0913A

