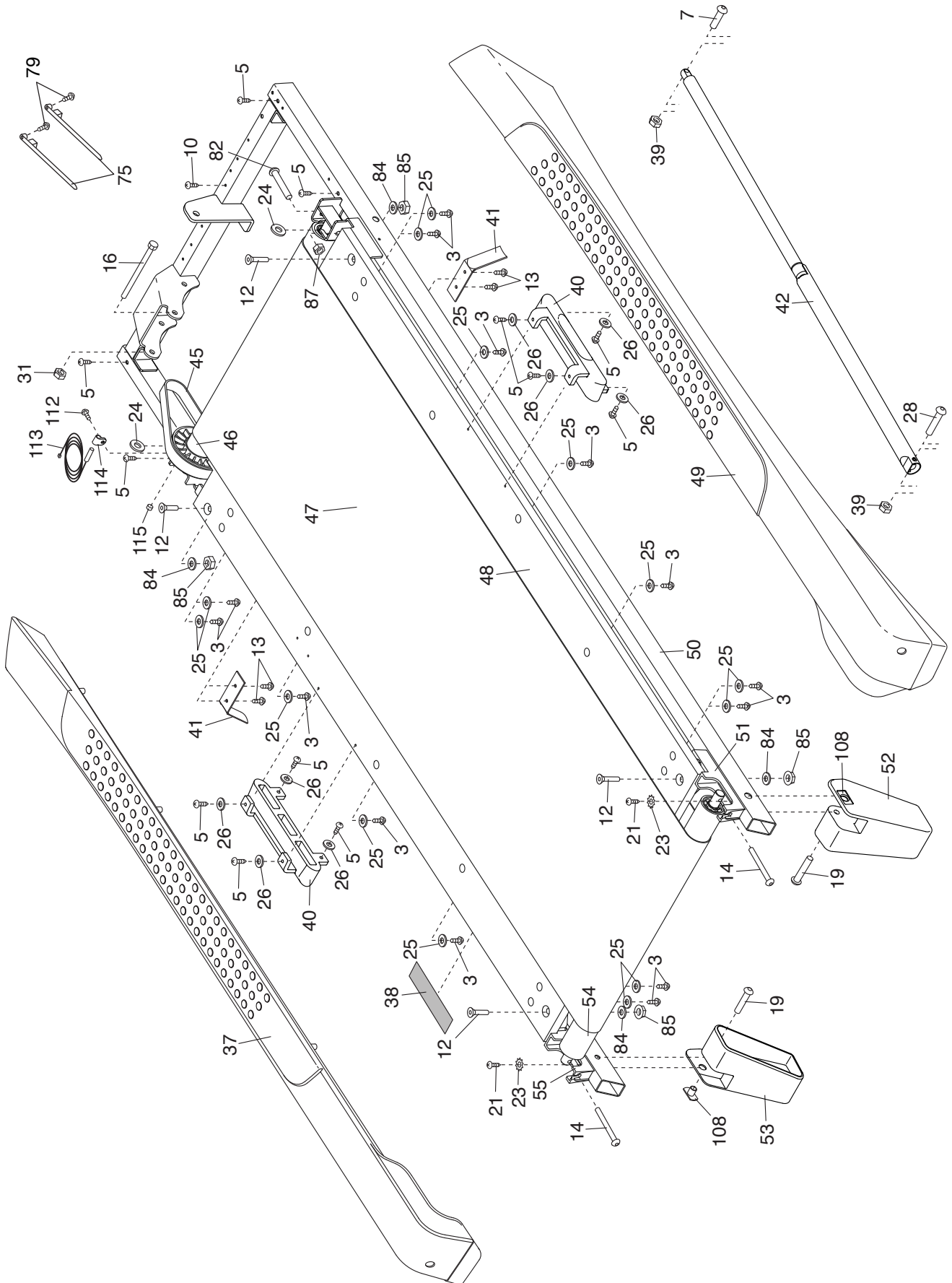


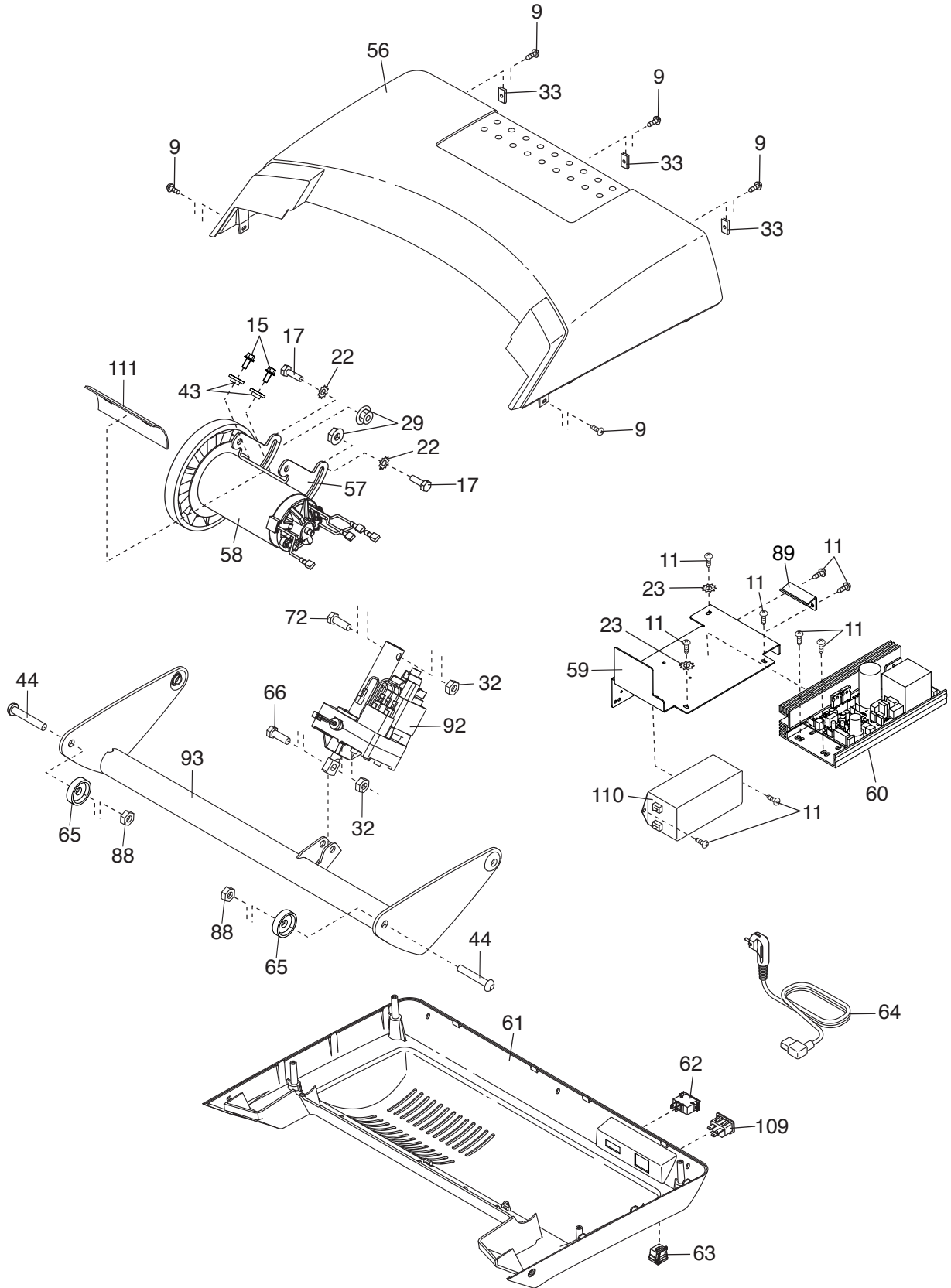
EXPLODED DRAWING A

Model No. PETL59815.0 R0115B



EXPLODED DRAWING B

Model No. PETL59815.0 R0115B



EXPLODED DRAWING D

Model No. PETL59815.0 R0115B

