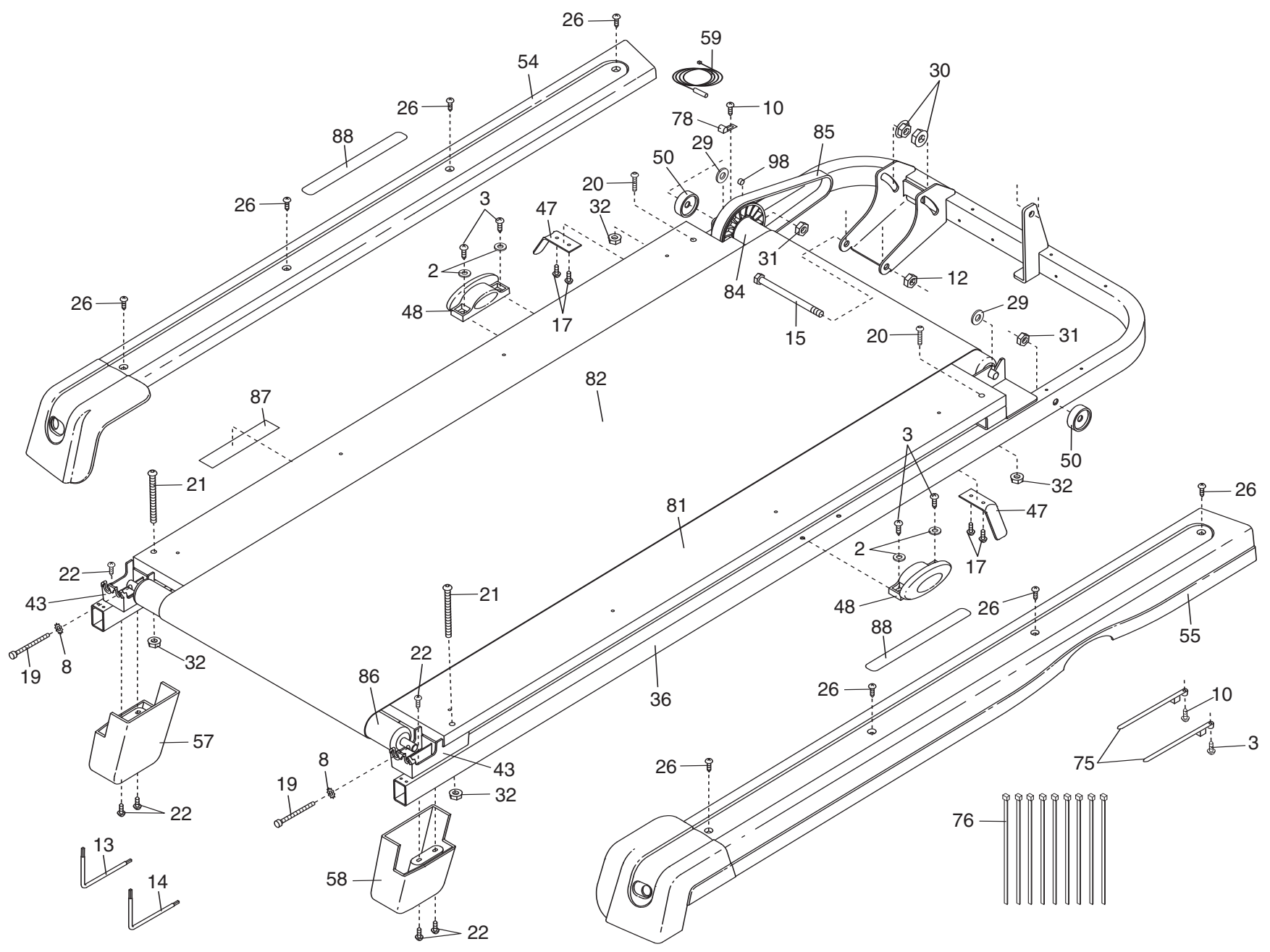


EXPLODED DRAWING A—Model No. PETL60707.0

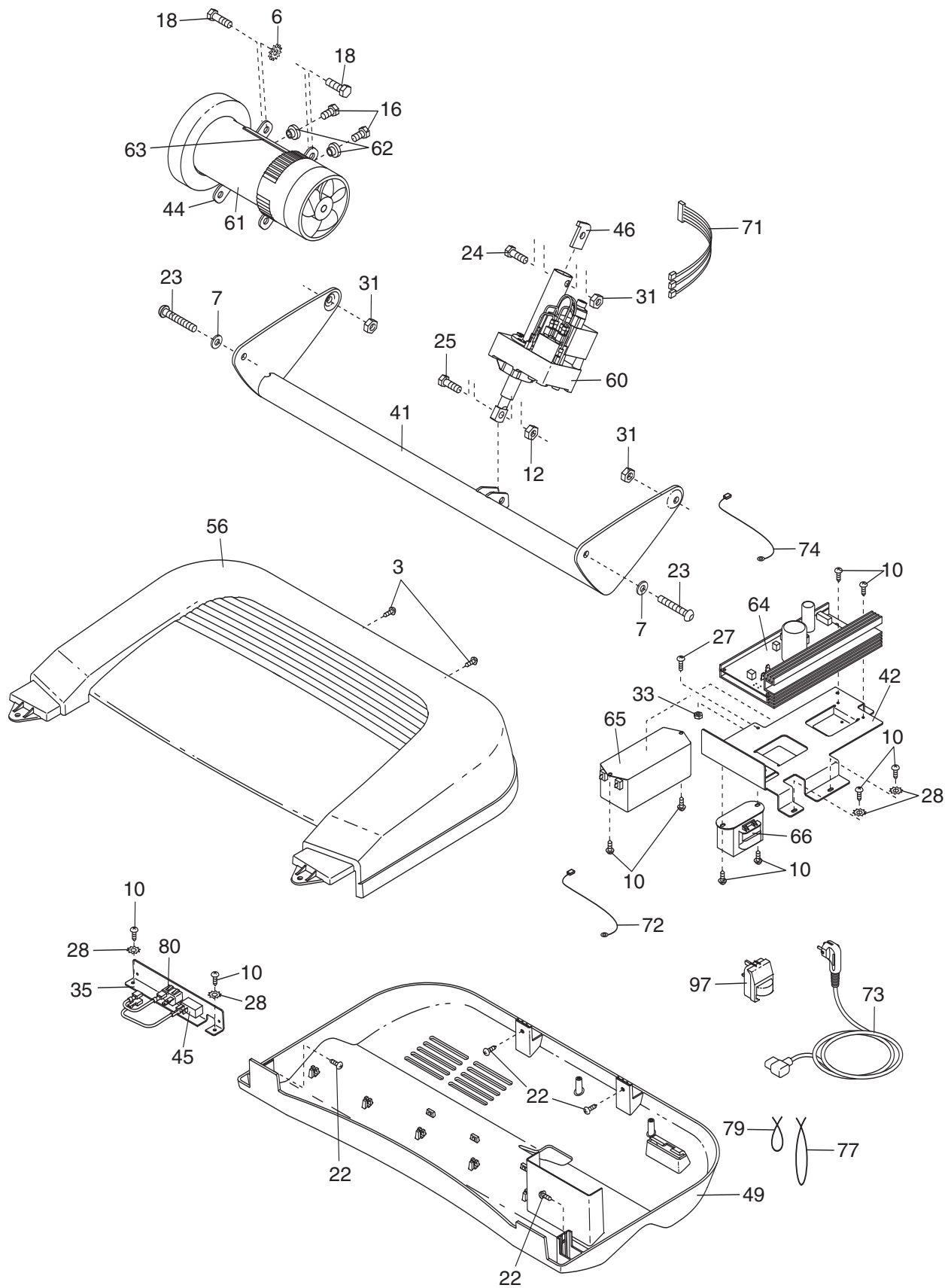
R0607A

25



EXPLODED DRAWING B—Model No. PETL60707.0

R0607A



EXPLODED DRAWING C—Model No. PETL60707.0

R0607A

