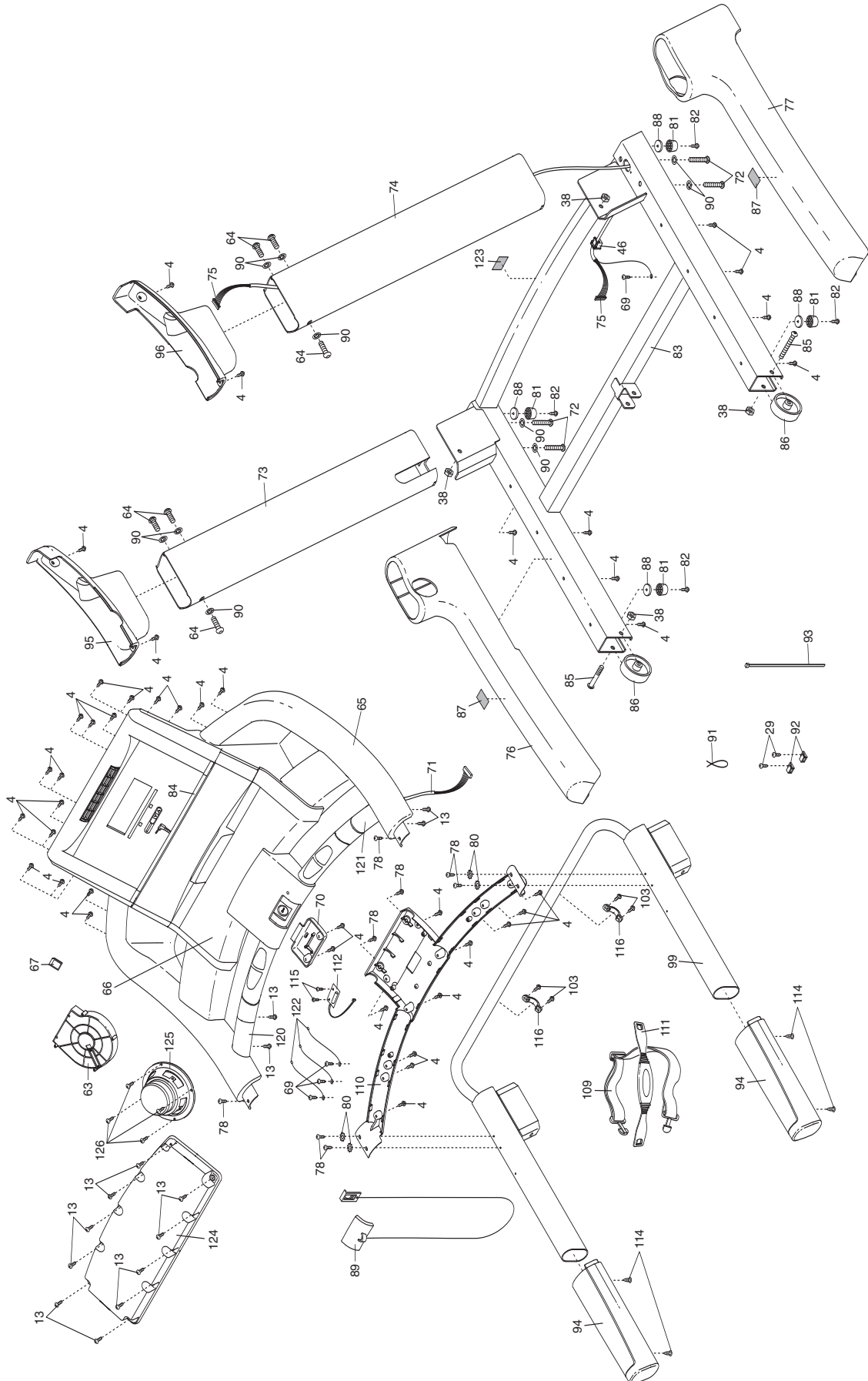


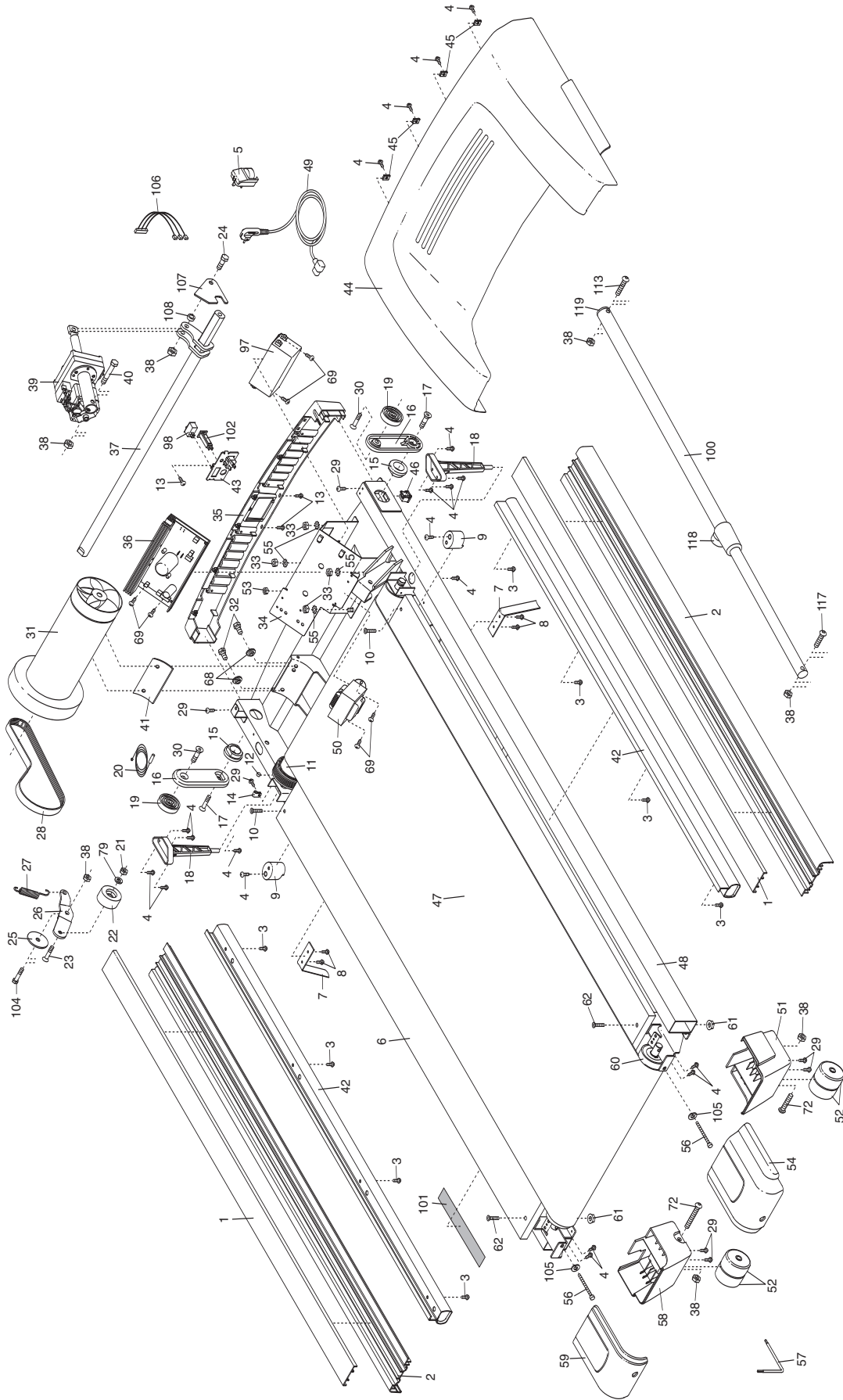
# EXPLODED DRAWING—Model No. PETL61606.1

R0107A



# EXPLODED DRAWING—Model No. PETL61606.1

R0107A



To identify the parts shown on this EXPLODED DRAWING, see the PART LIST on pages 30 and 31.