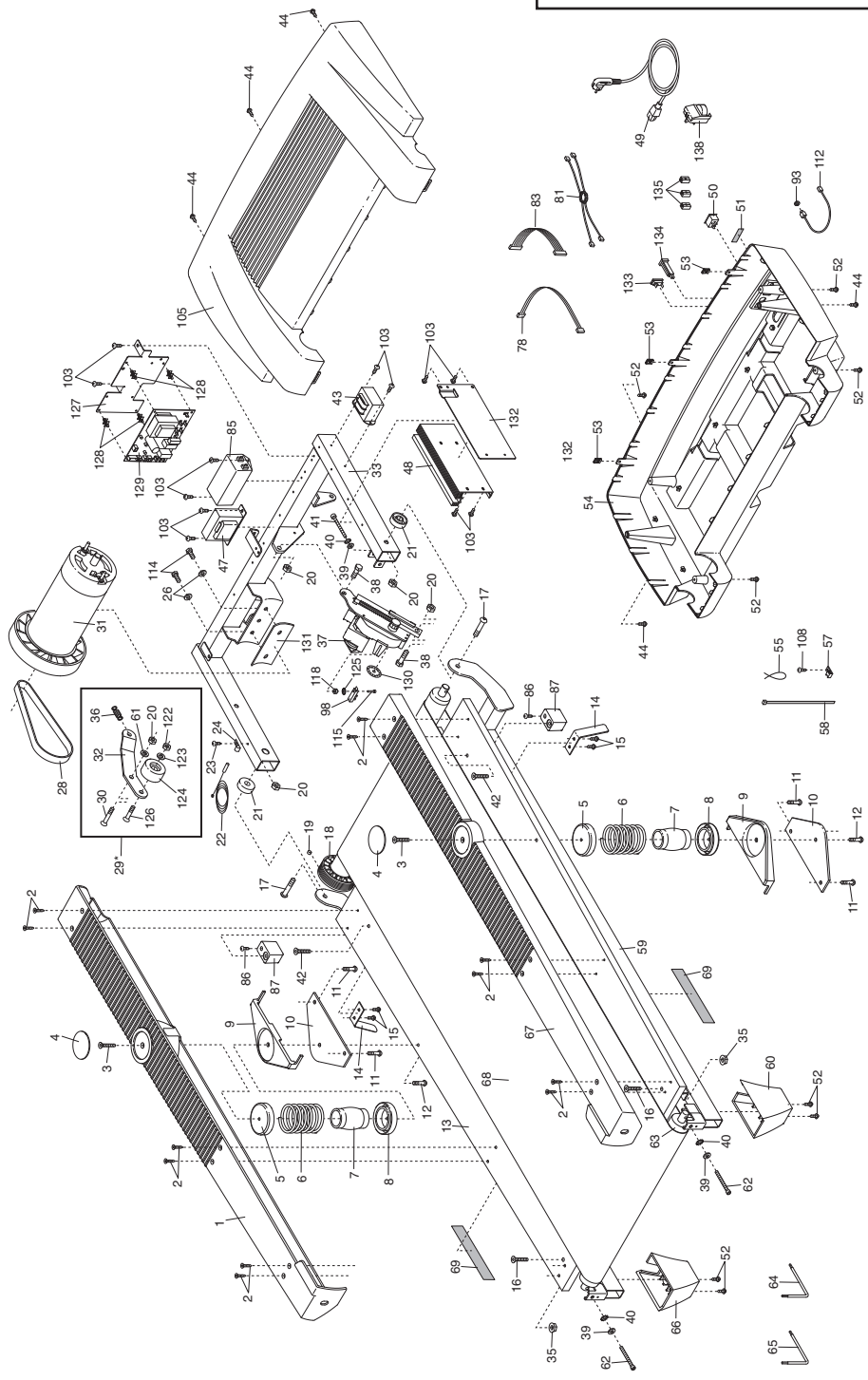


# EXPLODED DRAWING—Model No. PETL75135

R1004A

To identify the parts shown on this EXPLODED DRAWING, see the PART LIST on pages 30 and 31 of the user's manual.



# EXPLODED DRAWING—Model No. PETL75135

R1004A

