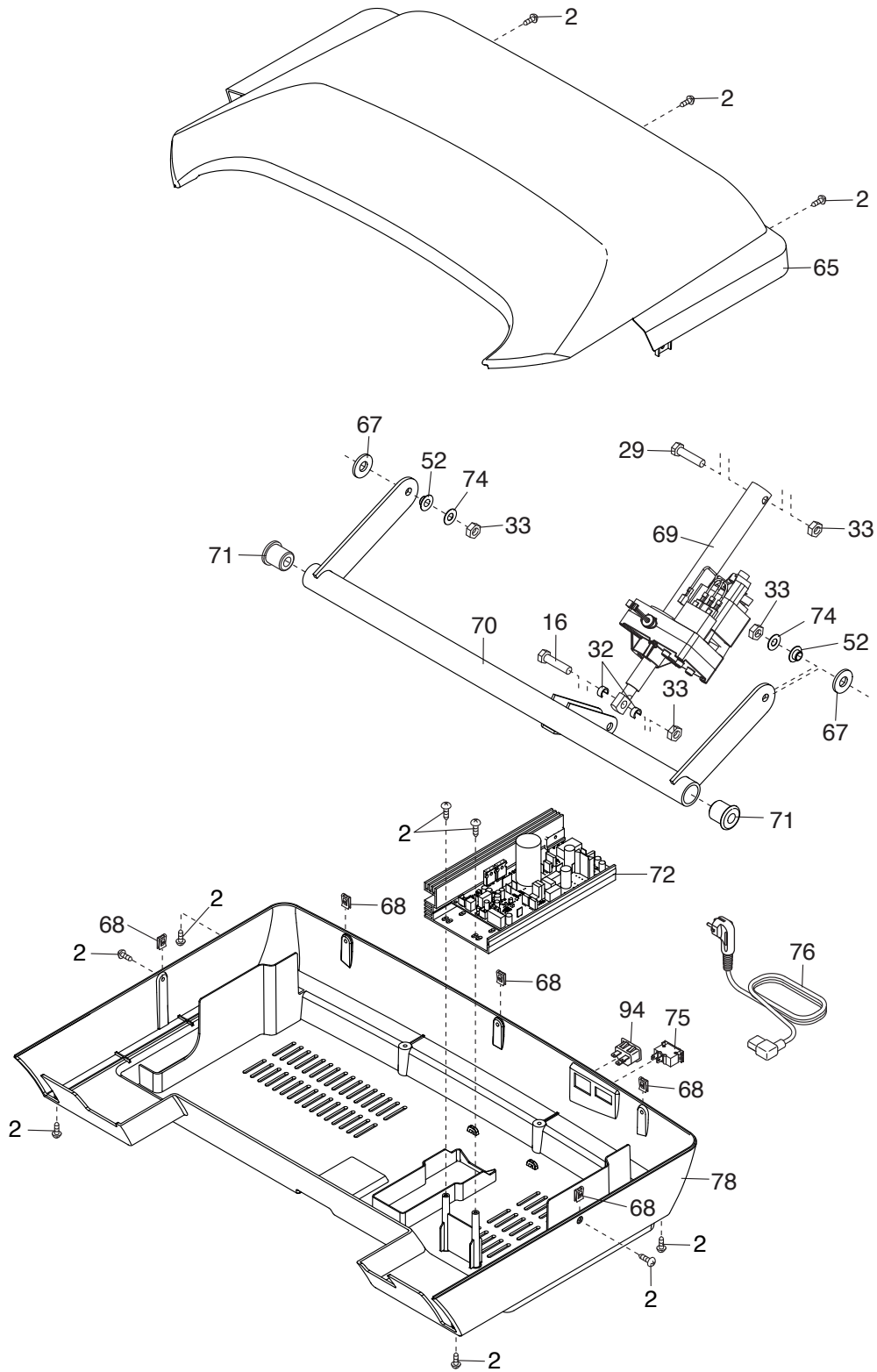




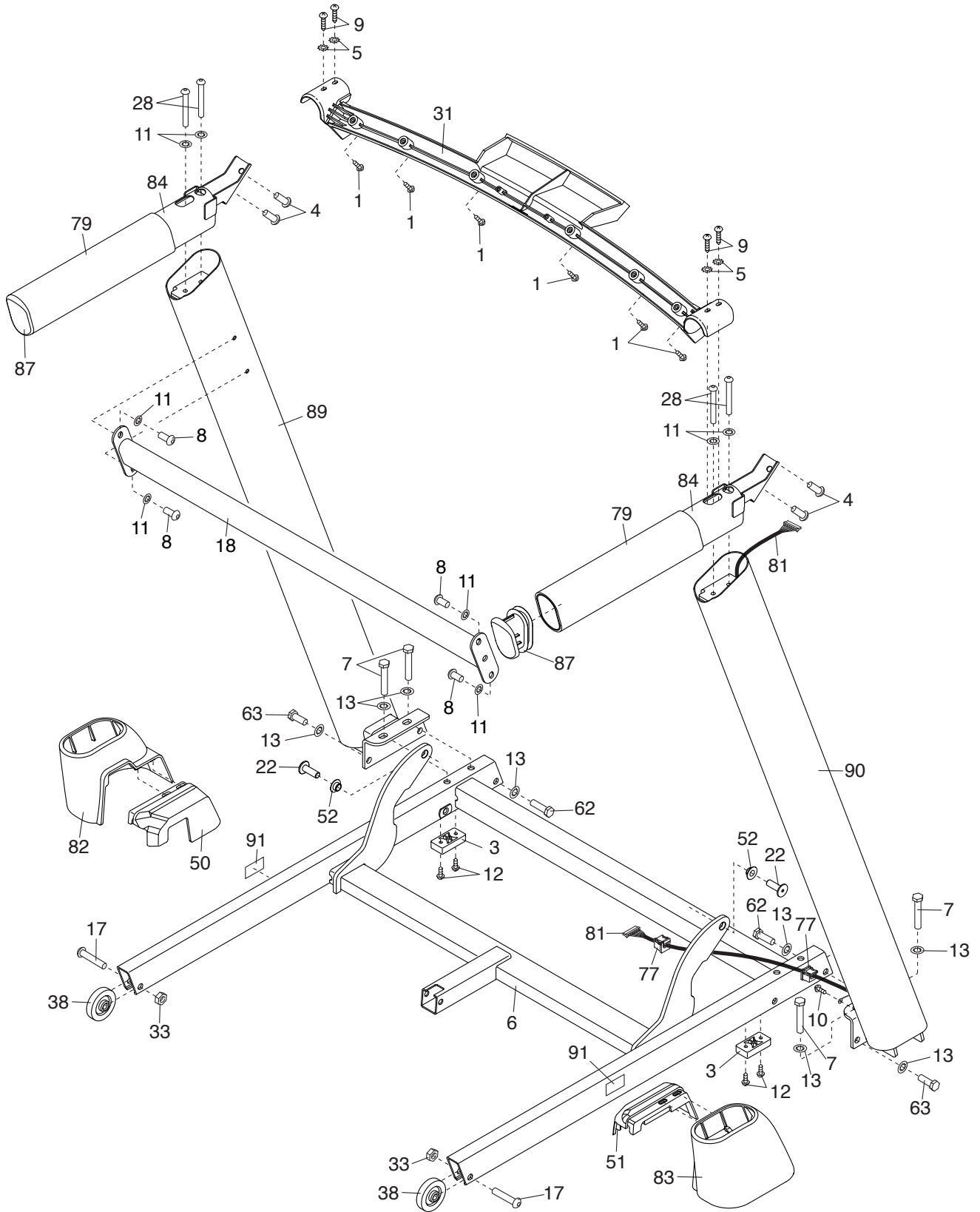
# EXPLODED DRAWING B

Model No. PETL78717.0 R0317A



# EXPLODED DRAWING C

Model No. PETL78717.0 R0317A



# EXPLODED DRAWING D

Model No. PETL78717.0 R0317A

