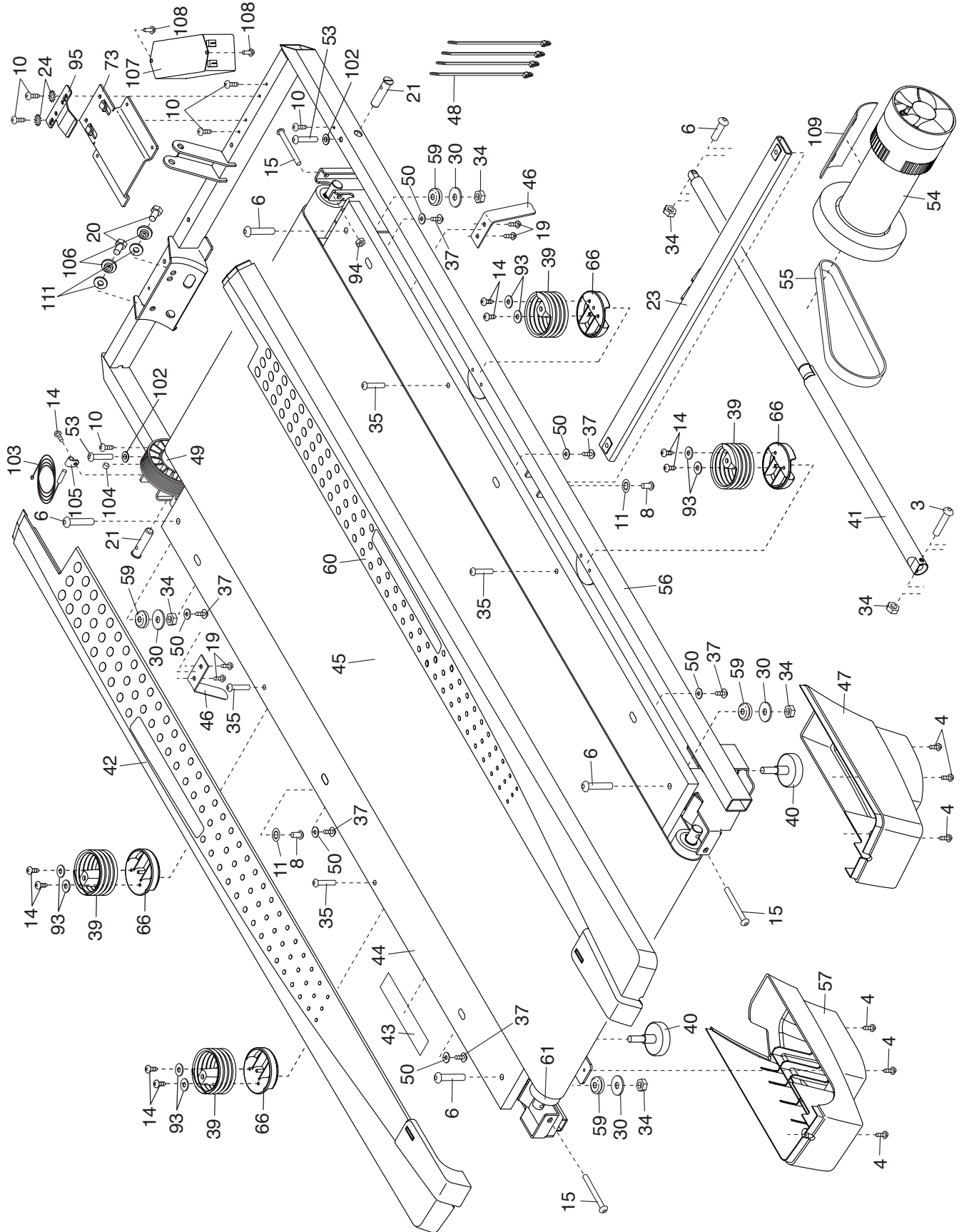


EXPLODED DRAWING A

Model No. PETL79717.0 R0117A



EXPLODED DRAWING B

Model No. PETL79717.0 R0117A

