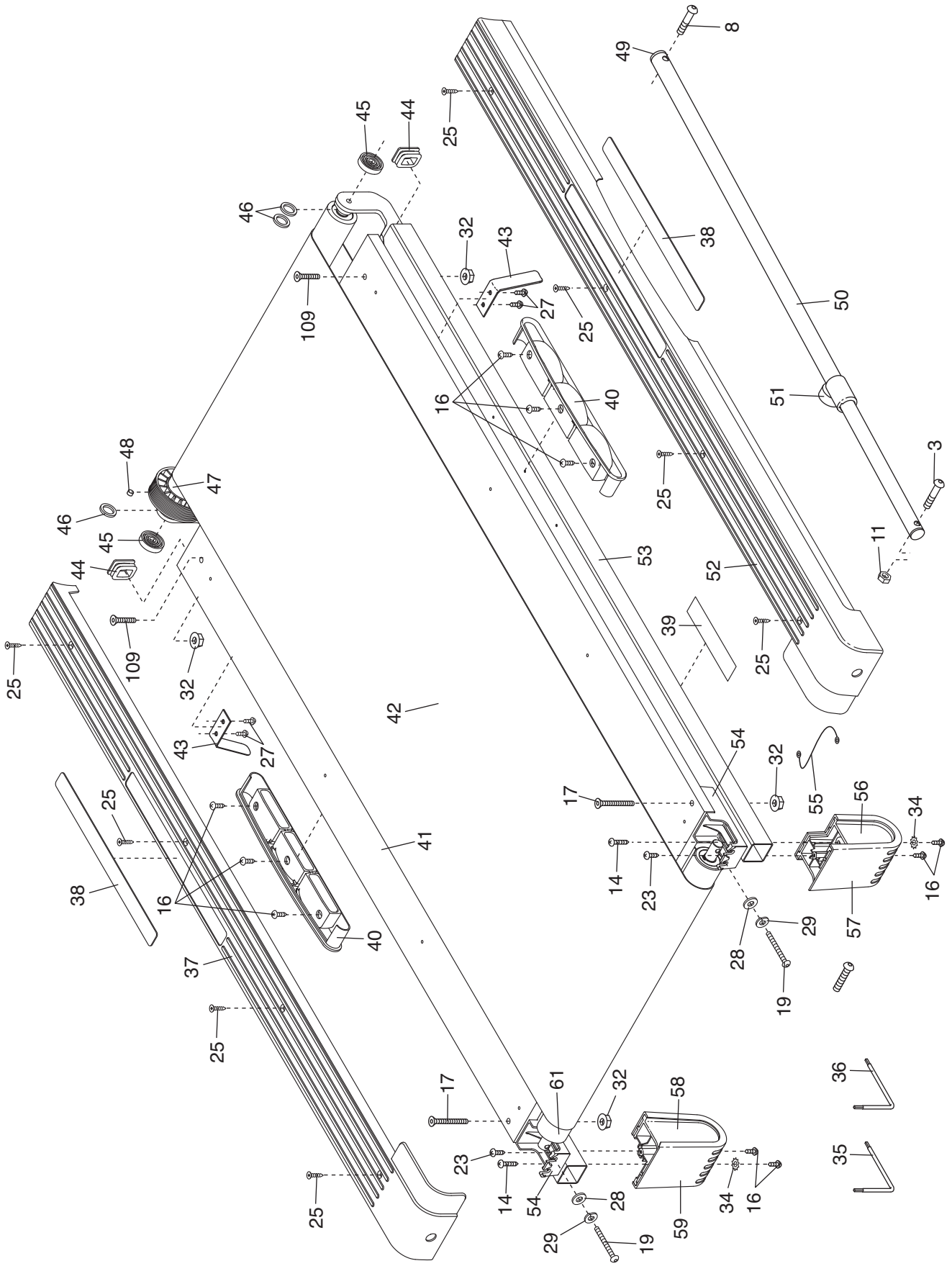


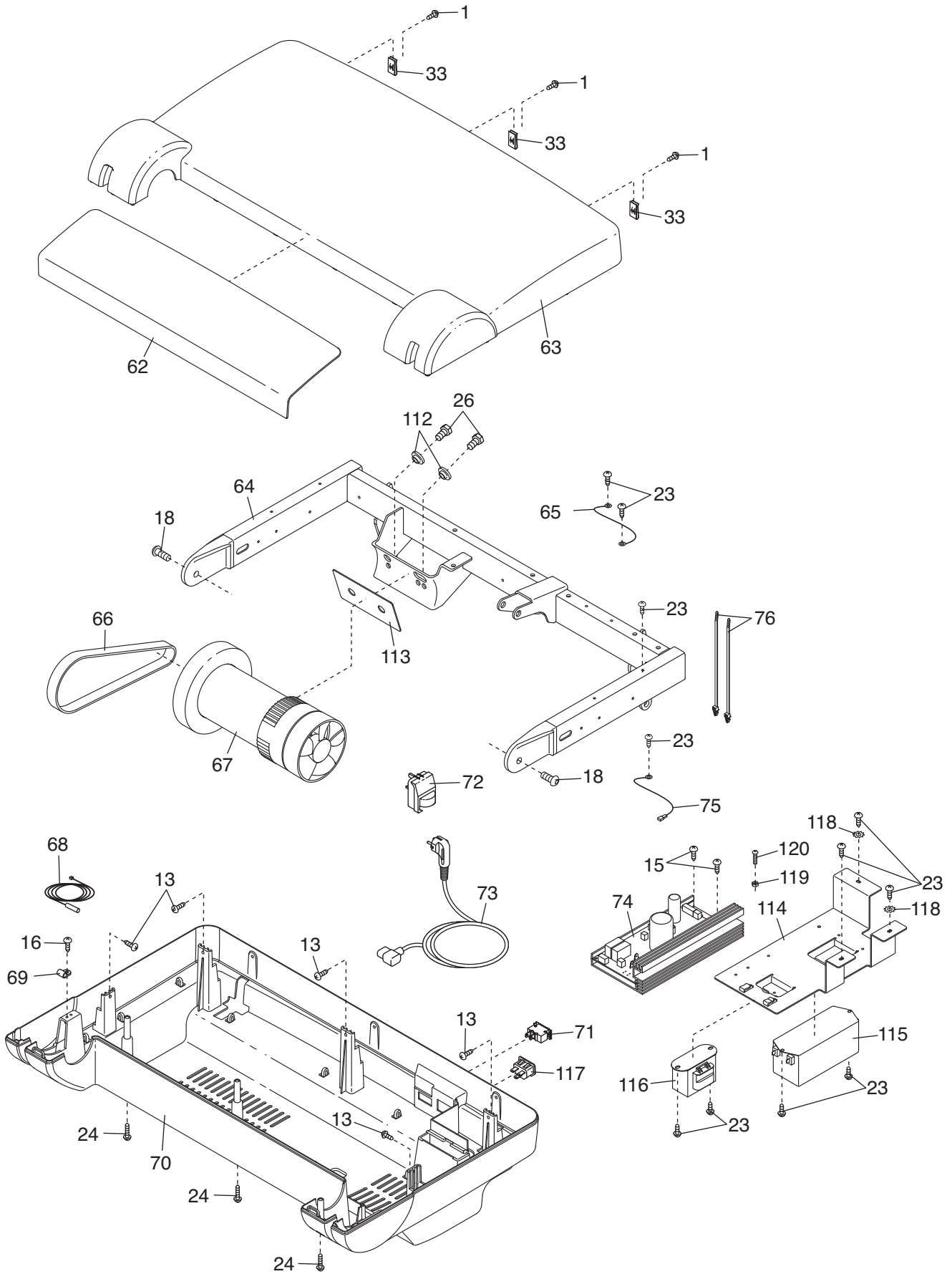
EXPLODED DRAWING A—Model No. PETL81708.0

R0908B



EXPLODED DRAWING B—Model No. PETL81708.0

R0908B



EXPLODED DRAWING D—Model No. PETL81708.0

R0908B

