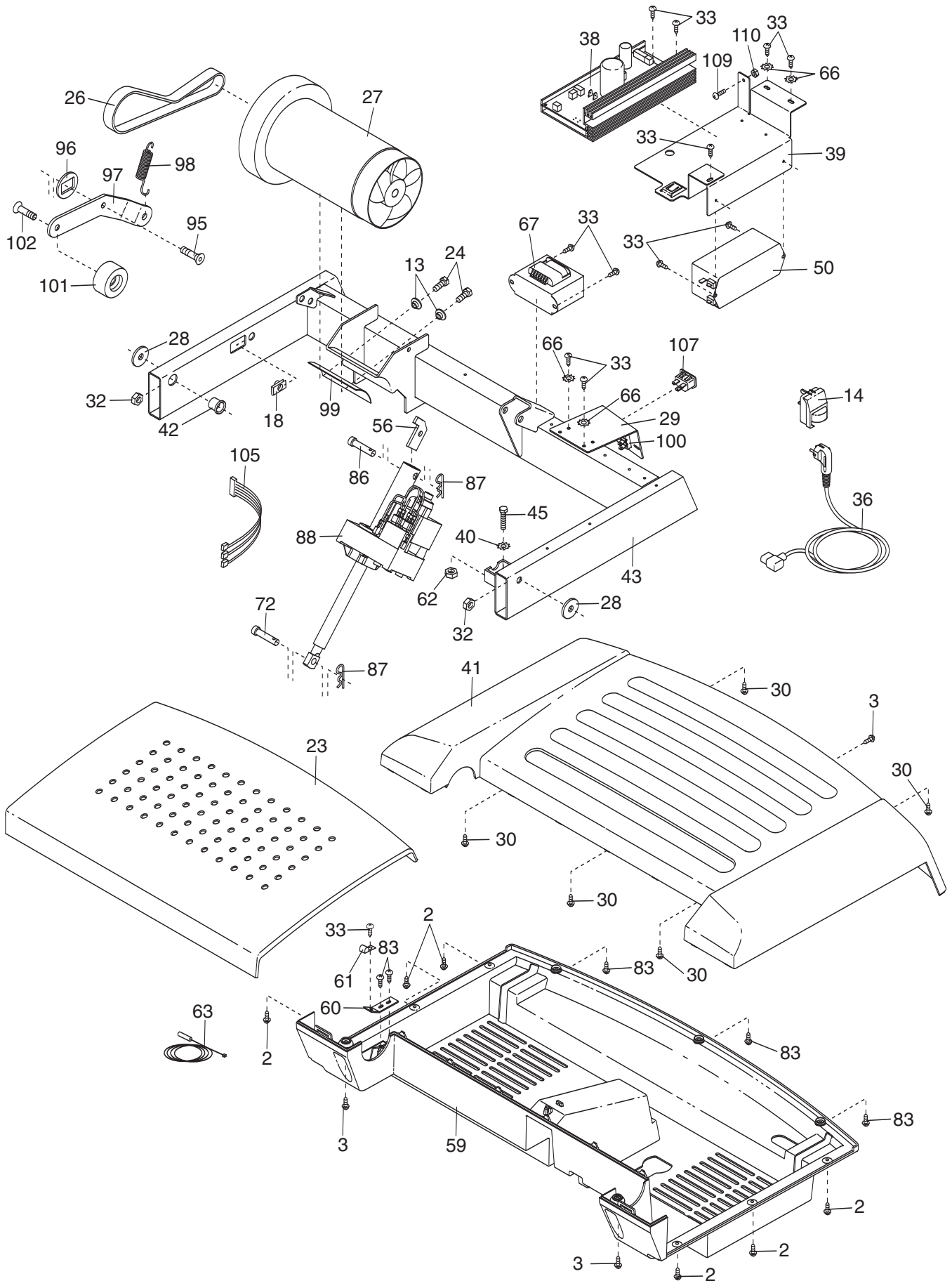


EXPLODED DRAWING B—Model No. PETL90707.0

R0607A



EXPLODED DRAWING C—Model No. PETL90707.0

R0607A

