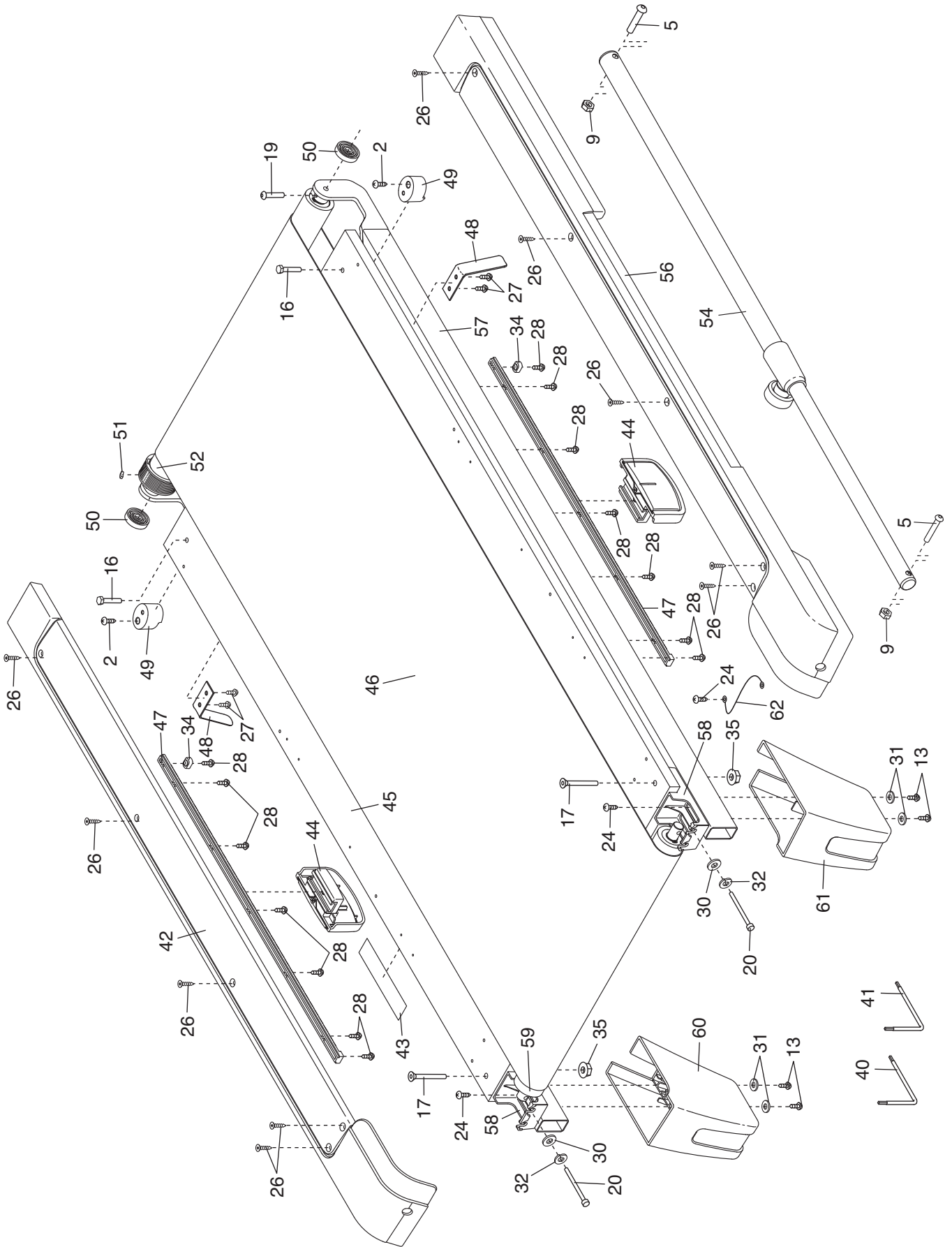


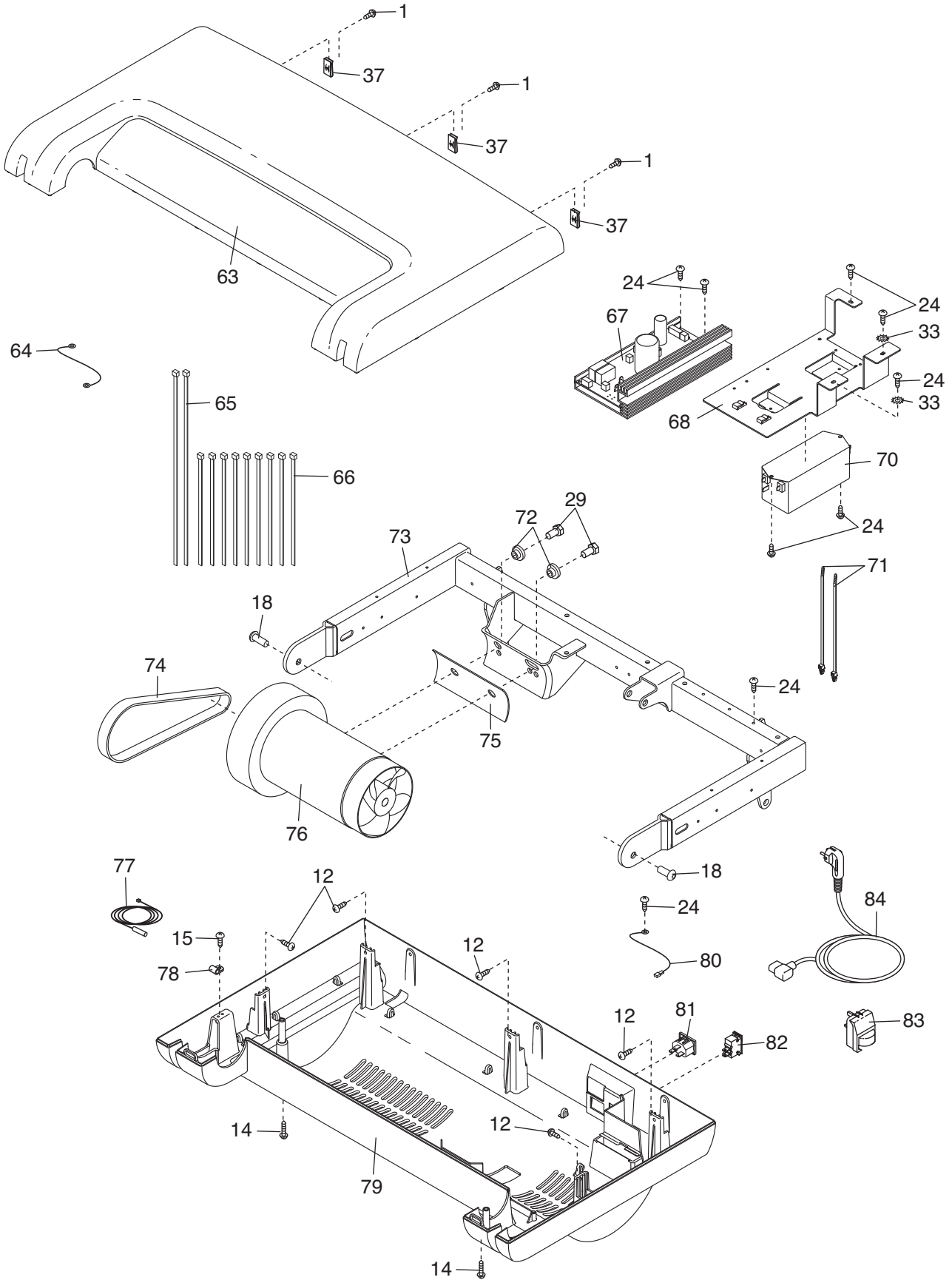
# EXPLODED DRAWING A—Model No. PETL98809.0

R0410A



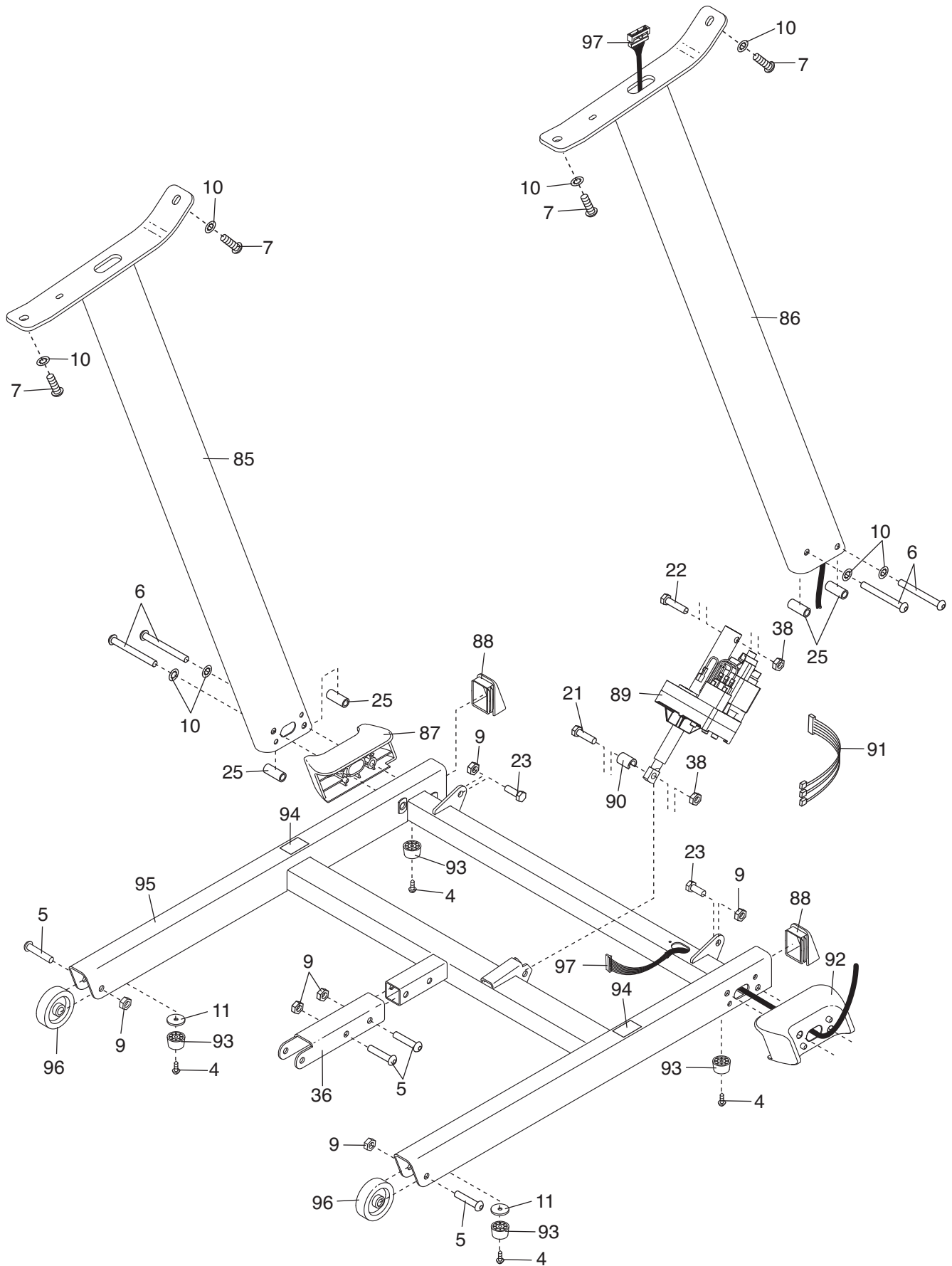
# EXPLODED DRAWING B—Model No. PETL98809.0

R0410A



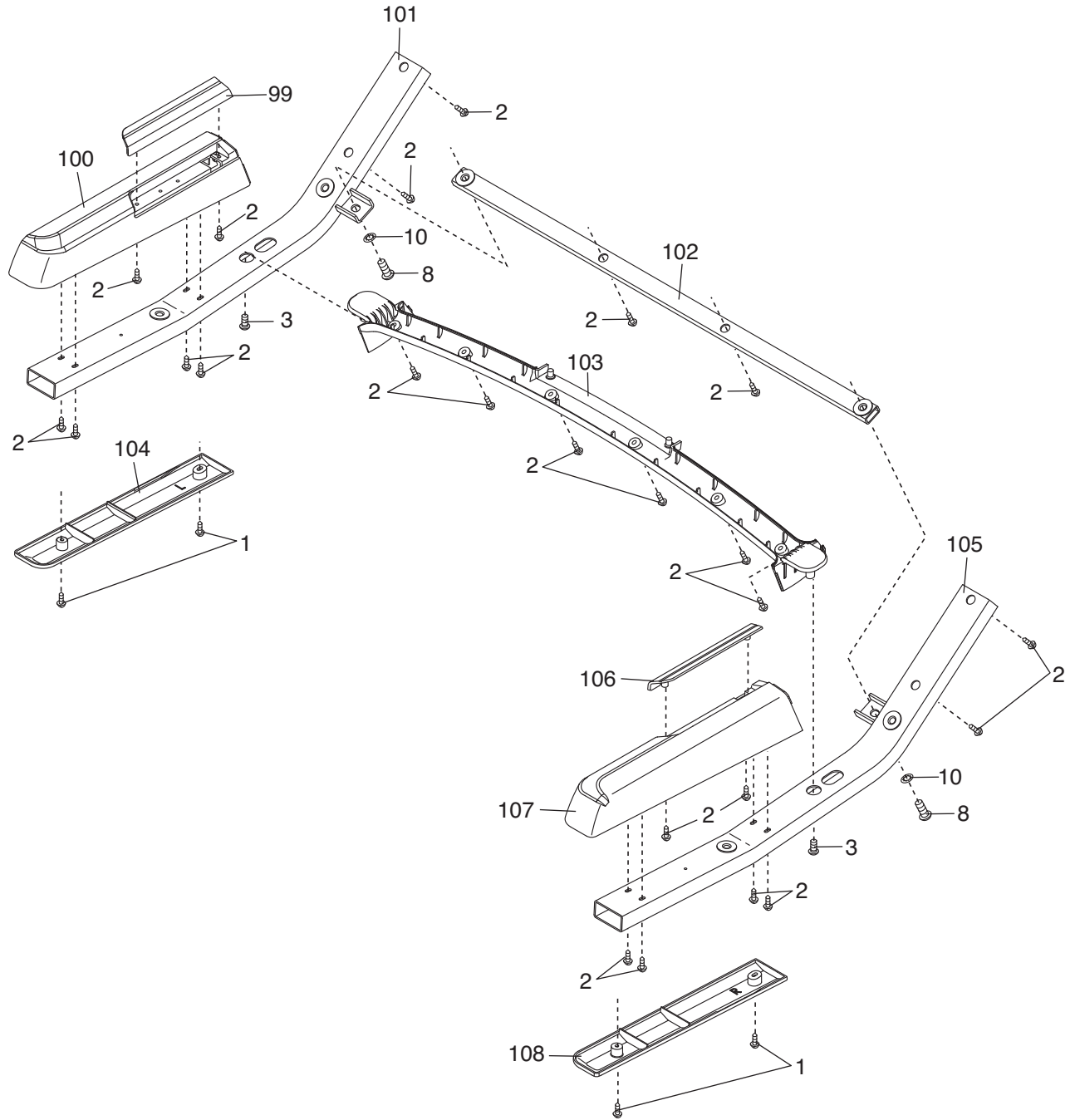
# EXPLODED DRAWING C—Model No. PETL98809.0

R0410A



# EXPLODED DRAWING D—Model No. PETL98809.0

R0410A



# EXPLODED DRAWING E—Model No. PETL98809.0

R0410A

