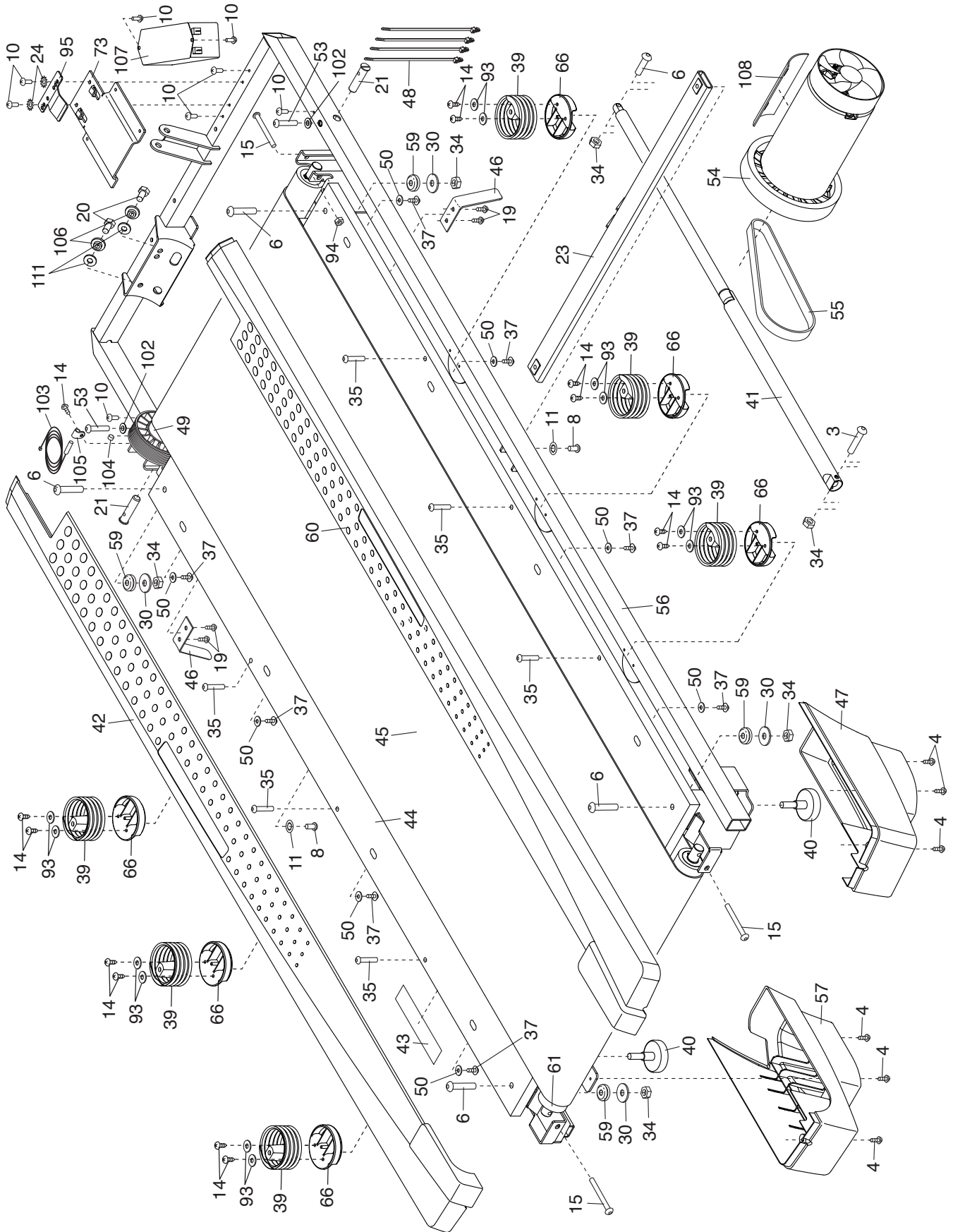


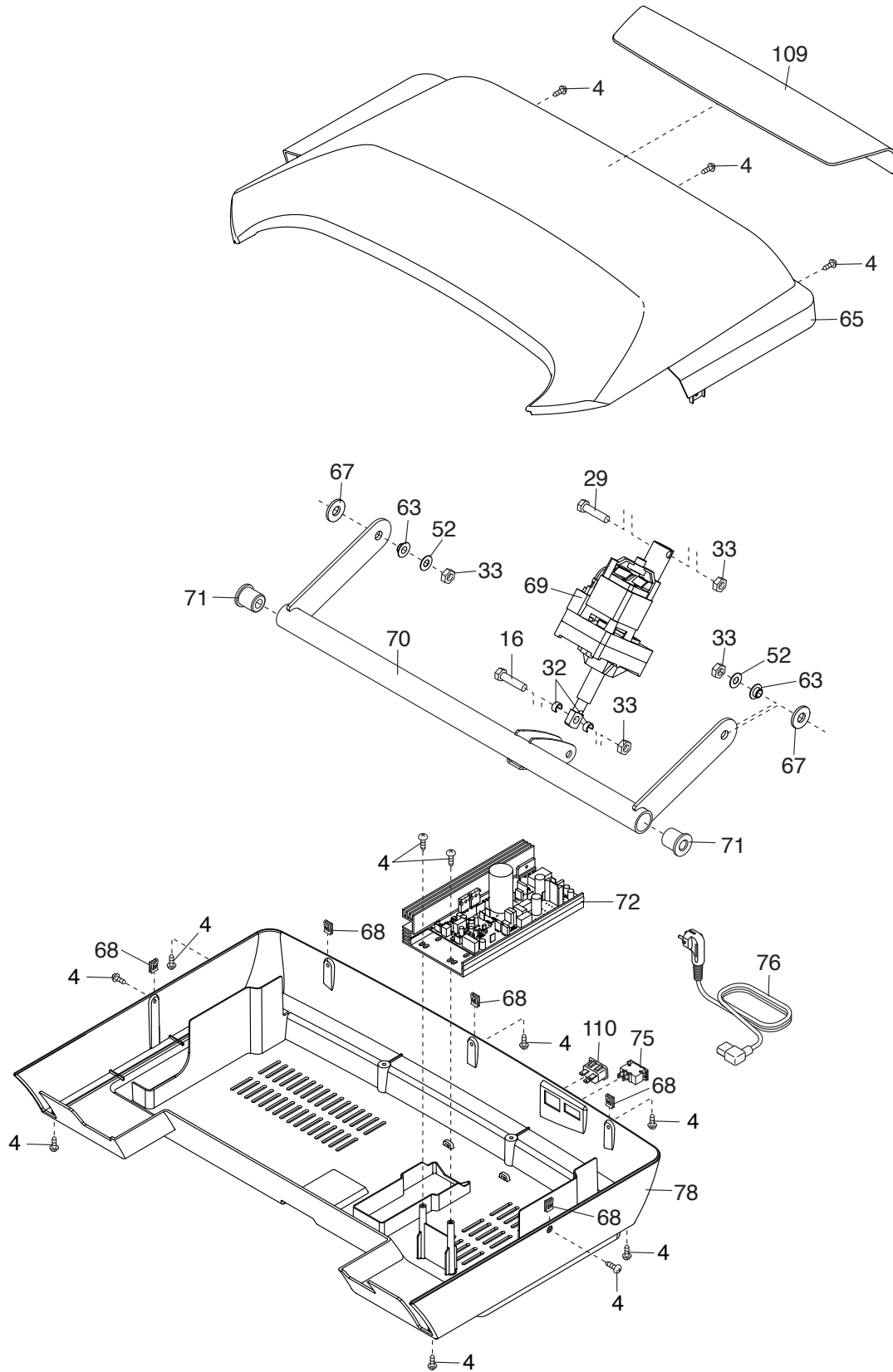
EXPLODED DRAWING A

Model No. PETL99717.0 R0517B



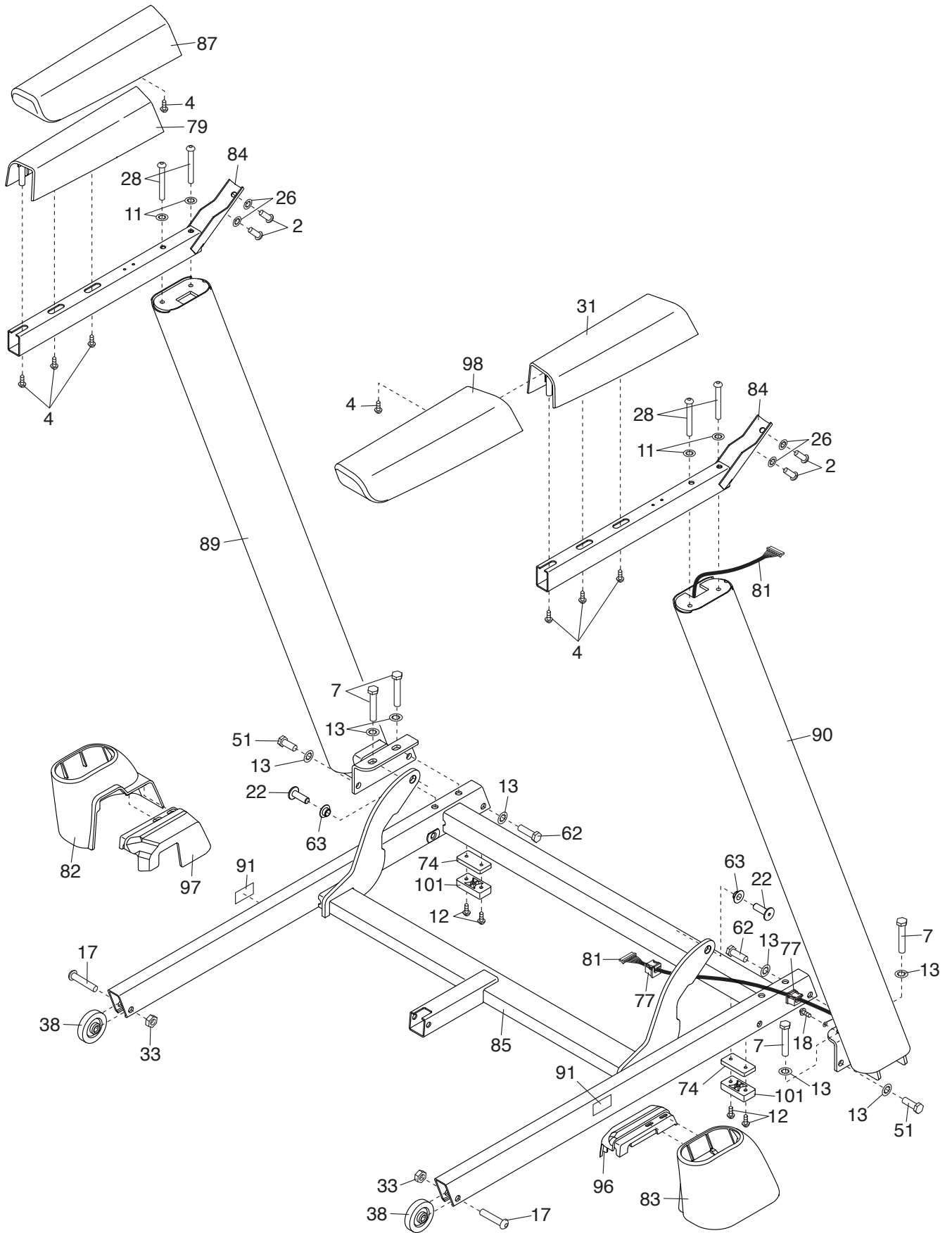
EXPLODED DRAWING B

Model No. PETL99717.0 R0517B



EXPLODED DRAWING C

Model No. PETL99717.0 R0517B



EXPLODED DRAWING D

Model No. PETL99717.0 R0517B

