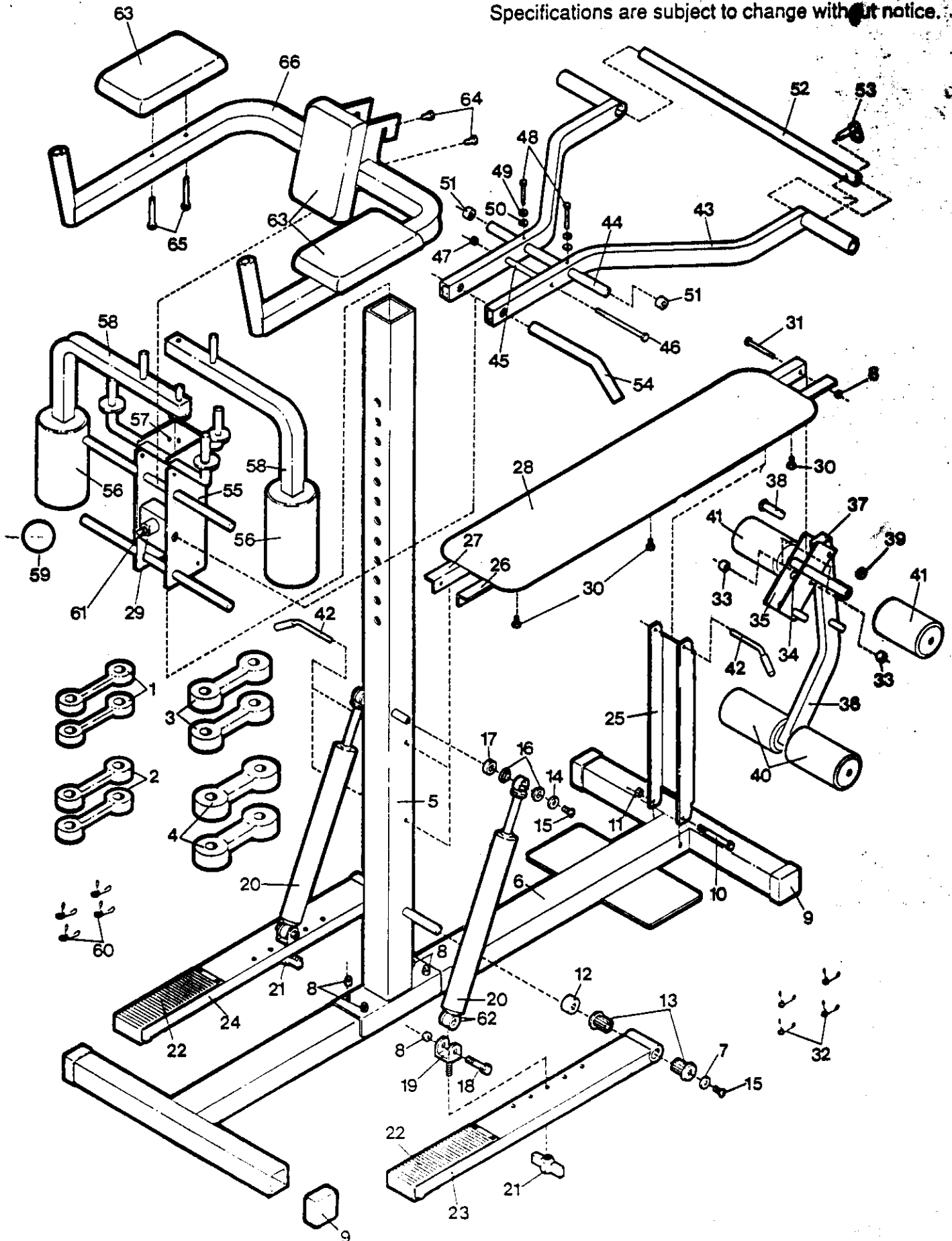


# EXPLODED DRAWING- Model No. PF075010

Rev. 11/91

Specifications are subject to change without notice.



MODEL NUMBER: PF07501  
 VERSION: 00  
 PRODUCT NAME: PROFORM FLEX FORCE  
 PRODUCT DESC:

MODEL/PART BOOK LISTING

PAGE 1  
 INI023P1  
 RUN DATE: 1/23/97  
 RUN TIME: 17:31:32

KEY NUMBER	PART NUMBER	DESCRIPTION	QUANTITY
1	105736	#5 WEIGHTBAND	2
2	105739	#10 WEIGHTBAND	2
3	105741	#25 WEIGHTBAND	2
4	105885	#50 WEIGHTBAND	2
5	105053	UPRIGHT POST	1
6	107269	BASE W/DECAL	1
	.	105042 BASE	1
	.	107617 BASE DECAL	1
7	014164	PEDAL WASHER	2
8	012108	NYLOCK NUT	7
9	105723	BASE ENDCAP	4
10	013553	BENCH SUPPORT BOLT, 4" L	1
11	012082	BENCH SUPPORT NUT	1
12	100105	PEDAL SPACER	2
13	100048	PEDAL BUSHING	4
14	014129	UPPER WASHER	2
15	013244	BOLT, .60" L	4
16	106876	UPPER CYLINDER BSHG SET	2
17	100052	CYLINDER SPACER	2
18	104063	CYLINDER BOLT, 1.75" L	2
19	100196	CYLINDER BRACKET	2
20	105445	RESISTANCE CYLINDER	2
21	100108	BRACKET KNOB	2
22	106872	PEDAL COVER ASSEMBLY	2
	.	111572 PEDAL COVER	1
	.	100873 TAPE, QTY. .00926	0
23	106873	RIGHT PEDAL ASSEMBLY	1
24	106874	LEFT PEDAL ASSEMBLY	1
25	105132	BENCH SUPPORT BRACKET	1
26	105204	RIGHT BENCH RAIL	1
27	106081	LEFT BENCH RAIL	1
28	107268	BENCH	1
29	100076	SPRING	1
30	103368	PHILLIPS BOLT, 1/2" L	6
31	106554	MOUNT BOLT, 4" L	1
32	106556	RETAINER SPRING, 5/8"	4
33	104724	OUTER SPACER, .708"	2
34	104723	INNER SPACER, 1.32"	1
35	107273	LEVER MOUNT ASSEMBLY *	1
	.	106143 LEVER MOUNT	1
	.	100150 AXLECAP	1
36	107272	LEG LEVER ASSEMBLY	1
	.	108386 LEG LEVER	1
	.	103779 FOAM PAD MNT TUBE	1
	.	100150 AXLECAP	1
	.	104794 ENDCAP	1
	.	106576 WARNING DECAL	1
	.	108393 CONSUMER NOTICE	1
37	104794	LEG LEVER ENDCAP	1
38	107653	LEG LEVER PIN W/AXLECAP	1
	.	105381 LEG LEVER PIN	1
	.	100150 AXLECAP	1
39	100150	AXLECAP	1
40	103805	LEG LEVER FOAM PAD	4

MODEL NUMBER: PF07501  
 VERSION: 00  
 PRODUCT NAME: PROFORM FLEX FORCE  
 PRODUCT DESC:

MODEL/PART BOOK LISTING

PAGE 2  
 INI023P1  
 RUN DATE: 1/23/97  
 RUN TIME: 10:31:32

KEY NUMBER	PART NUMBER	DESCRIPTION	QUANTITY
41	.	SEE KEY# 40	0
42	105976	BENCH PIN	2
43	105199	PRESS ARM (MAIN ARM)	2
44	107304	PRESS ARM ROD	1
45	106123	PRESS ARM BRACE SPACER	1
46	106146	BRACE BOLT, 6.5" L	1
47	105133	BRACE NUT	1
48	107341	ROD BOLT, 1" L	2
49	014126	ROD LOCKWASHER	2
50	014041	ROD WASHER	2
51	105972	WEIGHTBAND SPACER	2
52	105200	LAT BAR	1
53	100091	PULL PIN	1
54	100061	UPRIGHT PIN	1
55	107271	UPRIGHT SLEEVE ASSEMBLY	1
.	.	106822 UPRIGHT SLEEVE	1
.	.	106170 BUTTON BUSHING	12
.	.	106288 SLEEVE DECAL	1
56	105211	BUTTERFLY FOAM PAD	2
57	106170	BUTTON BUSHING	12
58	105195	BUTTERFLY ARM	2
59	100109	LOCK KNOB	1
60	100092	RETAINER SPRING, 3/4"	4
61	100077	LOCK PIN ASSEMBLY	1
62	106875	LOWER CYLINDER BSHG SET	2
63	107267	VKR FOAM PAD	3
64	103025	SHORT BOLT, 1/2" L	2
65	013498	LONG BOLT, 2" L	4
66	105175	VKR FRAME	1
.	.	NON-ILLUSTRATED PARTS:	0
.	.	NOTE: EXTRA WEIGHT BANDS	0
.	.	AND LOCKING BANDS MAY BE	0
.	.	ORDERED FOR THIS UNIT.	0
A	104838	GREASE	1
B	106288	UPRIGHT SLEEVE DECAL	1
C	106974	PEDAL DECAL	2
D	107617	BASE DECAL	1
E	106576	LEG LEVER DECAL	1
F	100644	LOCKING BANDS	1
G	.	(OPTIONAL: NOT INCLUDED)	0
H	107316	EXERCISE MANUAL	1
I	106181	OWNERS MANUAL	1
.	106180	LITERATURE PACKET	1
.	.	106181 OWNERS MANUAL	1
.	.	107316 EXERCISE MANUAL	1
.	105693	HARDWARE KIT	1
.	.	104838 GREASE	1
.	.	100061 UPRIGHT PIN	1
.	.	105976 BENCH PIN	2
.	.	100092 RETAIN. SPRG, 5/8"	4
.	.	100108 BRACKET KNOB	2
.	.	100109 LOCK KNOB	1
.	.	105872 FRAME ASSY. KIT	1
.	.	012108 NYLOCK NUT	4

MODEL NUMBER: PF07501  
 VERSION: 00  
 PRODUCT NAME: PROFORM FLEX FORCE  
 PRODUCT DESC:

MODEL/PART BOOK LISTING

INT023P1

RUN DATE: 1/27/97  
 RUN TIME: 17:11:27

KEY NUMBER	PART NUMBER	DESCRIPTION	QUANTITY
.	.	013553 SPRT. BOLT 4"	1
.	.	012082 SPRT. NUT	1
.	.	105873 VKR ASSY. KIT	1
.	.	013498 LONG BOLT 2"	4
.	.	103025 SHORT BOLT 1/2"	2
.	.	105874 PRESS ASSY. KIT	1
.	.	106123 ARM BRACE SPACER	1
.	.	106146 BRACE BOLT 6.5"	1
.	.	105133 BRACE NUT	1
.	.	107341 ROD BOLT 1"	2
.	.	014041 ROD WASHER	2
.	.	014126 ROD LOCKWASHER	2
.	.	105972 WEIGHTBAND SPCR.	2
.	.	100091 PULL PIN	1
.	.	105883 STEPPER ASSY. KIT	1
.	.	013244 BOLT .60"	4
.	.	014164 LOWER WASHER	2
.	.	014129 UPPER WASHER	2
.	.	100052 CYLINDER SPACER	2
.	.	100105 PEDAL SPACER .5"	2
.	.	(NOTE: FROM 10/21/91 TO	0
.	.	11/30/91 107429 SPACER	0
.	.	WAS USED, .64")	0
.	.	106145 LEG MECHANISM KIT	1
.	.	104723 INNER SPCR.1.32"	1
.	.	104724 OUTER SPCR..708"	2
.	.	106554 MOUNT BOLT 4"	1
.	.	012108 NYLOCK NUT	1
.	.	105381 LEG LEVER PIN	1
.	.	100150 AXLE CAP	1
.	.	106556 RETAIN SPRG 3/4"	4
.	.	NOTE: HARDWARE KIT IS	0
.	.	SEPARATE FROM LIT PACKET	0