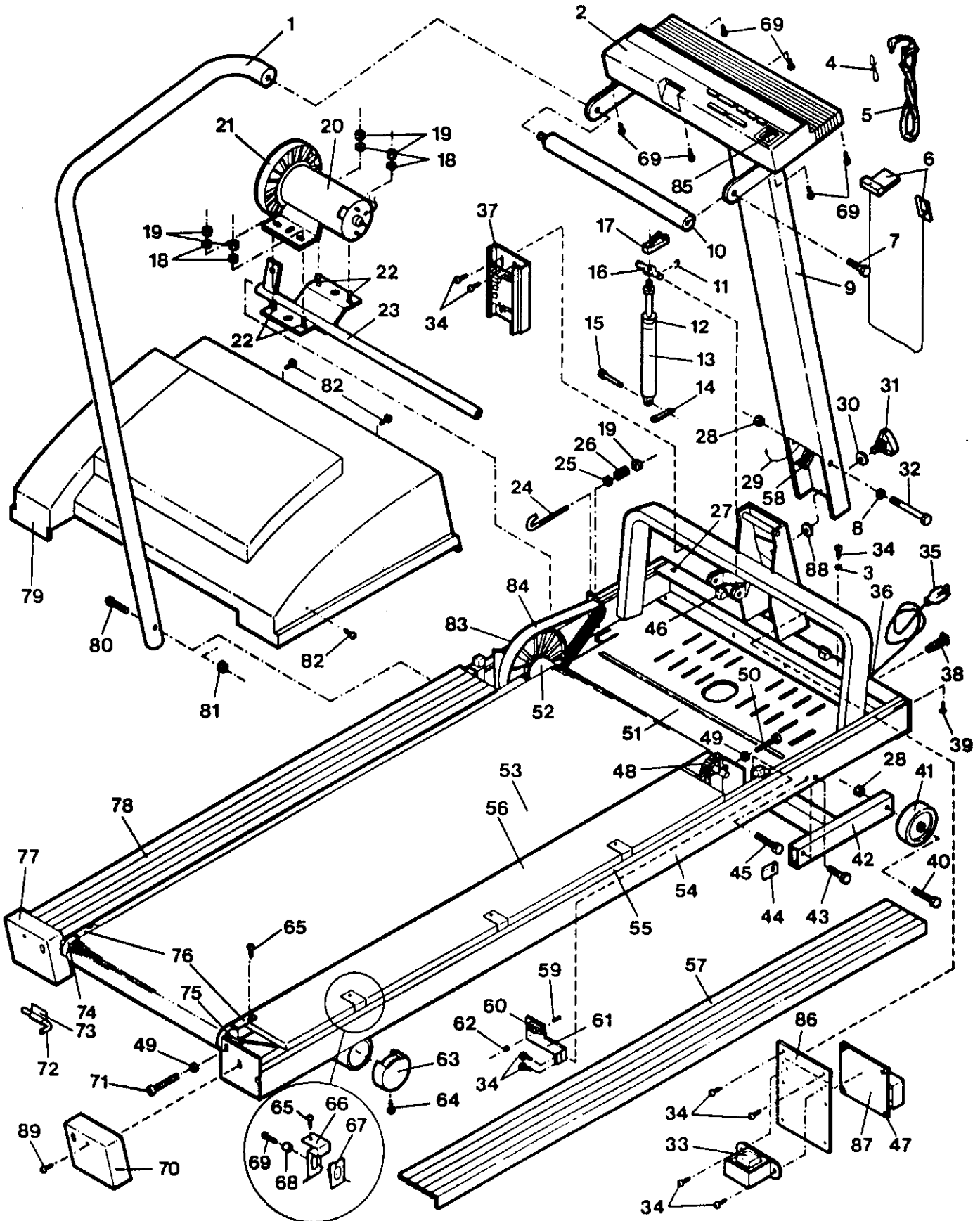


EXPLODED DRAWING- Model No. PF080010

Rev. 11/91

Specifications are subject to change without notice.



MODEL NUMBER: PF08001
VERSION: 00
PRODUCT NAME: PROFORM 8.0 TXP
PRODUCT DESC:

MODEL/PART BOOK LISTING

PAGE 1
INI023P1
RUN DATE: 2/07/97
RUN TIME: 19:45:24

KEY NUMBER	PART NUMBER	DESCRIPTION	QUANTITY
	.	PROFORM 8.0 TXP	0
1	105638	SIDE RAIL	1
2	107713	CONSOLE ASSEMBLY	1
3	014157	STAR WASHER	2
4	054013	CLOTHES CLIP	1
5	119946	PULSE/CLOTHES CLIP ASSY.	1
6	106337	SAFETY KEY/CLIP	1
7	104581	HANDRAIL BOLT	1
8	014087	FLAT WASHER	2
9	106289	UPRIGHT POST	1
10	105713	HANDRAIL	1
11	054016	E-CLIP	1
12	059019	LIFT CUSHION	1
13	043025	LIFT CYLINDER	1
14	106334	COTTER PIN	1
15	101639	CYLINDER PIN	1
16	008149	CYLINDER MOUNT BRACKET	1
17	088004	CYLINDER RELEASE	1
18	101630	MOTOR MOUNT WASHER	4
19	012082	MOTOR MOUNT NUT	5
20	123944	MOTOR ASSEMBLY	1
.	.	124183 MOTOR	1
.	.	116878 HARDWARE KIT	1
.	.	122179 CN-MOTOR CHANGE	1
20A	107387	MTR/PULY/FLY/FAN ASSEMBLY	1
21	100147	PULLEY/FLYWHEEL/FAN	1
22	013445	MOTOR MOUNT BOLT	4
23	105389	MOTOR MOUNT SWIVEL SHAFT	1
24	103855	J-BOLT	1
25	014041	TENSION WASHER	1
26	104514	TENSION SPRING	1
27	016055	WIRE CLIP	4
28	012108	LOCKNUT	3
29	088005	INCLINE CABLE	1
30	014156	LOCK KNOB WASHER	1
31	017088	LOCK KNOB	1
32	104925	PIVOT BOLT	1
33	031238	CHOKE	1
34	013423	SMALL SCREW	11
35	031229	POWER CORD	1
36	019084	GROMMET	1
37	129854	CONTROLLER W/RI	1
38	109382	CIRCUIT BREAKER	1
39	104623	PLASTIC FASTENER	12
40	103045	WHEEL BOLT	2
41	052014	FRONT WHEEL	2
42	NLA	INCLINE LEG	1
43	013293	INCLINE LEG BOLT	2
44	012179	U-NUT	2
45	104624	SHAFT BOLT	2
46	008148	HOOD MOUNT ANCHOR	4
47	125819	PLASTIC CLIP	4
48	107052	SPEED DISK ASSEMBLY	1
.	.	106981 SPEED DISK	1

MODEL NUMBER: PF08001
 VERSION: 00
 PRODUCT NAME: PROFORM 8.0 TXP
 PRODUCT DESC:

MODEL/PART BOOK LISTING

RUN DATE: 2/07/97
 RUN TIME: 19:45:24

KEY NUMBER	PART NUMBER	DESCRIPTION	QUANTITY
.	.	103617 MOUNTING TAPE	1
.	.	109784 CN-INSTALL INST.	1
.	.	NOTE: IF THE SPEED DISK	0
.	.	IS NOT DAMAGED, JUST SEND	0
.	.	THE MOUNTING TAPE AND THE	0
.	.	ASSEMBLY INSTRUCTIONS BY	0
.	.	ORDERING PART #109903.	0
49	014127	ADJUSTMENT WASHER	3
50	106615	FRONT ROLLER ADJ. BOLT	1
51	NLA	SAFETY COVER	1
52	107877	FRONT ROLLER/PULLEY ASSY.	1
53	130475	WALKING BELT ASSEMBLY	1
54	NSP	FRAME	1
55	105782	HIGH DENSITY FOAM	2
56	124584	WALKING PLATFORM ASSEMBLY	1
.	.	124583 WALKING PLATFORM	1
.	.	127860 NAIL	12
.	.	107187 REPLACEMENT INSTR.	1
.	.	NOTE: THIS ASSEMBLY HAS	0
.	.	BEEN CHANGED FROM THE	0
.	.	ORIGINAL WAXED BOARD	0
57	107879	RIGHT FOOT RAIL	1
58	106816	WIRE HARNESS	1
59	102959	SMALL BOLT	1
60	102955	PHOTO INTERRUPTER SWITCH	1
61	105783	SWITCH BRACKET	1
62	012152	SMALL NUT	1
63	040156	REAR LEG ENDCAP	2
64	013162	REAR LEG SCREW	2
65	013141	PLATFORM SCREW	8
66	105261	PLATFORM CLAMP	6
67	105392	PLATFORM CLAMP BUSHING	6
68	105475	SMALL BUSHING	6
69	104626	SCREW	12
70	104732	RIGHT ENDCAP	1
71	105444	REAR ROLLER ADJ. BOLT	2
72	045010	ALLEN WRENCH	1
73	016028	TOOL CLAMP	1
74	105264	REAR ROLLER	1
75	105000	REAR ROLLER SPACER	2
76	010206	ROLLER GUARD	2
77	104731	LEFT ENDCAP	1
78	NLA	LEFT FOOT RAIL	1
79	104236	MOTOR HOOD W/DECAL	1
.	.	104600 MOTOR HOOD	1
.	.	106570 MOTOR HOOD DECAL	1
80	105722	SIDE RAIL BOLT	1
81	105477	SIDE RAIL NUT	1
82	104621	HOOD SCREW	4
83	105257	FRONT ROLLER INSERT	1
84	101004	BELT	1
85	109791	INCLINE LEVER W/CN	1
.	.	088003 INCLINE LEVER	1
.	.	125151 FASTENER	1

MODEL NUMBER: PF08001
VERSION: 00
PRODUCT NAME: PROFORM 8.0 TXP
PRODUCT DESC:

MODEL/PART BOOK LISTING

PAGE 3
INI023P1
RUN DATE: 2/07/97
RUN TIME: 19:45:24

KEY NUMBER	PART NUMBER	DESCRIPTION	QUANTITY
	.	109783 CN-INSTALL INST.	1
86	106550	POWER SUPPLY PLATE	1
87	108094	POWER SUPPLY BOARD	1
88	105388	UPRIGHT SPACER	1
.	.	NON-ILLUSTRATED PARTS:	0
#	107618	FRAME DECAL	2
#	106570	MOTOR HOOD DECAL	1
#	106573	OWNER'S MANUAL	1
	106572	LITERATURE PACKET	1
.	.	106573 OWNER'S MANUAL	1
.	.	112589 PULSE EARCLIP	1
.	.	017088 LOCK KNOB	1
.	.	014156 LOCK KNOB WASHER	1
.	.	105388 UPRIGHT SPACER	1
.	.	105458 HARDWARE KIT	1
.	.	016028 TOOL CLAMP	1
.	.	045010 ALLEN WRENCH	1
.	.	105722 3" SIDERAIL BOLT	1
.	.	105477 SIDERAIL NUT	1