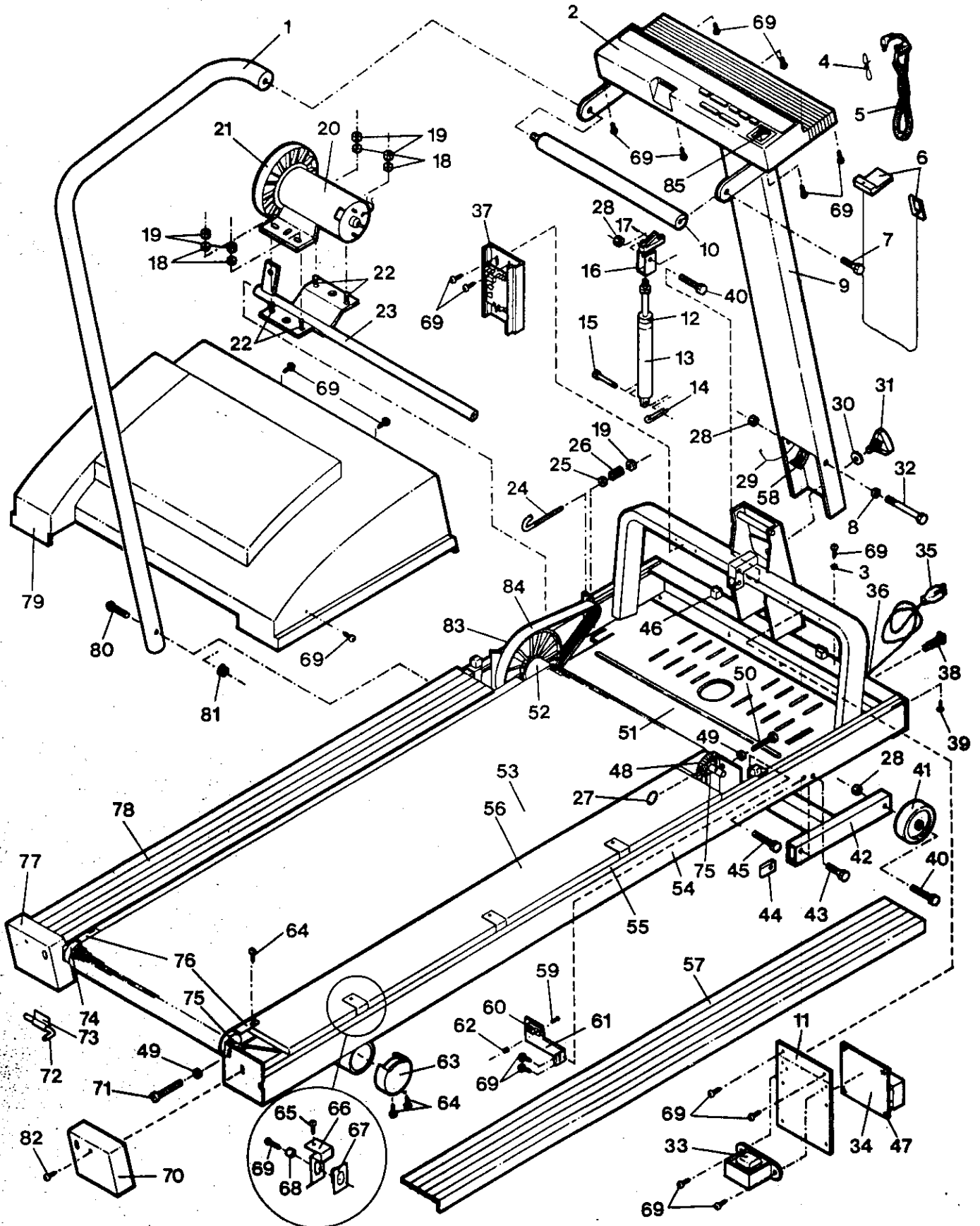


EXPLODED DRAWING—Model No. PF080012

Rev. 9/92



MODEL NUMBER: PF08001
 VERSION: 02
 PRODUCT NAME: PROFORM 8.0 TXP
 PRODUCT DESC:

MODEL/PART BOOK LISTING

RUN DATE: 2/07/97
 RUN TIME: 19:45:35

KEY NUMBER	PART NUMBER	DESCRIPTION	QUANTITY
1	105638	SIDE RAIL	1
2	107713	CONSOLE ASSEMBLY	1
.	.	109812 CONSOLE	1
.	.	107244 CONSOLE DECAL	1
.	.	109781 CN-INSTALL INST.	1
3	014157	STAR WASHER	2
4	054013	CLOTHES CLIP	1
5	119946	PULSE/CLOTHES CLIP ASSY.	1
6	106337	SAFETY KEY/CLIP	1
7	104581	HANDRAIL BOLT	1
8	014087	FLAT WASHER	2
9	106289	UPRIGHT POST	1
10	105713	HANDRAIL	1
11	106550	POWER SUPPLY PLATE	1
12	059019	LIFT CUSHION	1
13	109792	LIFT CYLINDER W/CN	1
.	.	112582 LIFT CYLINDER	1
.	.	109785 CN-INSTALL INST.	1
14	106334	COTTER PIN	1
15	101639	CYLINDER PIN	1
16	109863	CYLINDER MOUNT BRACKET	1
17	088004	CYLINDER RELEASE	1
18	101630	MOTOR MOUNT WASHER	4
19	012082	MOTOR MOUNT NUT	5
20	109787	MOTOR ASSEMBLY	1
.	.	124183 MOTOR	1
.	.	102978 CN-INSTALL INST.	1
.	.	122470 CN-MOTOR CHANGE	1
.	.	116878 HARDWARE KIT	1
20A	109525	MOTOR/PULY/FLY/FAN ASSY.	1
.	.	124183 MOTOR	1
.	.	108276 PULY/FLY/FAN	1
.	.	102978 CN-INSTALL INST.	1
.	.	122470 CN-MOTOR CHANGE	1
.	.	116878 HARDWARE KIT	1
21	108276	PULLEY/FLYWHEEL/FAN ASSY.	1
22	013445	MOTOR MOUNT BOLT	4
23	110222	MOTOR MOUNT SWIVEL W/CN *	1
.	.	105389 MOTOR MOUNT SWIVEL	1
.	.	102978 CN-INSTALL INST.	1
24	103855	J-BOLT	1
25	014041	TENSION WASHER	1
26	104514	TENSION SPRING	1
27	108778	SPEED DISK RETAINER	1
28	012108	LOCKNUT	4
29	088005	INCLINE CABLE	1
30	014156	LOCK KNOB WASHER	1
31	017088	LOCK KNOB	1
32	104925	PIVOT BOLT	1
33	031238	CHOKE	1
34	108094	POWER SUPPLY BOARD W/CN	1
.	.	106333 POWER SUPPLY BOARD	1
.	.	125819 PLASTIC STAND-OFF	4
.	.	102982 CN-INSTALL INST.	1

MODEL NUMBER: PF08001
 VERSION: 02
 PRODUCT NAME: PROFORM 8.0 TXP
 PRODUCT DESC:

MODEL/PART BOOK LISTING

PAGE 2
 INIC 3P1
 RUN DATE: 2/07/97
 RUN TIME: 19:45:35

KEY NUMBER	PART NUMBER	DESCRIPTION	QUANTITY
35	031229	POWER CORD	1
36	019084	GROMMET	1
37	129854	CONTROLLER W/CN	1
38	109382	CIRCUIT BREAKER	1
39	104623	PLASTIC FASTENER	12
40	103045	WHEEL/LIFT CYLINDER BOLT	3
41	052014	FRONT WHEEL	2
42	109846	INCLINE LEG	1
43	013293	INCLINE LEG BOLT	2
44	012179	U-NUT	2
45	104624	SHAFT BOLT	2
46	008148	HOOD ANCHOR	4
47	125819	PLASTIC STAND-OFF	4
48	111444	OPTIC SPEED DISK ASSY. *	1
.	.	110398 OPTIC SPEED DISK	1
.	.	108778 DISK RETAINER	1
.	.	111445 CN-INSTALL INST.	1
49	014127	ADJUSTMENT WASHER	3
50	106615	FRONT ROLLER ADJ. BOLT	1
51	NLA	SAFETY COVER	1
52	111386	FR RLR/SLV/PULY/DISK ASY*	1
53	130475	WALKING BELT ASSEMBLY	1
54	NSP	FRAME	1
55	105782	HIGH DENSITY FOAM	2
56	124584	WALKING PLATFORM ASSEMBLY	1
.	.	124583 WALKING PLATFORM	1
.	.	127860 NAIL	12
.	.	107187 CN-INSTALL INST.	1
.	.	NOTE: THIS ASSEMBLY HAS	0
.	.	BEEN CHANGED FROM THE	0
.	.	ORIGINAL WAXED BOARD	0
57	107879	RIGHT DECK RAIL	1
58	106816	WIRE HARNESS	1
59	109259	SMALL BOLT	1
60	102955	PHOTO INTERRUPTER SWITCH	1
61	109175	SWITCH BRACKET	1
62	012152	SMALL NUT	1
63	040156	REAR LEG ENDCAP	2
64	013162	REAR LEG/GUARD SCREW	6
65	013141	PLATFORM SCREW	6
66	105261	PLATFORM CLAMP	6
67	105392	PLATFORM CLAMP BUSHING	6
68	105475	SMALL BUSHING	6
69	108080	SCREW	28
70	104732	RIGHT ENDCAP	1
71	105444	REAR ROLLER ADJ. BOLT	2
72	045010	ALLEN WRENCH	1
73	016028	TOOL CLAMP	1
74	109788	REAR ROLLER W/CN *	1
.	.	105264 REAR ROLLER	1
.	.	103847 CN-INSTALL INST.	1
75	105000	ROLLER SPACER	3
76	010206	ROLLER GUARD	2
77	104731	LEFT ENDCAP	1

MODEL NUMBER: PF08001
 VERSION: 02
 PRODUCT NAME: PROFORM 8.0 TXP
 PRODUCT DESC:

MODEL/PART BOOK LISTING

PAGE 3
 INI023P1
 RUN DATE: 2/07/97
 RUN TIME: 19:45:35

KEY NUMBER	PART NUMBER	DESCRIPTION	QUANTITY
78	NLA	LEFT DECK RAIL	1
79	104236	MOTOR HOOD W/DECAL	1
.	.	104600 MOTOR HOOD	1
.	.	106570 MOTOR HOOD DECAL	1
80	105722	SIDE RAIL BOLT	1
81	105477	SIDE RAIL NUT	1
82	109250	ENDCAP SCREW	2
83	105257	FRONT ROLLER INSERT	1
84	106939	BELT	1
85	109791	INCLINE LEVER/BEZEL W/CN*	1
.	.	088003 LEVER/BEZEL	1
.	.	125151 FASTENER	1
.	.	109783 CN-INSTALL INST.	1
.	.	NON-ILLUSTRATED PARTS:	0
#	107618	FRAME DECAL	1
#	106570	HOOD DECAL	1
#	110135	OWNER'S MANUAL	1
.	110136	LITERATURE PACKET	1
.	.	110135 OWNER'S MANUAL	1
.	.	112589 PULSE EARCLIP	1
.	.	017088 LOCK KNOB	1
.	.	014156 LOCK KNOB WASHER	1
.	.	105458 HARDWARE KIT	1
.	.	016028 TOOL CLAMP	1
.	.	045010 ALLEN WRENCH	1
.	.	105722 3" SIDERAIL BOLT	1
.	.	105477 SIDERAIL NUT	1
.	.	*--THESE ARE ESTIMATED	0
.	.	COSTS!!!!!!	0