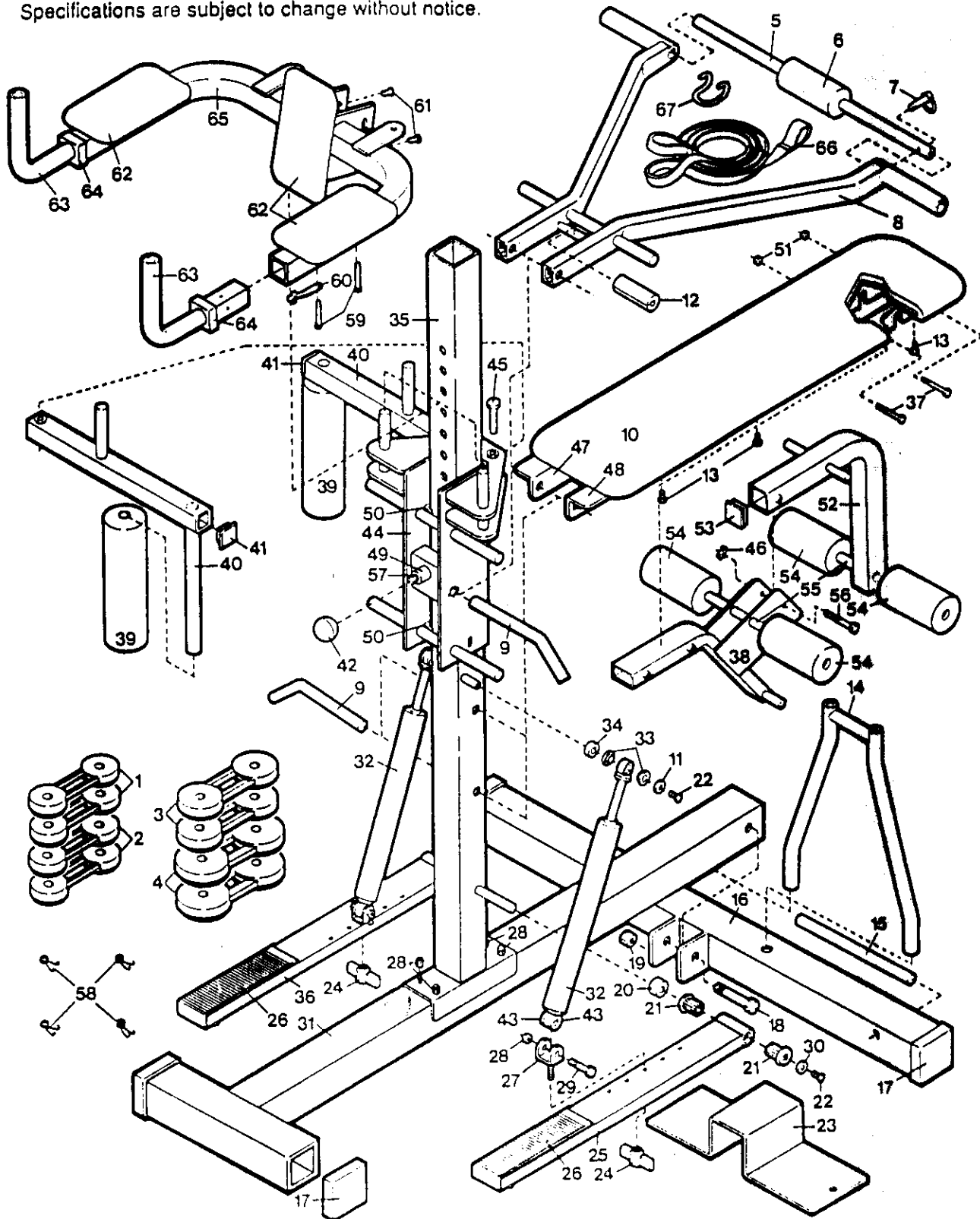


# EXPLODED DRAWING- Model No. PF085010

Rev. 8/91

Specifications are subject to change without notice.



MODEL NUMBER: PF08501  
 VERSION: 00  
 PRODUCT NAME: FLEX PLUS  
 PRODUCT DESC:

MODEL/PART BOOK LISTING

PAGE 1  
 INI023P1  
 RUN DATE: 3/19/97  
 RUN TIME: 12:07:07

KEY NUMBER	PART NUMBER	DESCRIPTION	QUANTITY
1	105736	#5 WEIGHTBAND	2
2	105739	#10 WEIGHTBAND	2
3	105741	#25 WEIGHTBAND	2
4	100096	#50 WEIGHTBAND	2
5	100504	LAT BAR	1
6	103805	LAT BAR FOAM PAD	1
7	100091	PULL PIN	1
8	100227	PRESS ARM	1
9	100061	UPRIGHT PIN	2
10	NLA	BENCH	1
11	014127	UPPER WASHER	2
12	100253	PRESS ARM BUMPER	1
13	103368	PHILLIPS BOLT	6
14	100228	BENCH SUPPORT	1
15	100034	BRACE	1
16	107600	STABILIZER W/DECAL	1
	.	104958 STABILIZER	1
	.	103838 STABILIZER DECAL	1
17	100033	LARGE ENDCAP, 3" X 3"	4
18	013310	STABILIZER BOLT	1
19	012037	STABILIZER NUT	1
20	100105	PEDAL SPACER	2
21	100048	PEDAL BUSHING	4
22	013244	BUTTON HEAD BOLT	4
23	100085	FOOT PLATE BRACKET	1
24	100108	CYLINDER KNOB	2
25	106997	RIGHT PEDAL ASSEMBLY	1
	.	104698 PEDAL	1
	.	106872 PEDAL COVER ASSY.	1
	.	106974 PEDAL DECAL	1
	.	100048 BUSHING	2
26	106872	PEDAL COVER ASSEMBLY	2
	.	111572 PEDAL COVER	1
	.	100873 TAPE, QTY. .00926	0
27	100196	CYLINDER BRACKET	2
28	012108	LOCKNUT	6
29	104063	CYLINDER BOLT	2
30	NLA	LOWER WASHER	2
31	107601	BASE W/DECAL	1
	.	100225 BASE	1
	.	100197 BASE DECAL	1
32	105445	RESISTANCE CYLINDER	2
33	106876	UPPER CYLINDER BSHG SET	2
34	100052	CYLINDER SPACER	2
35	NLA	UPRIGHT W/DECAL	1
36	106998	LEFT PEDAL ASSEMBLY	1
	.	104698 PEDAL	1
	.	106872 PEDAL COVER ASSY.	1
	.	106974 PEDAL DECAL	1
	.	100048 BUSHING	2
37	013553	MOUNT BOLT, 4.00"	2
38	103787	LEG MOUNT	1
39	121962	BUTTERFLY FOAM PAD	2
40	100231	BUTTERFLY ARM	2

MODEL NUMBER: PF08501  
 VERSION: 00  
 PRODUCT NAME: FLEX PLUS  
 PRODUCT DESC:

MODEL/PART BOOK LISTING

RUN DATE: 3/19/97  
 RUN TIME: 12:07:07

KEY NUMBER	PART NUMBER	DESCRIPTION	QUANTITY
41	100056	BUTTERFLY ARM ENDCAP	2
42	100109	LOCK KNOB	1
43	106875	LOWER CYLINDER BSHG SET *	2
44	107603	UPRIGHT SLEEVE ASSEMBLY	1
.	.	100100 SLEEVE	1
.	.	100073 SLEEVE SLIDER	2
.	.	100461 WARNING DECAL	1
.	.	107755 UPPER SLEEVE DECAL	1
.	.	100259 LOWER SLEEVE DECAL	1
45	104836	BUTTERFLY ARM PIN	2
46	103959	WINGNUT	1
47	100233	LEFT BENCH RAIL	1
48	NLA	RIGHT BENCH RAIL	1
49	100077	LOCK PIN ASSEMBLY	1
50	100073	SLEEVE SLIDER BUSHING	2
51	012065	MOUNT NUT	2
52	103789	LEG LEVER	1
53	103833	LEG LEVER ENDCAP	1
54	103805	LEG LEVER FOAM PAD	4
55	103779	FOAM PAD MOUNTING TUBE	1
56	103053	LEG LEVER BOLT	1
57	100076	SPRING	1
58	100092	RETAINER SPRING	4
59	013275	LONG VKR BOLT, 2.25"	4
60	104859	LOCKING SPRING	2
61	103025	SHORT VKR BOLT, .50"	2
62	104860	VKR PAD	3
63	104852	VKR HANDLE	2
64	104858	VKR HANDLE COLLAR	2
65	107604	VKR FRAME W/DECAL	1
.	.	104845 VKR FRAME	1
.	.	106986 VKR FRAME DECAL	1
66	103853	ABDOMINAL STRAP	1
67	103854	ABDOMINAL STRAP HOOK	1
.	.	NON-ILLUSTRATED PARTS:	0
.	.	NOTE: EXTRA WEIGHT BANDS	0
.	.	AND LOCKING BANDS MAY BE	0
.	.	ORDERED FOR THIS UNIT.	0
#	103838	STABILIZER DECAL	1
#	106974	PEDAL DECAL	2
#	100197	BASE DECAL	1
#	107755	UPPER SLEEVE DECAL	1
#	100259	LOWER SLEEVE DECAL	1
#	NLA	UPRIGHT DECAL	1
#	NLA	VKR FRAME DECAL	1
#	100461	SLEEVE WARNING DECAL	1
#	100644	LOCKING BAND	2
.	.	(OPTIONAL - NOT INCLUDED)	0
#	107404	EXERCISE SUPPLEMENT	1
#	104913	OWNERS MANUAL	1
.	104956	LITERATURE PACKET	1
.	.	104913 OWNERS MANUAL	1
.	.	107404 EXERCISE SUPP	1
.	108117	HWKIT, ASSY HARDWARE	1

MODEL NUMBER: PF08501  
 VERSION: 00  
 PRODUCT NAME: FLEX PLUS  
 PRODUCT DESC:

MODEL/PART BOOK LISTING

PAGE 3

IN 023P1  
 RUN DATE: 3/19/97  
 RUN TIME: 12:07:07

KEY NUMBER	PART NUMBER	DESCRIPTION	QUANTITY
		012108 LOCKNUT	4
		013310 STABILIZER BOLT	1
		012037 STABILIZER NUT	1
		100108 CYLINDER KNOB	2
		100061 UPRIGHT PIN	1
		100034 BRACE	1
		100091 PULL PIN	1
		103853 ABDOMINAL STRAP	1
		103854 ABDOM. STRAP HOOK	4
		100092 RETAINER SPRING	1
		100109 LOCK KNOB	1
		104117 HWKIT, LEG MECH.	1
104117		103053 LEG LEVER BOLT	1
		103959 WINGNUT	
		013553 LIFT MOUNT BOLT	
		012065 LIFT MOUNT NUT	2
		103805 LEG LEVER FOAM	2
108083		108083 HWKIT, VKR ASSY.	4
		104859 LOCKING SPRING	1
		103025 VKR BOLT, .50"	2
		013275 VKR BOLT, 2.25"	2
		NOTE: HARDWARE KITS ARE SEPARATE FROM LIT PACKET	
		*--THIS IS AN ESTIMATED COST!!!!	

#  
 #

2  
 2  
 4  
 1  
 2  
 2  
 4  
 0  
 0  
 0  
 0

MODEL NUMBER: PF08501  
 VERSION: 00  
 PRODUCT NAME: FLEX PLUS  
 PRODUCT DESC:

MODEL/PART BOOK LISTING

PAGE 3  
 INFO23P1

RUN DATE: 3/19/97  
 RUN TIME: 12:07:07

KEY NUMBER	PART NUMBER	DESCRIPTION	QUANTITY
.		012108 LOCKNUT	4
.		013310 STABILIZER BOLT	1
.		012037 STABILIZER NUT	1
.		100108 CYLINDER KNOB	2
.		100061 UPRIGHT PIN	2
.		100034 BRACE	1
.		100091 PULL PIN	1
.		103853 ABDOMINAL STRAP	1
.		103854 ABDOM. STRAP HOOK	1
.		100092 RETAINER SPRING	4
.		100109 LOCK KNOB	1
104117		104117 HWKIT, LEG MECH.	1
.		103053 LEG LEVER BOLT	1
.		103959 WINGNUT	1
.		013553 LIFT MOUNT BOLT	2
.		012065 LIFT MOUNT NUT	2
.		103805 LEG LEVER FOAM	4
108083		108083 HWKIT, VKR ASSY.	1
.		104859 LOCKING SPRING	2
.		103025 VKR BOLT, .50"	2
.		013275 VKR BOLT, 2.25"	4
.		NOTE: HARDWARE KITS ARE	0
.		SEPARATE FROM LIT PACKET	0
#		*--THIS IS AN ESTIMATED	0
#		COST!!!!	0