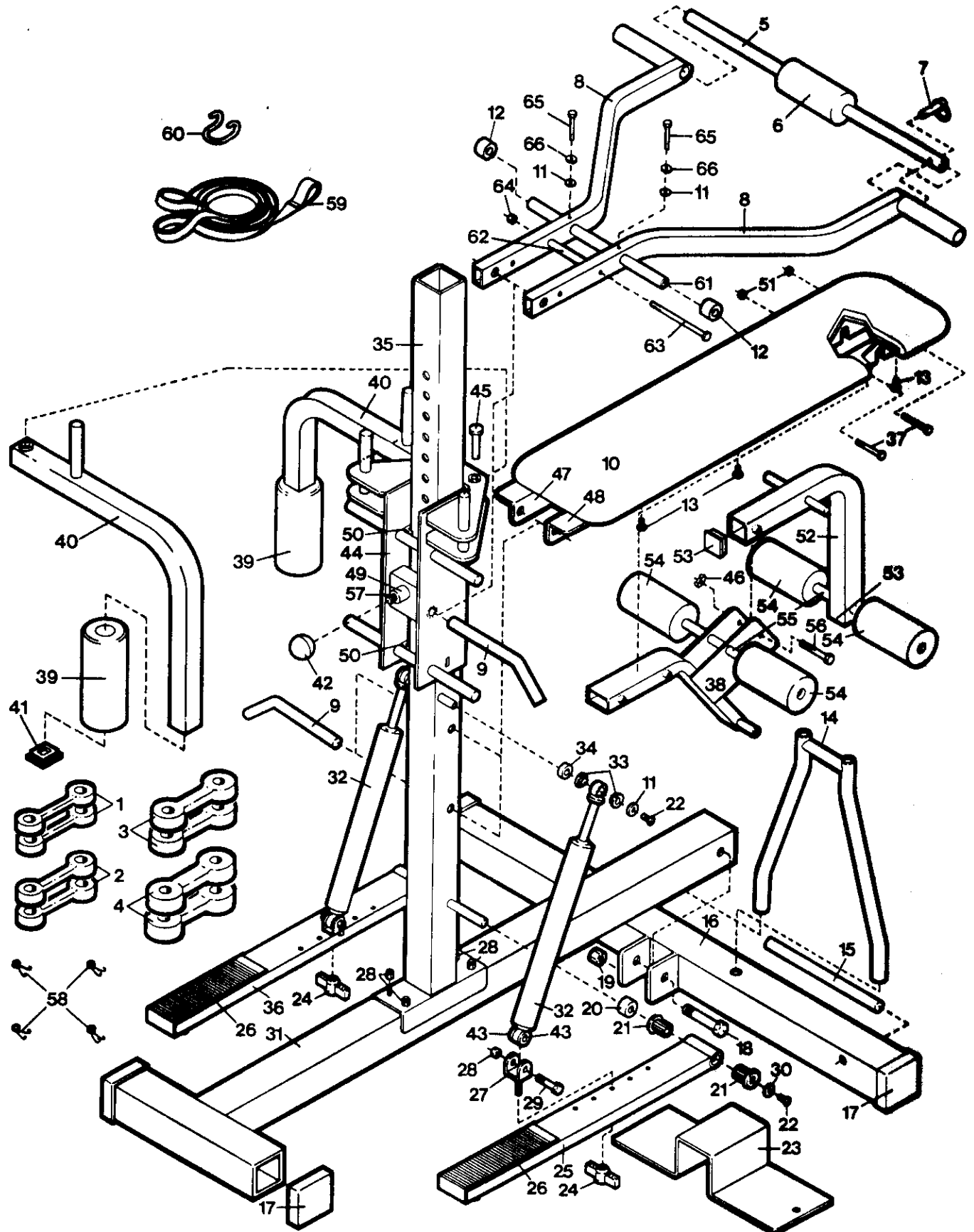


# EXPLODED DRAWING—Model No. PF085020

Rev. 092



MODEL NUMBER: PF08502  
 VERSION: 00  
 PRODUCT NAME: CROSS FLEX  
 PRODUCT DESC:

MODEL/PART BOOK LISTING

0101023D1

RUN DATE: 8/25/93  
 RUN TIME: 14:23:12

KEY NUMBER	PART NUMBER	DESCRIPTION	QUANTITY
1	105736	#5 WEIGHTBAND	2
2	105739	#10 WEIGHTBAND	2
3	105741	#25 WEIGHTBAND	2
4	105885	#50 WEIGHTBAND	2
5	100504	LAT BAR	1
6	103805	LAT BAR FOAM PAD	1
7	100091	PULL PIN	1
8	106056	PRESS ARM (MAIN ARM)	2
9	100061	UPRIGHT PIN	2
10	100112	BENCH	1
11	014041	WASHER	4
12	105972	WEIGHTBAND SPACER	2
13	103368	PHILLIPS BOLT	6
14	100228	BENCH SUPPORT	1
15	100034	BRACE	1
16	107600	STABILIZER W/DECAL	1
.	.	104958 STABILIZER	1
.	.	103838 STABILIZER DECAL	1
17	100033	LARGE ENDCAP, 3" X 3"	4
18	013310	STABILIZER BOLT	1
19	012037	STABILIZER NUT	1
20	100105	PEDAL SPACER	2
21	100048	PEDAL BUSHING	4
22	013244	BUTTONHEAD BOLT	4
23	100085	FOOT PLATE BRACKET	1
24	100108	CYLINDER KNOB	2
25	106997	RIGHT PEDAL ASSEMBLY	1
.	.	104698 PEDAL	1
.	.	106872 PEDAL COVER ASSY.	1
.	.	106974 PEDAL DECAL	1
.	.	100048 BUSHING	2
26	106872	PEDAL COVER ASSEMBLY	2
.	.	111572 PEDAL COVER	1
.	.	100873 TAPE, QTY. .00926	0
27	100196	CYLINDER BRACKET	2
28	012108	LOCKNUT	6
29	104063	CYLINDER BOLT	2
30	104062	LOWER WASHER	2
31	107601	BASE W/DECAL	1
.	.	100225 BASE	1
.	.	100197 BASE DECAL	1
32	105445	RESISTANCE CYLINDER	2
33	106876	UPPER CYLINDER BSHG. SET	2
34	100052	CYLINDER SPACER	2
35	107602	UPRIGHT W/DECAL	1
.	.	104951 UPRIGHT	1
.	.	100260 UPRIGHT DECAL	1
36	106998	LEFT PEDAL ASSEMBLY	1
.	.	104698 PEDAL	1
.	.	106872 PEDAL COVER ASSY.	1
.	.	106974 PEDAL DECAL	1
.	.	100048 PEDAL BUSHING	2
37	013553	BENCH MOUNT BOLT, 4.00"	2
38	103787	LEG MOUNT	1

MODEL NUMBER: PF08502  
 VERSION: 00  
 PRODUCT NAME: PROFORM CROSS FLEX  
 PRODUCT DESC:

MODEL/PART BOOK LISTING

RUN DATE: 1/11/93  
 RUN TIME: 9:54:10

KEY NUMBER	PART NUMBER	DESCRIPTION	QUANTITY
39	104705	BUTTERFLY FOAM PAD	2
40	104700	BUTTERFLY ARM	2
41	100056	BUTTERFLY ARM ENDCAP	2
42	100109	LOCK KNOB	1
43	106875	LOWER CYLINDER BSHG. SET	2
44	107603	UPRIGHT SLEEVE ASSEMBLY	1
.	.	100100 SLEEVE	1
.	.	100073 SLEEVE SLIDER	2
.	.	100461 WARNING DECAL	1
.	.	100102 UPPER SLEEVE DECAL	1
.	.	100259 LOWER SLEEVE DECAL	1
45	104836	BUTTERFLY ARM PIN	2
46	103959	LEG MOUNT NUT	1
47	100233	LEFT BENCH RAIL	1
48	100232	RIGHT BENCH RAIL	1
49	100077	LOCK PIN ASSEMBLY	1
50	100073	SLEEVE SLIDER BUSHING	2
51	012065	BENCH MOUNT NUT	2
52	103789	LEG LEVER	1
53	103833	LEG LEVER ENDCAP	2
54	103805	LEG LEVER FOAM PAD	4
55	103779	FOAM PAD MOUNTING TUBE	2
56	103053	LEG LEVER BOLT	1
57	100076	SPRING	1
58	100092	SPRING RETAINER	4
59	103853	ABDOMINAL STRAP	1
60	103854	ABDOMINAL STRAP HOOK	1
61	107304	ARM ROD	1
62	106123	ARM BRACE	1
63	106146	ARM BRACE BOLT	1
64	105133	ARM BRACE NUT	1
65	107341	ARM ROD BOLT	2
66	014126	ARM ROD LOCKWASHER	2
.	.	NON-ILLUSTRATED PARTS:	0
#	103838	STABILIZER DECAL	1
#	106974	PEDAL DECAL	2
#	100197	BASE DECAL	1
#	100102	UPPER SLEEVE DECAL	1
#	100259	LOWER SLEEVE DECAL	1
#	100260	UPRIGHT DECAL	1
#	100461	SLEEVE WARNING DECAL	1
#	100644	LOCKING BAND	2
.	.	(OPTIONAL: NOT INCLUDED)	0
#	104118	WORKOUT MANUAL	1
#	107404	EXERCISE MANUAL	1
#	110510	CONSUMER NOTICE-EX MANUAL	1
#	108821	OWNERS MANUAL	1
.	108820	LITERATURE PACKET	1
.	.	108821 OWNERS MANUAL	1
.	.	107404 EXERCISE MANUAL	1
.	.	104118 WORKOUT MANUAL	1
.	.	110510 CN-EXERCISE MANUAL	1
104957	.	HWKIT, ASSEMBLY HARDWARE	1
.	.	012108 LOCKNUT	4

MODEL NUMBER: PF08502  
VERSION: 00  
PRODUCT NAME: PROFORM CROSS FLEX  
PRODUCT DESC:

MODEL/PART BOOK LISTING

INI023P1  
RUN DATE: 1/11/93  
RUN TIME: 9:54:10

KEY NUMBER	PART NUMBER	DESCRIPTION	QUANTITY
.		013310 STABILIZER BOLT	1
.		012037 STABILIZER NUT	1
.		100108 BRACKET KNOB	2
.		100061 UPRIGHT PIN	2
.		100034 BRACE	1
.		105972 WEIGHTBAND SPACER	2
.		100091 PULL PIN	1
.		103853 ABDOMINAL STRAP	1
.		103854 ABDOM STRAP HOOK	1
.		100092 SPRING RETAINER	4
.		100109 LOCK KNOB	1
.		104117 HWKIT, LEG MECH	1
.		103053 LEG LEVER BOLT	1
.		103959 LEG MOUNT NUT	1
.		013553 BENCH MTG BOLT	2
.		012065 BENCH MTG NUT	2
.		103805 LEG LEVER FOAM	4