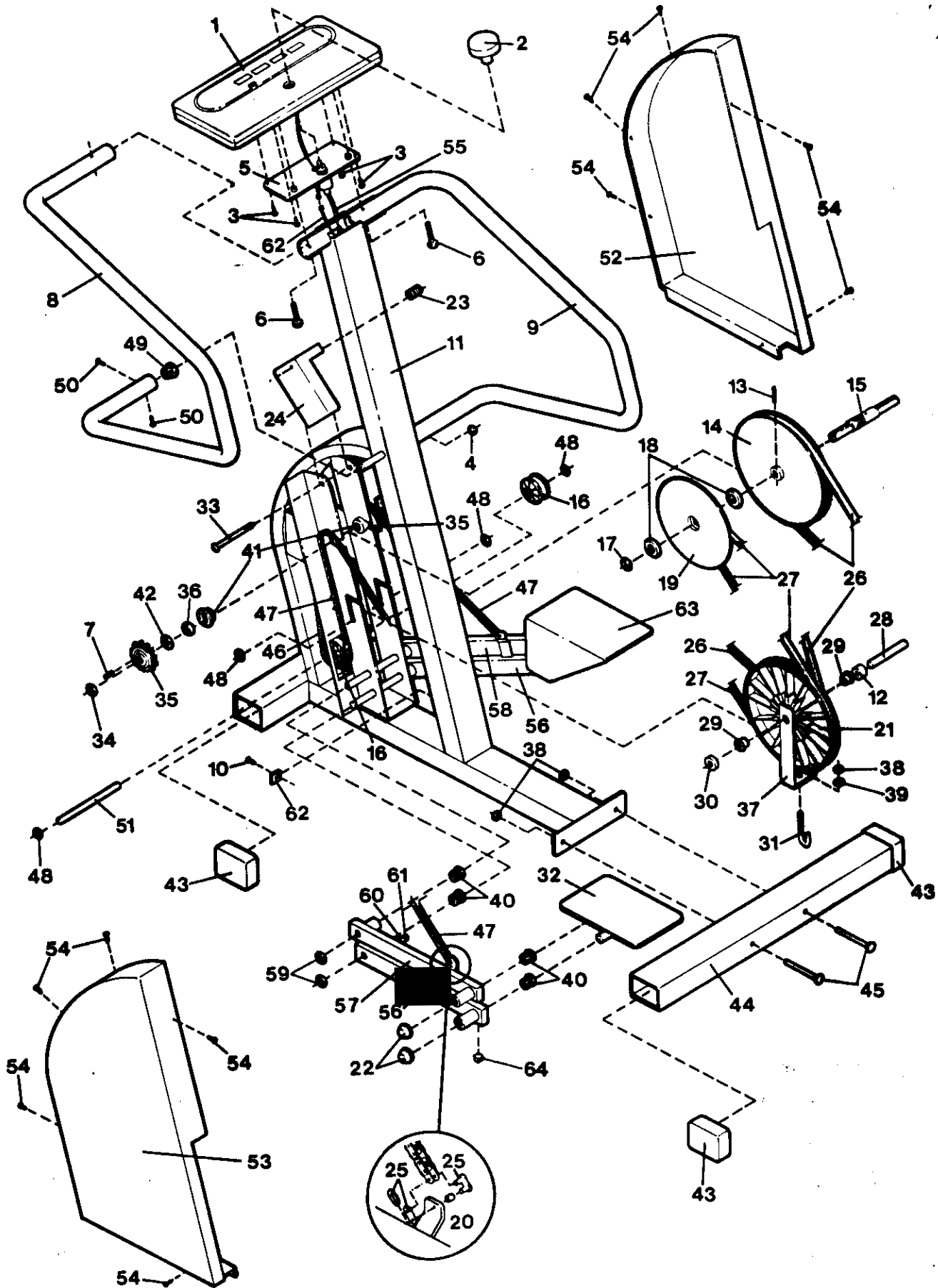


EXPLODED DRAWING—Model No. PF086030

Rev. 11/93



MODEL NUMBER: PF08603
VERSION: 00
PRODUCT NAME: PROFORM 860
PRODUCT DESC:

MODEL/PART BOOK LISTING

PAGE 1
INI023P1
RUN DATE: 3/28/94
RUN TIME: 11:00:08

KEY NUMBER	PART NUMBER	DESCRIPTION	QUANTITY
1	113385	CONSOLE	1
2	113387	TENSION KNOB	1
3	013423	CONSOLE PLATE SCREW	4
4	012108	ADJUSTMENT NUT	1
5	115141	CONSOLE PLATE	1
6	013544	CONSOLE BOLT	2
7	113391	KEY	2
8	114550	LEFT SIDERAIL W/BUSHING	1
.	.	113352 LEFT SIDERAIL	1
.	.	113382 BUSHING	1
9	114551	RIGHT SIDERAIL W/BUSHING	1
.	.	113353 RIGHT SIDERAIL	1
.	.	113382 BUSHING	1
10	013300	REED SWITCH SCREW	1
11	NSP	FRAME	0
12	112627	LARGE SPACER	1
13	109701	ROLL PIN	1
14	109555	DRIVE PULLEY	1
15	109548	DRIVE SHAFT	1
16	103341	SPRING RETURN PULLEY	2
17	113451	THIN WASHER	1
18	018030	BEARING	2
19	115142	RESISTANCE DISK ASSEMBLY	1
.	.	109555 DRIVE PULLEY	1
.	.	109548 DRIVE AXLE	1
.	.	109556 RESISTANCE DISK	1
.	.	109701 ROLL PIN	1
.	.	018030 BEARING	1
20	102353	MASTER LINK BUSHING	4
21	109557	TENSION PULLEY	1
22	103903	AXLE CAP	4
23	109571	LARGE TENSION SPRING	1
24	113389	TENSION BRACKET	1
25	101575	MASTER LINK ASSEMBLY	4
26	109560	DRIVE BELT	1
27	109559	TENSION BELT	1
28	109565	PULLEY AXLE	1
29	111007	SMALL BUSHING	2
30	112628	PULLEY AXLE SPACER	1
31	111011	J-BOLT	1
32	117984	LEFT/RIGHT PEDAL ASSEMBLY	1
33	104925	ADJUSTMENT BOLT	1
34	109551	LARGE PUSHNUT	2
35	106153	SPROCKET ASSEMBLY	2
36	113390	TABBED HUB	2
37	109563	PULLEY BRACKET	1
38	012082	NUT	1
39	019183	PEDAL BUMPER	2
40	113348	PEDAL BUSHING	4
41	109553	TABBED BUSHING	2
42	110655	NYLON SPACER	2
43	105317	ENDCAP	4
44	113350	STABILIZER	1
45	109692	CARRIAGE BOLT	2

MODEL NUMBER: PF08603
 VERSION: 00
 PRODUCT NAME: PROFORM 860
 PRODUCT DESC:

MODEL/PART BOOK LISTING

PAGE 2
 INI023P1
 RUN DATE: 3/28/94
 RUN TIME: 11:00:08

KEY NUMBER	PART NUMBER	DESCRIPTION	QUANTITY
46	104475	PEDAL SPRING	2
47	113398	PEDAL CHAIN	2
48	105496	SMALL PUSHNUT	4
49	113382	SIDERAIL BUSHING	2
50	113438	SIDERAIL SCREW	4
51	113392	PULLEY AXLE	1
52	115224	RIGHT SIDESHIELD W/DECAL	1
	.	113394 RIGHT SIDESHIELD	1
	.	113416 SIDESHIELD DECAL	1
53	115225	LEFT SIDESHIELD W/DECAL	1
	.	113393 LEFT SIDESHIELD	1
	.	113416 SIDESHIELD DECAL	1
54	013162	SIDESHIELD SCREW	10
55	113386	TENSION CABLE	1
56	114556	LOWER PEDAL ARM ASSEMBLY	2
	.	113331 LOWER PEDAL ARM	1
	.	113348 BUSHING	1
	.	103903 AXLECAP	1
	.	112488 PUSH NUT	1
	.	111374 REPLACEMENT INSTR.	1
	.	113347 BUSHING	1
57	114554	LEFT UPPER PEDAL ARM ASSY	1
	.	113581 LT UPPER PEDAL ARM	1
	.	113348 BUSHING	1
	.	113347 BUSHING	1
	.	103903 AXLECAP	1
	.	112488 PUSHNUT	1
	.	111374 REPLACEMENT INSTR.	1
58	114555	RIGHT UPPER PEDAL ARM ASY	1
	.	113339 RT UPPER PEDAL ARM	1
	.	113348 BUSHING	1
	.	113347 BUSHING	1
	.	103903 AXLECAP	1
	.	112488 PUSHNUT	1
	.	111374 REPLACEMENT INSTR.	1
59	112488	LARGE PUSHNUT, 5/8"	4
60	113349	MAGNET	1
61	113347	1/2" PEDAL BUSHING	4
62	106115	REED SWITCH/SENSOR WIRE	1
63	.	SEE KEY #32	1
.	.	NON-ILLUSTRATED PARTS:	0
A	016055	WIRE TIE	2
B	045017	ALLEN WRENCH	1
C	033021	BATTERY	2
D	117455	BATTERY COVER	1
E	113416	SIDESHIELD DECAL	2
F	113395	OWNERS MANUAL	1
	113396	LITERATURE PACKET	1
	.	113395 OWNER'S MANUAL	1
	.	113387 TENSION KNOB	1
	.	105317 ENDCAP	4
	.	019183 PEDAL BUMPON	1
	.	112588 CN-PEDAL BUMPON	1
	113440	HARDWARE KIT	1

MODEL NUMBER: PF08603
VERSION: 00
PRODUCT NAME: PROFORM 860
PRODUCT DESC:

MODEL/PART BOOK LISTING

PAGE 3

INI023P1

RUN DATE: 3/28/94

RUN TIME: 11:00:08

KEY NUMBER	PART NUMBER	DESCRIPTION	QUANTITY
.		013544 CONSOLE BOLT	2
.		109692 CARRIAGE BOLT	2
.		012159 STABILIZER NUT	2
.		013423 CONSOLE PLATE BOLT	4
.		045017 ALLEN WRENCH	1