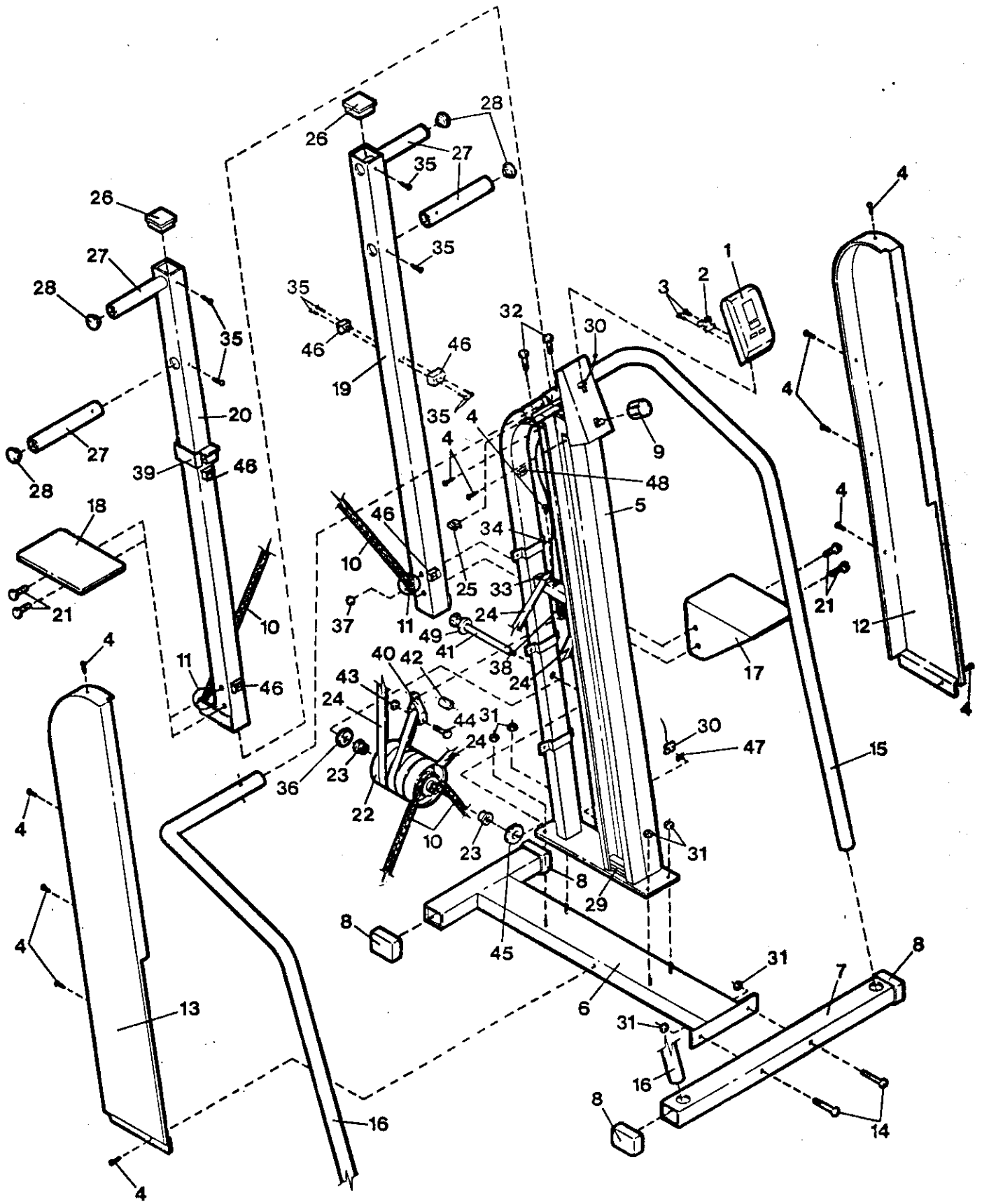


EXPLODED DRAWING—Model No. PF089030

Rev. 9/93



MODEL NUMBER: PF08903
VERSION: 00
PRODUCT NAME: PROFORM EVEREST CLIMBER
PRODUCT DESC:

MODEL/PART BOOK LISTING

PAGE 1
UNIO23P1
RUN DATE: 10/18/94
RUN TIME: 13:40:44

KEY NUMBER	PART NUMBER	DESCRIPTION	QUANTITY
1	114195	CONSOLE	1
2	113502	CONSOLE BRACKET	1
3	115143	CONSOLE SCREW	2
4	013162	#8 X 1/2" SCREW	16
5	NSP	FRAME	1
6	113889	BASE *	1
7	113972	STABILIZER *	1
8	105723	ENDCAP	4
9	100235	RESISTANCE KNOB	1
10	113915	CHAIN	1
11	110867	MASTER LINK ASSEMBLY	2
12	116169	RIGHT SIDE SHIELD ASSY. *	1
	.	113931 RIGHT SIDE SHIELD	1
	.	113935 SIDE SHIELD DECAL	1
	.	115449 FASTENER (VELCRO)	1
13	116168	LEFT SIDE SHIELD ASSY. *	1
	.	113930 LEFT SIDE SHIELD	1
	.	113935 SIDE SHIELD DECAL	1
	.	115449 FASTENER (VELCRO)	1
14	108674	3/8" X 2.5" CARRIAGE BOLT	2
15	113933	RIGHT SIDERAIL *	1
16	113934	LEFT SIDERAIL *	1
17	114528	RIGHT PEDAL *	1
18	114526	LEFT PEDAL *	1
19	122784	RIGHT SLIDE	1
20	122783	LEFT SLIDE	1
21	013208	1/2" X 2" BOLT	4
22	116141	RESISTANCE MECH. W/BSHG	1
	.	113925 RESIST. MECHANISM	1
	.	110576 BRONZE BUSHING	2
23	110576	BRONZE BUSHING	2
24	113923	RESISTANCE STRAP	1
25	012179	O-NUT	2
26	114242	SLIDE ENDCAP	2
27	113932	HANDLE *	4
28	115485	HANDLE ENDCAP	4
29	019344	SLIDE BUMPER	6
30	106115	REED SWITCH/SENSOR WIRE	1
31	012108	3/8" NYLOCK NUT	6
32	102073	5/16" X 1.75" BOLT	2
33	050001	TENSION BUCKLE	1
34	016029	CABLE TIE	1
35	115530	#6 X 1" SCREW	20
36	014168	NYLON WASHER	1
37	107094	SENSOR MAGNET	1
38	108881	TENSION CABLE ASSEMBLY	1
39	113903	SLIDE SLEEVE	2
40	113929	TENSION STRAP BRACKET	2
41	113916	RESISTANCE MECHANISM BOLT	1
42	113951	SPACER	1
43	012082	5/16" BRACKET NUT	1
44	013210	5/16" X 1.5" BRACKET BOLT	1
45	014156	3/8" METAL WASHER	1
46	113908	SLIDE SPACER *	8

MODEL NUMBER: PF08903

MODEL/PART BOOK LISTING

PAGE 2

VERSION: 00

INI023P

PRODUCT NAME: PROFORM EVEREST CLIMBER

RUN DATE: 10/18/94

PRODUCT DESC:

RUN TIME: 13:40:44

KEY NUMBER	PART NUMBER	DESCRIPTION	QUANTITY
47	115449	FASTENER *	3
48	016055	WIRE CLIP	3
49	014079	1/2" WASHER	1
.	.	NON-ILLUSTRATED PARTS:	0
A	113935	SIDESHIELD DECAL	2
	113140	"MADE IN USA" DECAL	1
B	107622	"DO NOT TURN BOLT" DECAL	1
C	033021	BATTERY (AA)	2
D	106167	BATTERY COVER	1
E	113887	OWNER'S MANUAL	1
	113886	LITERATURE PACKET	1
	.	113887 OWNER'S MANUAL	1
	.	115499 CN-ASSY UPDATE	1
	113888	HARDWARE KIT	1
	.	102073 1.75" SCREW	2
	.	012179 U-NUT	2
	.	108674 2.5" CARR. BOLT	2
	.	012108 3/8" NYLOCK NUT	6
	.	013510 3/4" SCREW	4
	.	116121 HANDLE ENDCAP	4
	.	015208 2" SCREW	4
	.	114242 SLIDE ENDCAP	2
.	.	*--THESE ARE ESTIMATED	0
.	.	COSTS!!!!	0