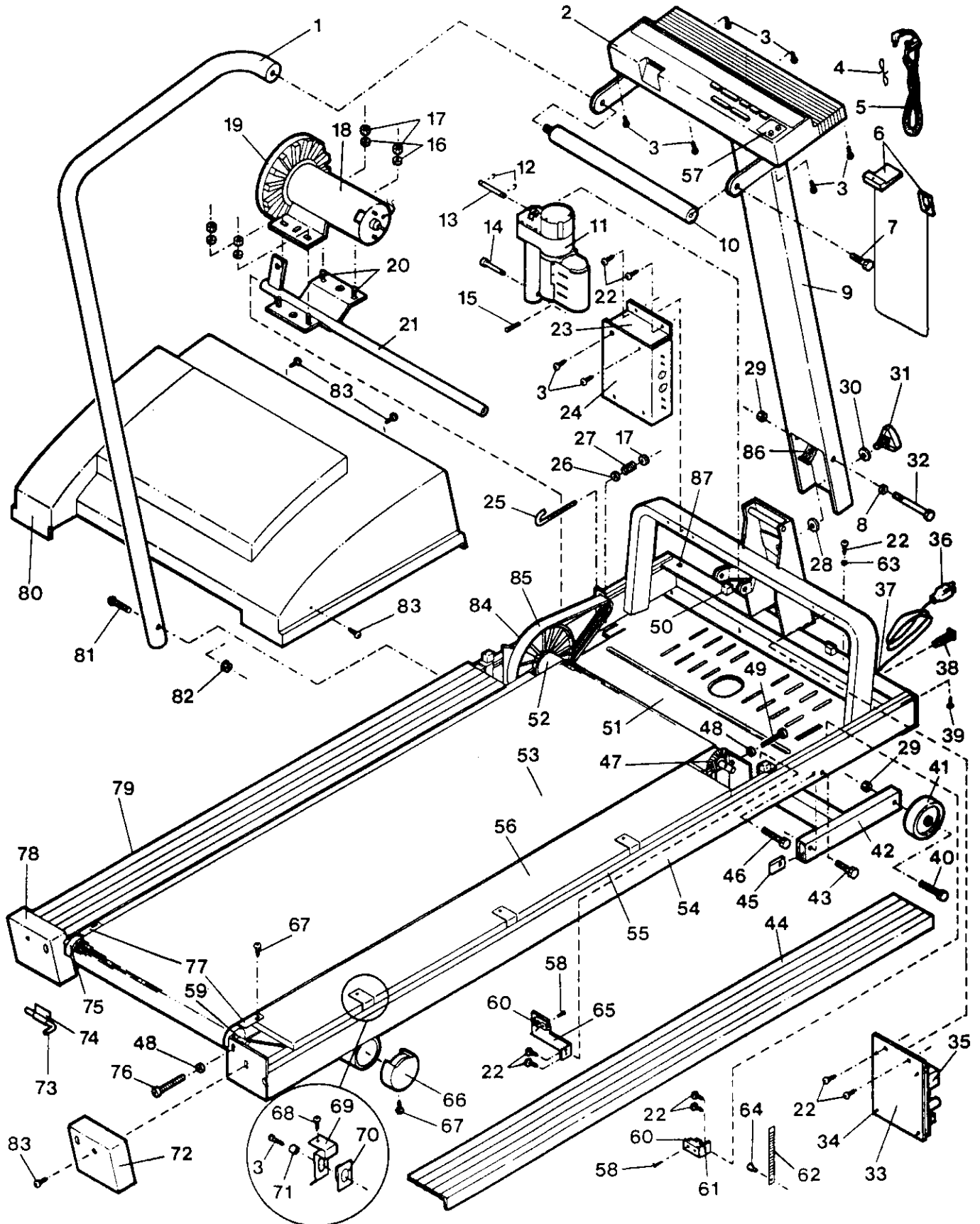


EXPLODED DRAWING- Model No. PF100010

Rev. 1/92

Specifications are subject to change without notice.



MODEL NUMBER: PF10001
 VERSION: 00
 PRODUCT NAME: PROFORM 10.0 TXP
 PRODUCT DESC:

MODEL/PART BOOK LISTING

PAGE 1
 INI023P1
 RUN DATE: 9/18/96
 RUN TIME: 13:59:58

KEY NUMBER	PART NUMBER	DESCRIPTION	QUANTITY
	.	PROFORM 10.0 TXP	0
1	105638	SIDE RAIL	1
2	107714	CONSOLE ASSEMBLY	1
3	104626	SCREW	14
4	054013	CLOTHES CLIP	1
5	119946	PULSE/CLOTHES CLIP ASSY.	1
6	106337	SAFETY KEY/CLIP	1
7	104581	HANDRAIL BOLT	1
8	014087	FLAT WASHER	2
9	106289	UPRIGHT POST	1
10	105713	HANDRAIL	1
11	030016	INCLINE MOTOR	1
12	054016	E-CLIP	2
13	015047	UPPER INCLINE PIN	1
14	100896	LOWER INCLINE PIN	1
15	106334	COTTER PIN	1
16	101630	MOTOR MOUNT WASHER	4
17	012082	MOTOR MOUNT NUT	5
18	123971	MOTOR	1
18A	123975	MTR/PULY/FLY/FAN	1
19	106114	PULLEY/FLYWHEEL/FAN	1
20	013445	MOTOR MOUNT BOLT	4
21	105957	MOTOR MOUNT SWIVEL SHAFT	1
22	013423	PLATE SCREW	11
23	105792	CONTROLLER BRACKET	1
24	031173	CONTROLLER	1
25	103855	J-BOLT	1
26	014041	TENSION WASHER	1
27	104514	TENSION SPRING	1
28	105388	UPRIGHT SPACER	1
29	012108	LOCKNUT	3
30	014156	LOCK KNOB WASHER	1
31	017088	LOCK KNOB	1
32	104925	PIVOT BOLT	1
33	106550	POWER SUPPLY PLATE	1
34	015071	PLASTIC STAND-OFF	4
35	108062	CIRCUIT BOARD ASSEMBLY	1
	.	118053 CIRCUIT BOARD	1
	.	015071 PLASTIC STNAD-OFF	4
	.	110459 CN-INSTALL ISNT.	1
#	110463	POWER BOARD FUSE	1
36	031229	POWER CORD	1
37	019084	GROMMET	1
38	109382	CIRCUIT BREAKER	1
39	104623	PLASTIC FASTENER	12
40	103045	WHEEL BOLT	2
41	052014	FRONT WHEEL	2
42	NLA	INCLINE LEG	1
43	013293	INCLINE LEG BOLT	2
44	107410	RIGHT FOOT RAIL	1
45	012179	U-NUT	2
46	104624	SHAFT BOLT	2
47	107052	SPEED DISK ASSEMBLY	1
	.	106981 SPEED DISK	1

MODEL NUMBER: PF10001
 VERSION: 00
 PRODUCT NAME: PROFORM 10.0 TXP
 PRODUCT DESC:

MODEL/PART BOOK LISTING

INI023P1

RUN DATE: 9/18/96

RUN TIME: 13:58:58

KEY NUMBER	PART NUMBER	DESCRIPTION	QUANTITY
.	.	103617 MOUNTING TAPE	1
.	.	109784 CN-INSTALL INST.	1
.	.	NOTE: IF THE SPEED DISK	0
.	.	IS NOT DAMAGED, JUST SEND	0
.	.	THE MOUNTING TAPE AND THE	0
.	.	ASSEMBLY INSTRUCTIONS BY	0
.	.	ORDERING PART #109903.	0
48	014127	ADJUSTMENT WASHER	3
49	106615	FRONT ROLLER ADJ. BOLT	1
50	008148	HOOD ANCHOR	4
51	NLA	SAFETY COVER	1
52	108060	FR RLR/SLV/PULY/DISK ASY.	1
.	.	105907 FR RLR/SLV/PULY	1
.	.	110451 CN-INSTALL INST.	1
.	.	107052 SPEED DISK ASSY.	1
53	130471	WALKING BELT ASSEMBLY	1
54	N8P	FRAME	1
55	105956	HIGH DENSITY FOAM	2
56	124586	WALKING PLATFORM ASSEMBLY	1
.	.	124585 WALKING PLATFORM	1
.	.	127860 NAIL	12
.	.	107187 REPLACEMENT INSTR.	1
.	.	NOTE: THIS ASSEMBLY HAS	0
.	.	BEEN CHANGED FROM THE	0
.	.	ORIGINAL WAXED BOARD	0
57	106695	INCLINE SWITCH INSERT	1
58	013088	SMALL SCREW	2
59	105000	ROLLER SPACER	2
60	102955	PHOTO INTERRUPTER SWITCH	2
61	105784	INCLINE SWITCH BRACKET	1
62	102900	INCLINE LADDER	1
63	014157	GROUND WASHER	1
64	015072	LADDER PIN	1
65	105783	SPEED SWITCH BRACKET	1
66	040156	REAR LEG ENDCAP	2
67	013162	REAR LEG SCREW	4
68	013141	PLATFORM SCREW	6
69	105261	PLATFORM CLAMP	6
70	105392	PLATFORM CLAMP BUSHING	6
71	105475	SMALL BUSHING	6
72	104732	RIGHT ENDCAP	1
73	045010	ALLEN WRENCH	1
74	016028	TOOL CLAMP	1
75	105894	REAR ROLLER	1
76	105444	REAR ROLLER ADJ. BOLT	2
77	010206	ROLLER GUARD	2
78	104731	LEFT ENDCAP	1
79	107409	LEFT FOOT RAIL	1
80	108064	MOTOR HOOD W/DECAL	1
.	.	104600 MOTOR HOOD	1
.	.	106571 MOTOR HOOD DECAL	1
81	105722	SIDE RAIL BOLT	1
82	105477	SIDE RAIL NUT	1
83	104621	MOTOR HOOD SCREW	6

MODEL NUMBER: PF10001
 VERSION: 00
 PRODUCT NAME: PROFORM 10.0 TXP
 PRODUCT DESC:

MODEL/PART BOOK LISTING

PAGE 3
 INI023F1

RUN DATE: 9/18/96
 RUN TIME: 13:59:58

KEY NUMBER	PART NUMBER	DESCRIPTION	QUANTITY
84	105257	FRONT ROLLER INSERT	1
85	106939	BELT	1
86	106816	WIRE HARNESS	1
87	016055	WIRE CLIP	1
.	.	NON-ILLUSTRATED PARTS:	0
#	107618	FRAME DECAL	2
#	NLA	MOTOR HOOD DECAL	1
#	106575	OWNER'S MANUAL	1
	106574	LITERATURE PACKET	1
	.	106575 OWNER'S MANUAL	1
	.	101508 PULSE EARCLIP	1
	.	054013 CLOTHES CLIP	1
	.	017088 LOCK KNOB	1
	.	014156 LOCK KNOB WASHER	1
	.	105388 UPRIGHT SPACER	1
	.	105458 HARDWARE KIT	1
	.	016028 WRENCH CLIP	1
	.	045010 TOOL CLAMP	1
	.	105722 SIDE RAIL BOLT	1
	.	105477 SIDE RAIL NUT	1
.	.	*--THIS IS AN ESTIMATED	0
.	.	COST!!!!	0