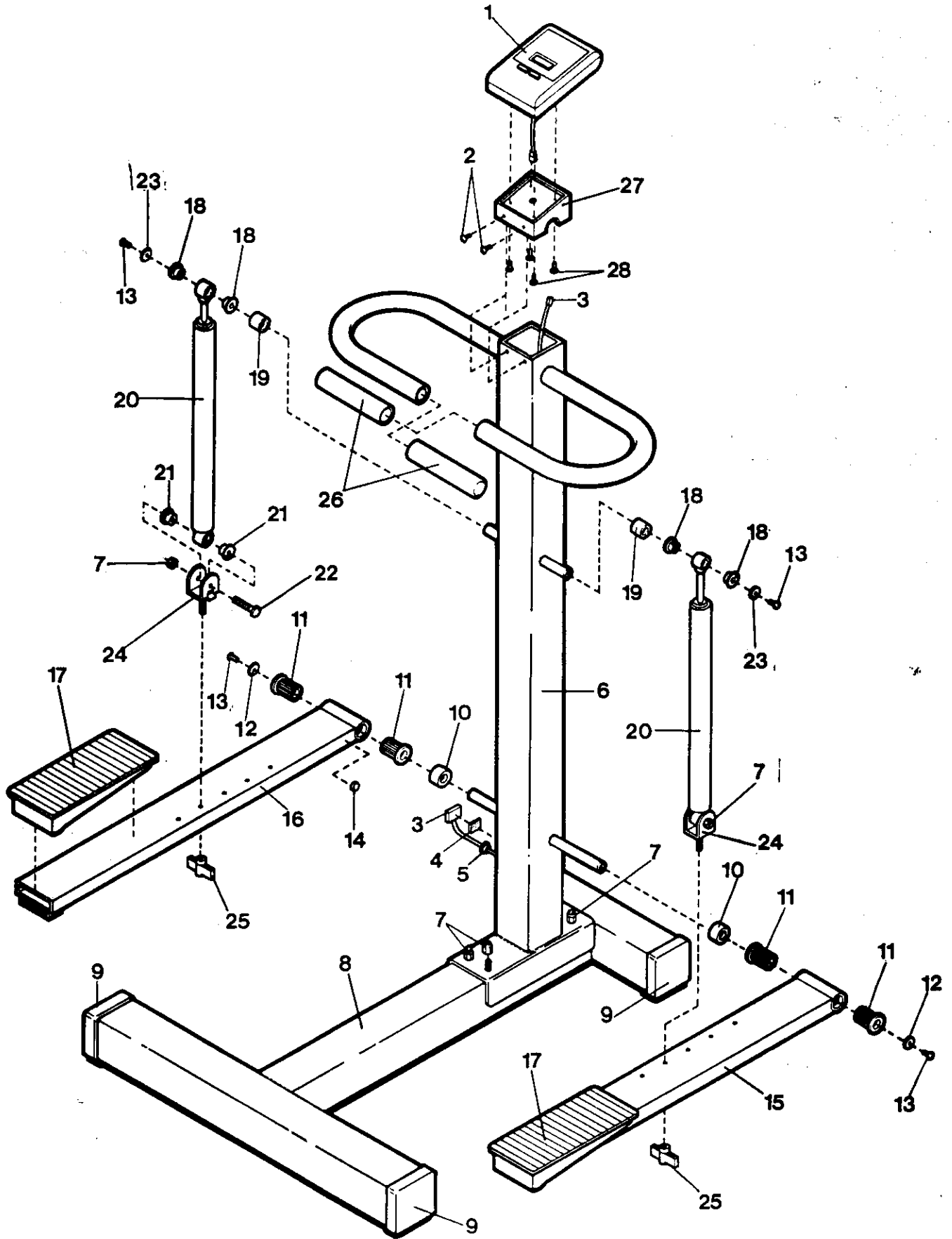


# EXPLODED DRAWING - Model No. PF101010

Rev. 12/91



Specifications are subject to change without notice.

MODEL NUMBER: PF10101  
 VERSION: 00  
 PRODUCT NAME: STEP USA  
 PRODUCT DESC:

MODEL/PART BOOK LISTING

PAGE 1  
 IN1023P1

RUN DATE: 6/11/92  
 RUN TIME: 11:06:44

KEY NUMBER	PART NUMBER	DESCRIPTION	QUANTITY
1	104873	ELECTRONIC MONITOR	1
2	013423	BRACKET SCREW, #8X1/2"	2
3	107945	MONITOR WIRE/FAST. STRIP	1
4	062035	FASTENER STRIP	1
5	104389	SNAP BUSHING	1
6	107638	UPRIGHT W/DECAL	1
	.	104982 UPRIGHT	1
	.	104976 UPRIGHT DECAL	1
7	012108	NYLOCK NUT	6
8	107639	BASE W/DECAL	1
	.	104882 BASE	1
	.	104977 BASE DECAL	1
9	100033	BASE ENDCAP	4
10	100105	PEDAL SPACER	2
11	100048	PEDAL BUSHING	4
12	104188	WASHER	2
13	013244	SCREW, 1/4 X .6"	4
14	100498	MAGNET	1
15	107373	RIGHT PEDAL ASSEMBLY	1
	.	104986 RIGHT PEDAL	1
	.	106974 PEDAL DECAL	1
	.	106147 PEDAL COVER ASSY.	1
16	107374	LEFT PEDAL ASSEMBLY	1
	.	104984 LEFT PEDAL	1
	.	106974 PEDAL DECAL	1
	.	106147 PEDAL COVER ASSY.	1
17	106147	PEDAL COVER ASSEMBLY	2
	.	102911 PEDAL COVER	1
	.	105884 DOUBLESTICK TAPE	2
18	100234	UPPER CYLINDER BSHG SET	2
19	100052	CYLINDER SPACER	2
20	105445	RESISTANCE CYLINDER	2
21	100256	LOWER CYLINDER BSHG SET	2
22	104063	BRACKET BOLT, 3/8"X1.75"	2
23	014129	CYLINDER WASHER	2
24	106052	CYLINDER BRACKET	2
25	100108	BRACKET KNOB	2
26	104899	HANDLEBAR GRIP	2
27	104872	MONITOR BRACKET	1
28	013516	MONITOR SCREW, #4X3/8"	4
#	104976	UPRIGHT DECAL	1
#	104977	BASE DECAL	1
#	106974	PEDAL DECAL	2
#	104988	OWNERS MANUAL	1
	104989	LITERATURE PACKET	1
	.	104988 OWNERS MANUAL	1
	.	012108 NYLOCK NUT	4
	.	013423 SCREW, #8 X 1/2"	2