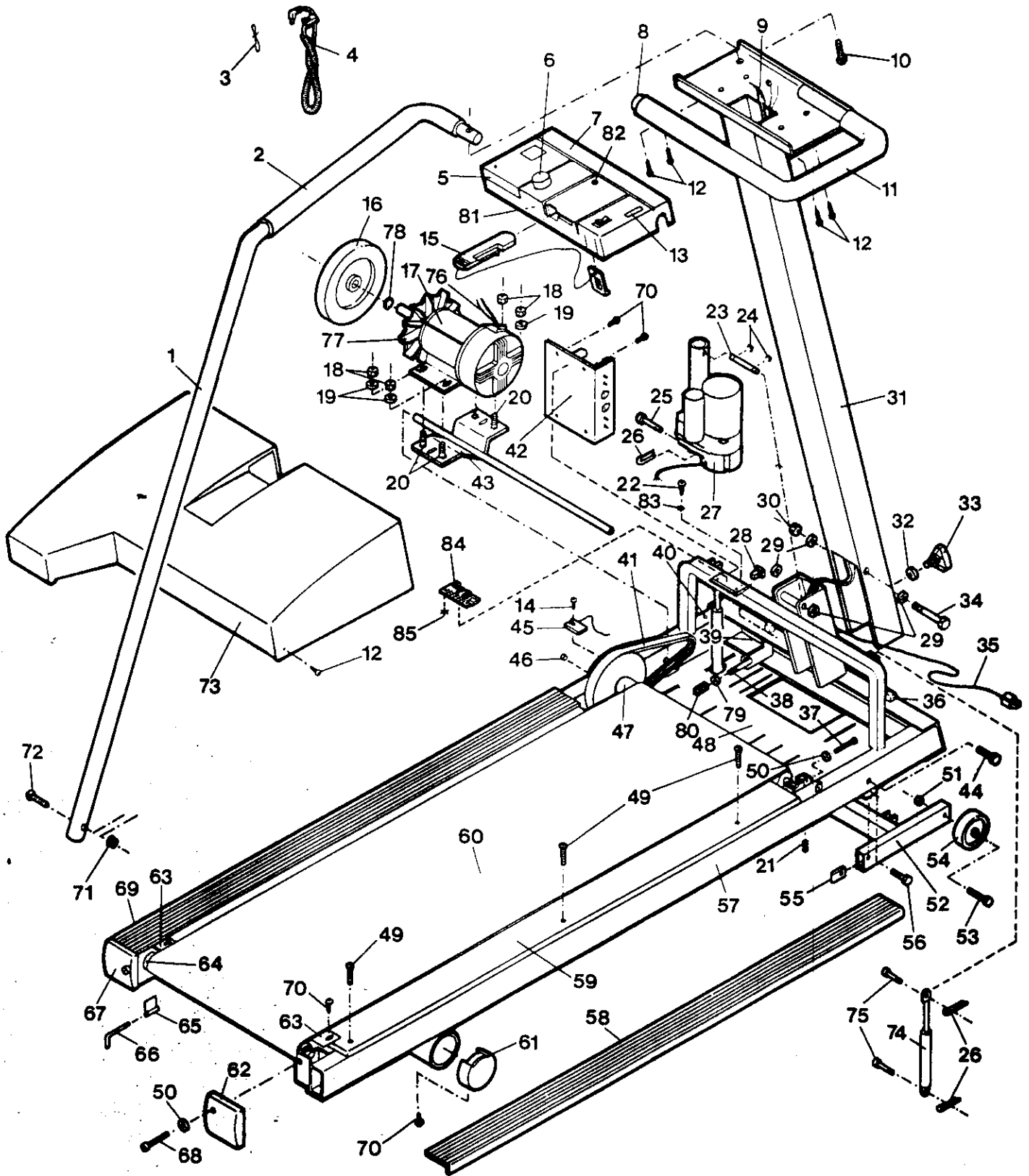


EXPLODED DRAWING—Model No. PF102220

Rev. 4/92

Specifications are subject to change without notice.



MODEL NUMBER: PF10222
 VERSION: 00
 PRODUCT NAME: PROFORM 10.0 TPI
 PRODUCT DESC:

MODEL/PART BOOK LISTING

PAGE 1
 INI023P1
 RUN DATE: 9/19/96
 RUN TIME: 9:38:30

KEY NUMBER	PART NUMBER	DESCRIPTION	QUANTITY
1	105538	SIDE RAIL W/FOAM GRIP	1
	.	104651 SIDE RAIL	1
	.	103423 FOAM GRIP	1
2	103423	SIDE RAIL FOAM GRIP	1
3	054013	CLOTHES CLIP	1
4	119946	PULSE/CLOTHES CLIP ASSY.	1
5	108408	ELECTRONIC MONITOR	1
6	100014	SPEED CONTROL KNOB	1
7	108407	CONSOLE ASSEMBLY	1
8	040119	HANDRAIL ENDCAP	1
9	108242	WIRE HARNESS	1
10	104634	SHORT SIDE RAIL BOLT, 1"	1
11	041042	HANDRAIL FOAM GRIP	1
12	108404	CONSOLE SCREW/HOOD SCREW	8
13	088001	INCLINE INDICATOR	1
14	013300	REED SWITCH SCREW	1
15	070853	SAFETY KEY/CLIP	1
16	104644	PULLEY/FLYWHEEL	1
17	114971	MOTOR ASSEMBLY	1
17A	114971	MTR/PULY/FLY/FAN ASSEMBLY	1
18	012082	MOTOR MOUNT NUT	4
19	101630	MOTOR MOUNT WASHER	3
20	013445	MOTOR MOUNT BOLT	3
21	104623	PLASTIC FASTENER	12
22	013423	GROUNDING SCREW	3
23	015047	MOTOR MOUNT PIN	1
24	054016	E-CLIP	2
25	101639	MOTOR PIN	1
26	106334	COTTER PIN	5
27	NLA	INCLINE MOTOR	1
28	109382	CIRCUIT BREAKER	1
29	014079	PIVOT WASHER	4
30	012081	PIVOT NUT	1
31	102206	UPRIGHT POST	1
32	014156	LOCK KNOB WASHER	1
33	017088	LOCK KNOB	1
34	013368	PIVOT BOLT	1
35	031229	POWER CORD	1
36	008148	HOOD MOUNT ANCHOR	4
37	013275	FRONT ROLLER ADJ. BOLT	1
38	103855	J-BOLT	1
39	019084	GROMMET	1
40	016055	WIRE CLIP	5
41	025063	BELT	1
42	031173	CONTROLLER	1
43	100582	MOTOR MOUNT SHAFT	1
44	104624	SHAFT BOLT	2
45	115569	SENSOR WIRE/REED SWITCH	1
46	100498	SENSOR MAGNET	1
47	022059	FRONT ROLLER/PULLEY ASSY.	1
48	108213	SAFETY COVER	1
49	100691	PLATFORM SCREW	6
50	014127	ADJUSTMENT WASHER	3
51	012108	WHEEL NUT	2

MODEL NUMBER: PF10222
 VERSION: 00
 PRODUCT NAME: PROFORM 10.0 TPI
 PRODUCT DESC:

MODEL/PART BOOK LISTING

PAGE 2
 INI023P1

RUN DATE: 9/19/96
 RUN TIME: 9:38:30

KEY NUMBER	PART NUMBER	DESCRIPTION	QUANTITY
52	108214	INCLINE LEG	1
53	103045	WHEEL MOUNTING BOLT	2
54	052014	WHEEL	2
55	012179	U-NUT	2
56	013303	INCLINE LEG BOLT	2
57	NSP	FRAME	1
58	107408	RIGHT FOOT RAIL	1
59	124571	WALKING PLATFORM	1
.	.	NOTE: THIS ASSEMBLY HAS	0
.	.	BEEN CHANGED FROM THE	0
.	.	ORIGINAL WAXED BOARD	0
60	123827	WALKING BELT ASSEMBLY	1
.	.	123824 WALKING BELT	1
.	.	127860 NAIL	12
.	.	110585 REPLACEMENT INSTR.	1
61	040156	REAR LEG ENDCAP	2
62	100731	RIGHT ENDCAP	1
63	010206	ROLLER GUARD	2
64	022043	REAR ROLLER	1
65	016028	TOOL CLAMP	1
66	045010	ALLEN WRENCH	1
67	100730	LEFT ENDCAP	1
68	013206	REAR ROLLER ADJ. BOLT	2
69	107407	LEFT FOOT RAIL	1
70	013162	SCREW	6
71	105477	SIDE RAIL NUT	1
72	105722	LONG SIDE RAIL BOLT, 3"	1
73	108409	MOTOR HOOD W/DECAL *	1
.	.	100642 MOTOR HOOD	1
.	.	108217 MOTOR HOOD DECAL	1
74	043012	INCLINE SHOCK	2
75	015046	SHOCK MOUNTING PIN	4
76	031237	MOTOR CONNECT WIRE	1
77	031226	MOTOR FAN	1
78	102603	FAN PUSHNUT	1
79	014041	TENSION WASHER	1
80	104514	TENSION SPRING	1
81	031122	SPEED CONTROL ASSEMBLY	1
82	033161	POWER INDICATOR LIGHT	1
83	014157	GROUND WASHER	2
84	105988	LIFT BOARD	1
85	015071	PLASTIC CLIP	4
.	.	NON-ILLUSTRATED PARTS:	0
#	033023	BATTERY (9 VOLT)	1
#	033091	BATTERY COVER (SNAP-ON)	1
#	108217	MOTOR HOOD DECAL	1
#	089035	MONITOR OPERATION GUIDE	1
#	108218	OWNER'S MANUAL	1
.	108219	LITERATURE PACKET	1
.	.	108218 OWNER'S MANUAL	1
.	.	089035 MON. OPER. GUIDE	1
.	.	101508 PULSE EARCLIP	1
.	.	054013 CLOTHES CLIP	1
.	.	017088 LOCK KNOB	1

MODEL NUMBER: PF10222
VERSION: 00
PRODUCT NAME: PROFORM 10.0 TPI
PRODUCT DESC:

MODEL/PART BOOK LISTING

PAGE 3

INI023P1
RUN DATE: 9/19/96
RUN TIME: 9:38:30

KEY NUMBER	PART NUMBER	DESCRIPTION	QUANTITY
.	.	014156 LOCK KNOB WASHER	1
.	.	106843 HARDWARE KIT	1
.	.	016028 TOOL CLAMP	1
.	.	045010 ALLEN WRENCH	1
.	.	105722 3" SDRAIL BOLT	1
.	.	104634 1" SDRAIL BOLT	1
.	.	105477 SIDERAIL NUT	1
.	.	*--THIS IS AN ESTIMATED COST!!!!	0 0