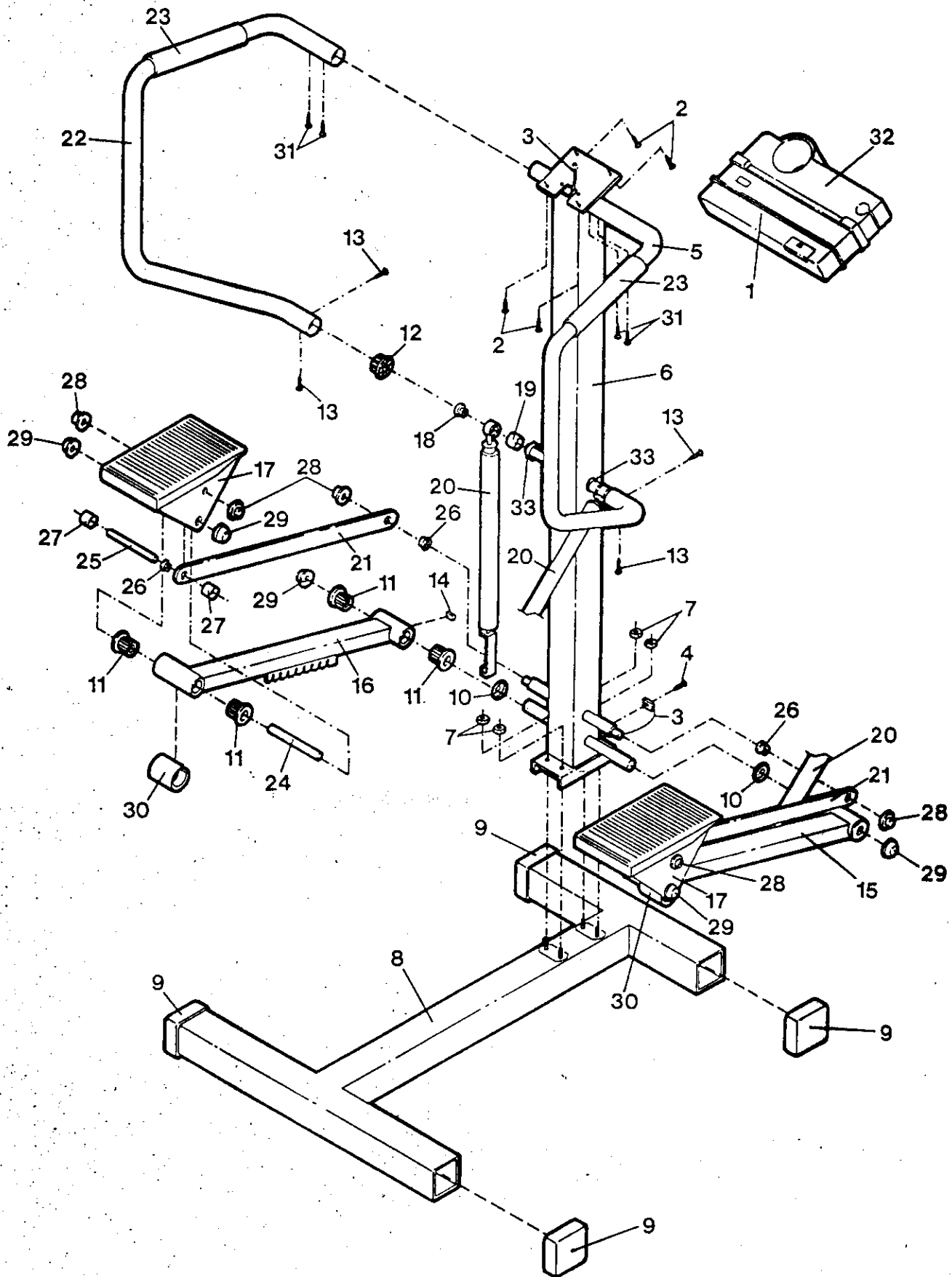


EXPLODED DRAWING—Model No. PF103020

Rev. 11/92



MODEL NUMBER: PF10302
 VERSION: 00
 PRODUCT NAME: PROFORM FREE STEP
 PRODUCT DESC:

MODEL/PART BOOK LISTING

RUN DATE: 2/17/94
 RUN TIME: 10:49:13

KEY NUMBER	PART NUMBER	DESCRIPTION	QUANTITY
1	109038	CONSOLE	1
2	013510	CONSOLE SCREW	4
3	106115	SENSOR WIRE/REED SWITCH	1
4	013300	REED SWITCH SCREW	1
5	110833	RIGHT HANDRAIL ASSEMBLY *	1
	.	109201 RIGHT HANDRAIL	1
	.	103956 FOAM GRIP	1
	.	103625 BUSHING	1
6	111377	UPRIGHT W/DECAL *	1
	.	109183 UPRIGHT	1
	.	105875 UPRIGHT DECAL	1
7	012108	NYLOCK NUT	4
8	109179	BASE	1
9	109204	BASE ENDCAP	4
10	105101	PEDAL ARM SPACER	2
11	100048	PEDAL ARM BUSHING	8
12	103625	HANDRAIL BUSHING	2
13	102690	AXLE SCREW	4
14	109763	MAGNET	1
15	110836	RIGHT PEDAL ARM ASSEMBLY*	1
	.	109193 RIGHT PEDAL ARM	1
	.	109219 DECAL	1
	.	100048 BUSHING	2
	.	100150 HAT AXLECAP, 1/2"	3
	.	103735 DOME AXLECAP, 3/4"	3
	.	111374 CONSUMER NOTICE	1
16	110835	LEFT PEDAL ARM ASSEMBLY *	1
	.	109191 LEFT PEDAL ARM	1
	.	109219 DECAL	1
	.	100048 BUSHING	2
	.	100150 HAT AXLECAP, 1/2"	3
	.	103735 DOME AXLECAP, 3/4"	3
	.	111374 CONSUMER NOTICE	1
17	111375	PEDAL ASSEMBLY *	2
	.	109009 PEDAL	1
	.	100150 HAT AXLECAP, 1/2"	3
	.	103735 DOME AXLECAP, 3/4"	3
	.	111374 CONSUMER NOTICE	1
18	109399	RESIST. CYLINDER BSHG. *	4
19	109197	CYLINDER SPACER	2
20	112505	RESIST. CYLINDER W/DECAL	2
	.	109398 RESIST. CYLINDER	1
	.	109591 DECAL	1
21	111376	LINK ARM ASSEMBLY *	2
	.	103675 LINK ARM	1
	.	100150 HAT AXLECAP, 1/2"	3
	.	103735 DOME AXLECAP, 3/4"	3
	.	111374 CONSUMER NOTICE	1
22	110832	LEFT HANDRAIL ASSEMBLY *	1
	.	109199 LEFT HANDRAIL	1
	.	103956 FOAM GRIP	1
	.	103625 BUSHING	1
23	103956	HANDRAIL FOAM GRIP	2
24	103902	PEDAL ARM AXLE	2

MODEL NUMBER: PF10302
 VERSION: 00
 PRODUCT NAME: PROFORM FREE STEP
 PRODUCT DESC:

MODEL/PART BOOK LISTING

RUN DATE: 2/17/94

RUN TIME: 10:49:13

KEY NUMBER	PART NUMBER	DESCRIPTION	QUANTITY
25	105091	LINK ARM AXLE	2
26	103677	LINK ARM BUSHING	4
27	109196	LINK ARM SPACER	4
28	100150	HAT AXLECAP, 1/2"	6
29	103735	DOME AXLECAP, 3/4"	6
30	105433	BUMPER	2
31	013423	HANDRAIL SCREW	4
32	109039	ACCESSORY TRAY *	1
33	108668	SMALL CYLINDER SPACER	2
.	.	NON-ILLUSTRATED PARTS:	0
A	109591	RESISTANCE CYLINDER DECAL	2
B	104838	GREASE	0
C	110842	BATTERY COVER *	1
D	105875	UPRIGHT DECAL	1
E	109302	OWNER'S MANUAL	1
.	109292	LITERATURE PACKET	1
.	.	109302 OWNER'S MANUAL	1
.	.	109591 RESIST CYL DECAL	1
.	.	109263 HARDWARE KIT	1
.	.	105101 PEDAL SPACER	2
.	.	103735 3/4" AXLECAP	2
.	.	100150 1/2" AXLECAP	2
.	.	012108 NUT	4
.	.	013300 REED SWITCH BOLT	1
.	.	013510 CONSOLE SCREW	4
.	.	109197 CYL. SPACER	2
.	.	108668 SMALL CYL. SPCR	2
.	.	104838 GREASE	1
.	.	*--THESE ARE ESTIMATED	0
.	.	COSTS!!!!	0